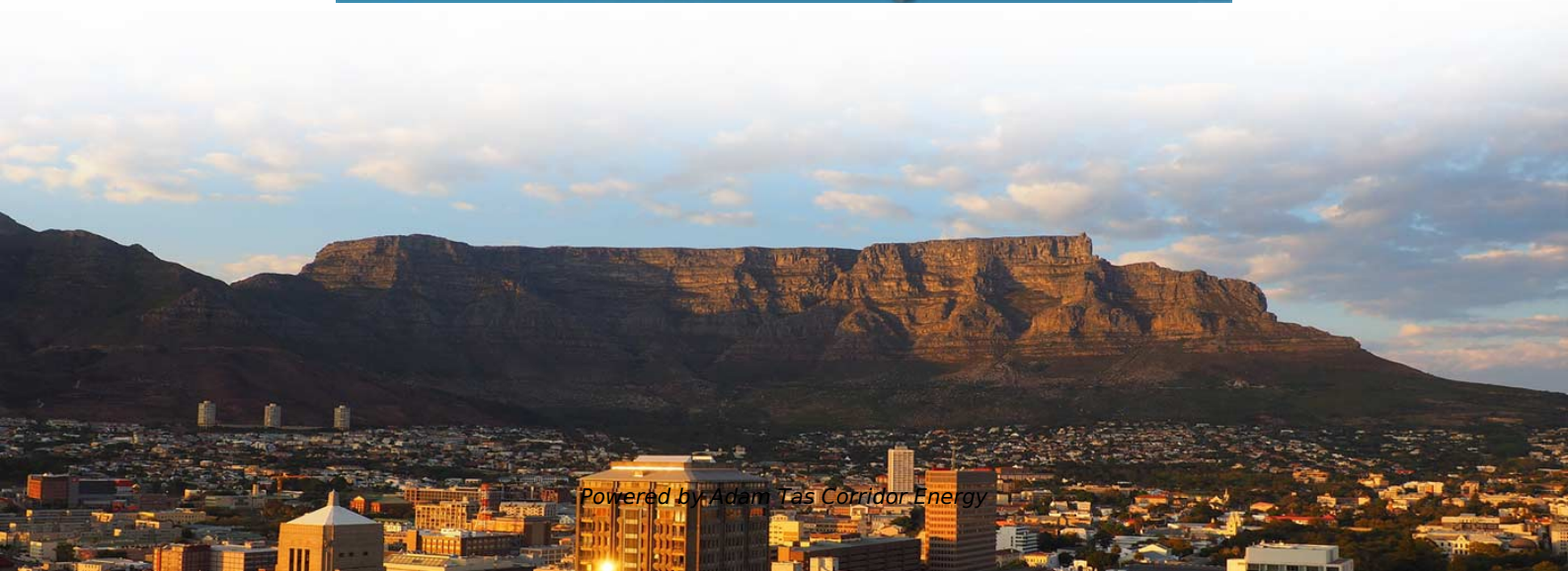




Adam Tas Corridor Energy

Moldova 10 Gigabit Optical Port Module





Moldova 10 Gigabit Optical Port Module

Optical Transceivers

Optical transceivers have revolutionized data transmission, providing high-speed, long-distance, and secure data transmission capabilities. Optical transceivers



Dahua GSFP-1310T-20-SMF Reliable Gigabit Optical

Dahua GSFP-1310T-20-SMF Gigabit Optical Module, Single mode single fiber, LC port 1310 nm sending, and 1550 nm receiving, Trans up to 20 km



Inventory Of 10G Optical Modules

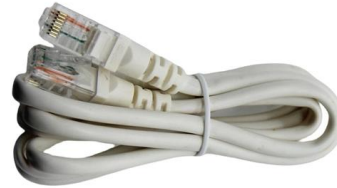
SFP+ optical modules are widely used in 10G Ethernet due to their advantages of compact size, low cost and high density, and they are currently the most common 10G optical

HORACO 10G SFP+ Module 10GbE Copper SFP

Buy HORACO 10G SFP+ Module 10GbE Copper SFP Modules Optical Port Turn to RJ45 Ethernet



Port Gigabit 1000M Transceiver Module at Aliexpress for . Find



10 Gigabit Multimode SFP+ Fiber Optic Transceivers , High-Speed

These SFP+ modules are designed for 10 Gigabit Ethernet and are equipped with LC duplex connectors, ensuring compatibility with most multimode fiber optic systems.



SFP+ Optical Transceiver Modules (10G-SR/LR)

Genuine Amphenol 10GBASE-SR SFP+ Optical Transceiver Modules provide a high-density, high-performance interface for 10-Gigabit Ethernet and Fibre Channel



10G SFP+ Cable and Transceiver Modules Data Sheet

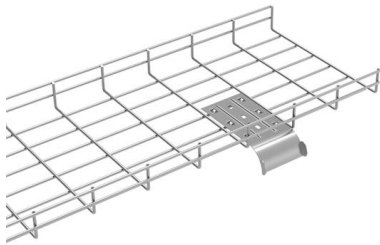
Product overview The FS® 10GBASE Quad Small Form-Factor Pluggable (SFP+) portfolio offers customers a wide variety of high-density and low-power 10 Gigabit Ethernet connectivity options for





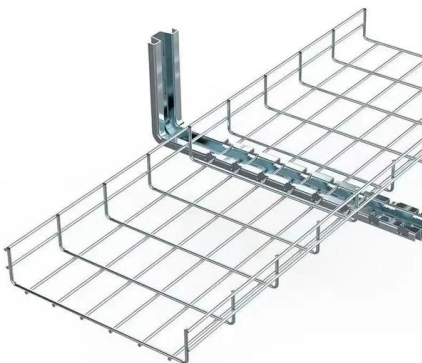
10 Gigabit Fiber SFP+ Optical Transceiver Module

10 Gigabit Connectivity Intellinet Network Solutions 10GBase-LR Fiber SFP+ Optical Transceiver Module, model 507479, is the right choice when it comes to



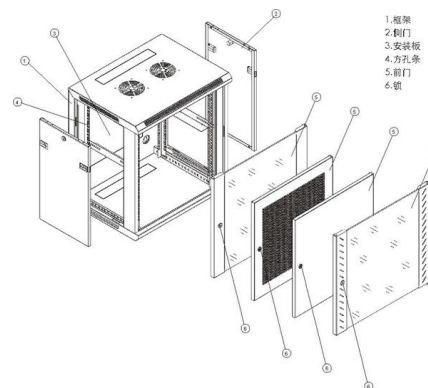
10 Gigabit Fiber SFP+ Optical Transceiver Module

10G SFP+ Optical Module is a type of SFP+ transceiver that supports 10 Gigabit per second (10Gbps) data rates and is an enhanced version of the



Dahuasecurity

Hier sollte eine Beschreibung angezeigt werden, diese Seite lässt dies jedoch nicht zu.



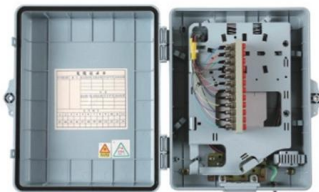
Optical Transceivers Manufacturer

10Gtek® is a trusted supplier of optical transceivers, who researches, designs, manufactures and markets optical transceivers for various applications & data rate.



10G Multi-Mode Optical Module

SFP+ transceiver that supports 10G connections up to 300 m using multi-mode fiber with a duplex LC UPC connector.



10 Gigabit Fiber SFP+ Optical Transceiver Module

This 10 Gigabit Fiber SFP+ Optical Transceiver Module supports standard digital diagnostics monitoring (DDM) functions, also known as digital optical monitoring (DOM). This lets you monitor parameters of

Cisco 10GBASE SFP+ Modules Data Sheet

The Cisco 10GBASE SFP+ modules give you a wide variety of 10 Gigabit Ethernet connectivity options for data center, enterprise wiring closet, and



10 Gigabit Fiber SFP+ Optical Transceiver Module

This gives the user the ability to monitor parameters of the SFP, such as optical output power, optical input power, temperature, laser bias current, and



Dahua GSFP-1310T-20-SMF Gigabit Optical Module

The Dahua GSFP-1310T-20-SMF is a gigabit optical module with LC port, single fiber design, and 20 km range for reliable long-distance CCTV connectivity.



Gigabit SFP optical transceiver modules

Gigabit SFP optical transceiver modules In December 2017, Aruba introduced Revision D versions of 100M, 1G, and 10G transceivers. Revision D products are structured to be specific alternative



Intellinet 507462 10 Gigabit Fiber SFP+ Optical

Digital Diagnostics Monitoring (DDM) The Intellinet Network Solutions 10 Gigabit Fiber SFP+ Optical Transceiver Module (model 507462) supports standard digital





Dahua, Gigabit Optical Module, Transmission distance up to 20 km,

Features: Single mode single fiber LC port , 1310 nm sending, and 1550 nm receiving , Transmission distance up to 20 km ,

Quad Port 10G SFP+ Network Card

Quad Port 10G SFP+ Network Card - Intel XL710
Open SFP+ Converged Adapter - PCIe 10 Gigabit
Ethernet Server NIC - 10GbE Fiber Optic LAN
Card - Dell



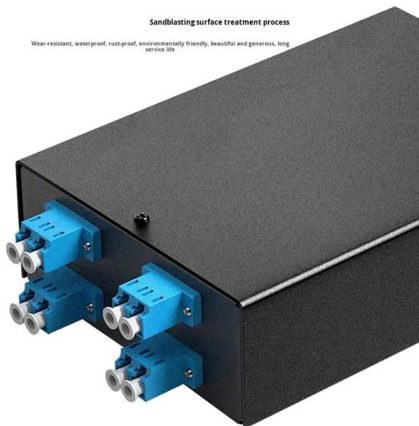
10G SFP+ Optical Transceiver Selection Guide

10G SFP+ Modules are essential components in high-speed network environments such as data centers, enterprise backbones, and telecom



SFP Modules

Moxa's small form-factor pluggable transceiver (SFP) Ethernet fiber modules provide 10 Gigabit, Gigabit, and Fast Ethernet in order to ensure coverage across a range



K6097: Specifications of the Fiber Gigabit Ethernet SFP, XFP, SFP+

The following specifications are for the available Fiber Gigabit Ethernet modules and the platforms that support those modules. Important: The end user must ensure suitability of both the

Cisco 10G Routed PON ONT Data Sheet

Offering multiple business broadband and voice port options, the ENC-10G-ONT-14A is the ideal ONT solution for providing access and service diversity spanning the residential, MDU,



10 Gigabit Fiber SFP+ Optical Transceiver Module

10 Gigabit Connectivity Whether you need a fast connection to your 10 GbE equipped server or NAS device, or if you simply want to connect two Gigabit switches in your data center at higher speeds to



10G SFP+ Optical Transceivers , Transceiver Module

FS 10GbE SFP+ module solutions provide a wide variety of 10 Gigabit Ethernet connectivity options for data centers, enterprise wiring closets, Internet Service



10GE SFP+ Optical Modules

OMXD30000 OSX010000 OSX040N01
OSXD22N00 SFP-10G-BXD1 SFP-10G-BXU1
SFP-10G-ER-1310 SFP-10G-ER-SM1270-BIDI
SFP-10G-ER-SM1330-BIDI SFP-10G-LR-I SFP-10G-
USR SFP-10G

Inventory Of 10G Optical Modules

The 10G electrical port module is an electro-optical conversion module packaged in SFP+ form factor, with an RJ45 interface. It is usually used with Cat6A or Cat7 network patch cords,



Intellinet 10 Gigabit Fiber SFP + (LC) Multi-Mode Optical

10 Gigabit Fiber SFP + (LC) Multi-Mode Optical Transceiver Module The new line of Intellinet Enhanced Small Form Factor Pluggable (SFP)



Contact Us

For datasheets, pricing, or custom telecom energy solutions, please visit:
<https://koskolong.co.za>