



Adam Tas Corridor Energy

Myanmar Waterproof and Explosion-proof Electrical Distribution Box Company





Myanmar Waterproof and Explosion-proof Electrical Distribution Box

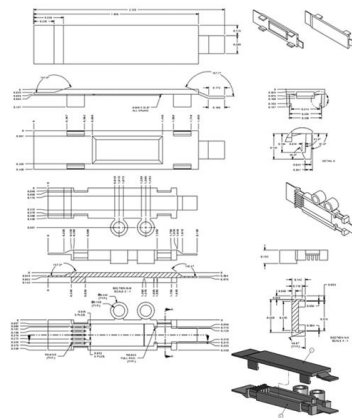
EXPLOSION-PROOF ENCLOSURES

SME Electric Sdn. Bhd. (111489-W) 22, Jalan TPP 6/3, Taman Perindustrian 6 & 7, 47100 Puchong, Selangor Darul Ehsan, Malaysia.



Waterproof Distribution Box , IP65 Plastic DIN Rail

Each enclosure delivers dependable IP65-IP68 sealing for outdoor and industrial use, with options for plastic waterproof distribution box housings and DIN rail



Waterproof Distribution Box

Our products boast customizable materials and dimensions, ensuring a tailored experience. With a range of materials to choose from and the ability to adjust

Explosion-proof illumination (power) distribution box (power)

3. Adopting the patented technology of the combined explosion-proof distribution box



independently developed, the modular design and combination of the distribution box makes the whole distribution



Engineering Company in Myanmar, KSLM Engineering

Our company is more involved in electrical distribution, transmission, electrification, installation and commissioning. All projects are carried out under the strict



Explosion-Proof Electrical Distribution Boxes: Applications in

Find out how explosion-proof electrical boxes keep people and equipment safe in risky environments like oil, gas, and chemical industries !



Ex-Proof Products

We are dedicated company providing explosion proof products in Myanmar. We provide products from "WAROM TECHNOLOGY", which is the the largest Ex





Metal Enclosures, Cabinets & Box Manufacturer

Metal Enclosures, Cabinets & Box Manufacturer Saipwell is a professional company dedicated to producing high-quality waterproof electrical enclosures. Our



Explosion Proof Electrical Equipment, ATEX Lighting , Supermec

It's cool to be safe Your Electrical & Explosion Proof specialist, and manufacturer of the complete range of ATEX and IECEx compliant Ex-proof electrical equipment for use in Zone 1 and Zone 2, such as



Waterproof Distribution Box (IP65-IP68)

Explore our curated selection of waterproof distribution box models from the AT and HT series. Each enclosure delivers dependable IP65-IP68 sealing for outdoor

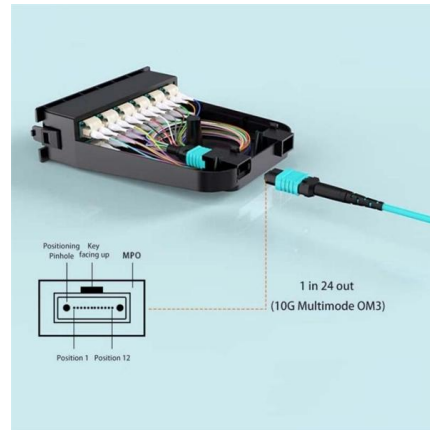
About Us - PanelZelectric

Panel Z Electric Co.,Ltd was incorporated in 2018 and enter into areas of fabricating electrical switchboards, distribution boards, control panels, HV switch gear panels



Energy Distribution

BARTEC offers one of the most extensive ranges of explosion-proof and substance-resistant components, devices, and systems for controlling, switching, and



Explosion proof Distribution Boxes HLDP03-M Malaysia

Explosion proof Distribution Boxes HLDP03-M Malaysia Zone 1 and Zone 2 Zone 21 and Zone 22 Meet the necessities in the following industries, such as petroleum,



Ex-Proof Products

We provide products from "WAROM TECHNOLOGY", which is the the largest Ex-Proof Product manufacturing base in China, and sells products to more than 50





Explosion proof Power Distribution Panel Box

Power Distribution panel box - Hazardous locations for explosive gas mixtures: Zone 1 and Zone 2. Explosive gas mixtures: Class IIA, IIB, and IIC.

Waterproof Socket Box Maintenance Power Portable Industrial Explosion

The company's main business scope includes explosion-proof lights, LED series lights, fixed lights, portable lights, explosion-proof boxes, explosion-proof fans and other explosion-proof electrical



ZZAM Electric Co., Ltd.

ZZAM Electric Co., Ltd was incorporated in 2018 and enter into areas of fabricating electrical switchboards, distruction boards, control panels, HV switch gear panels

Explosion Proof Distribution Box & Electrical Enclosures

Durable Hexlon Explosion Proof Distribution Boxes and Electrical Enclosures, IECEx and ATEX certified for Zone 1 and Zone 2.



Explosion Proof Electrical Enclosures

All related electrical devices can be put inside a flame proof or increased safety enclosure for low-voltage power distribution and control purposes in harsh and



Ex Electrical Equipment

MAM Ex supplies Ex electrical equipment, which include Ex junction box and lighting fixture etc. Our products have high quality and competitive prices.



Circuit Breaker Distribution Box Electrical, Outdoor

MAKERELE IP65 waterproof distribution protection box, made of ABS plastic, and the use of plastic transparent cover is convenient to check the running status of





IEM Myanmar

We are one of the leading International Trading Company and distribution of electrical products and provide various range of Industrial/Engineering Products to our valued customers.



Plastic Dp box IP65 Power Distribution Box Waterproof

IP65 Power Distribution Box - Waterproof Electrical Enclosure The Power Distribution Box is a high-quality IP65-rated waterproof enclosure, designed for



Explosion-proof Distribution Box

China Explosion-proof Distribution Box catalog of Anti-Corrosion Electrical Control Box 6 Holes Aluminum The Explosion-Proof Distribution Box Power Instrument Box Industry Water, Exd lic



Explosion-Proof Lights, Explosion-Proof Junction Box, Explosion-Proof

Our expertise covers a wide array of items, including explosion-proof electrical appliances, lighting fixtures, fittings, fans, as well as products that are anti-corrosion, dust-proof, and waterproof.



Contact Us

For datasheets, pricing, or custom telecom energy solutions, please visit:
<https://koskolong.co.za>