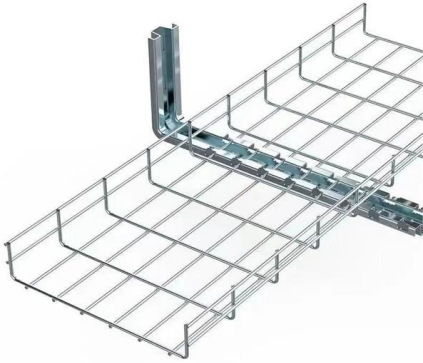




Network cable fiber optic cable pigtail



Fibre Optic Cable

Fibre Optic Cable Fibre optic cable, also known as 'optical fibre cable' is a technology that uses thin strands of glass or plastic to transmit data, including text, sound, and images, in the form of light

Fiber Optic Jumpers, Pigtails & Drop Cables , Multilink

We provide a variety of fiber optic jumpers, pigtails, multi-channel assemblies and drop cable assemblies to help providers expand their networks



Fiber Optic Trunk Cable Assemblies

Our pre-assembled MPO female trunk cable tackles high-density data center network connections and combines multiple fiber optic lines into a single, easy-to-manage

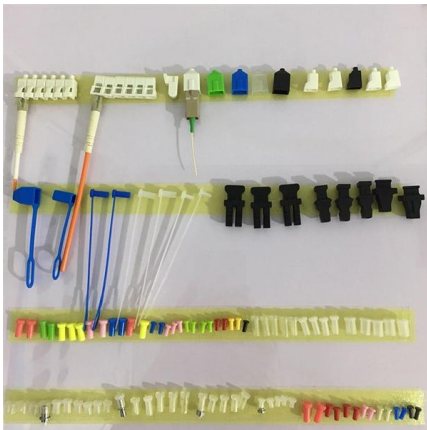


Multimode SC Fiber Pigtail With Simplex Fiber Optic

SC upc multimode fiber pigtail is available,we offer single mode and multimode cable pigtails



with sc/LC/FC/ST/E2000 connector, Free sample in stock!



China Fiber Optic Splice Closure Manufacturers,

Glory Optical Communication Co., Limited: We're well-known as one of the leading fiber optic splice closure, rosette box, fiber terminals, fiber optic cables, fiber

Fiber Optic Cable vs Patch Cord vs Pigtail - Complete Guide

Understand the differences between fiber optic cables, patch cords, and pigtails. Learn standards, applications, and how to choose the right fiber solution



Fiber Patchcord , Single Mode & Multimode Fiber Patch

Fiber Patch Cords are used to connect optical network equipment, patch panels, and fiber distribution systems across data center, telecom, and enterprise



Network Cable, Power Cord, USB, HDMI, Fiber Optic

Ensure uninterrupted operations with our robust cabling, power, and network solutions, including high-speed fiber optic cables. Our extensive product range

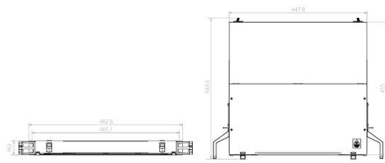
Product Photography



Component Diagram



Key dimensions



Fiber Optic Pigtail

To ensure secure, flexible, and efficient connections, fiber pigtails play a crucial role in terminating fiber optic cables and connecting them to network equipment,

SC/APC FTTH Drop Cable Pigtail with G657A1 Fiber and LSZH Black

SC/APC FTTH Drop Cable Pigtail, SM G657A1, 5.0*2.0mm, LSZH Black Jacket Product Overview
This Fast Connect drop cable features an anti-vibration design for plug-and-play deployment, enabling



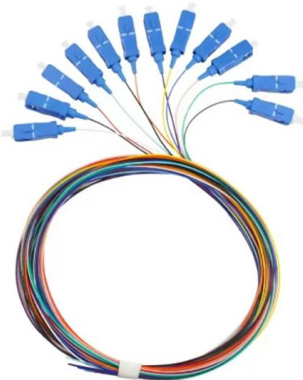
Fiber Optic Cables , Corning

With 2 billion kilometers of fiber optic cables installed around the globe, Corning continues to lead the industry in product quality and innovation.



Bulk Fiber Optic Cables for Internet , CableWholesale

Our Ethernet fiber optic converters are great for converting signals between Ethernet and fiber optic-based networks. CableWholesale also offers dust caps, network couplers, and additional parts. Buy



Fiber Optic Pigtail: The Backbone of Your Network

Master fiber optic pigtail for robust network infrastructure. Learn about single-mode vs multi-mode, splicing, and connector types to optimize performance.

Online Bulk Cable Company , CableWholesale

Electrical Tools & Accessories USB-3.1 Cables & Accessories Copper/Fiber Network, USB, Mobile/Apple, HDMI & Home Theater Cables As a leading bulk cable company, CableWholesale is



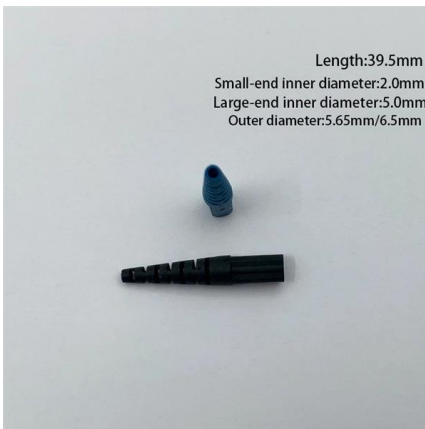


Fiber Optic Cables

Fiber Optic Cables, Adaptors, & Accessories Our extensive offering of fiber optic cables, connectors, cassettes, enclosures, patch cords, cable assemblies, cable

Fiber optics patch cable, Fiber optics patch cord

DIAMOND OLiD patch cables and pigtails are based on FBG (Fibre Bragg Grating) technology and are suitable for permanent installation in P2P fibre optic networks.



What Are Fiber Optic Pigtails? Types, Uses, and How to Choose the

These small but critical components play a major role in ensuring reliable, high-speed data transmission across fiber networks. In this guide, we'll break down what fiber optic pigtails are, how they work,

SM G652D Fiber Optic Pigtail with Cable Outer Diameter 0.9mm

SM G652D Fiber Optic Pigtail with Cable Outer Diameter 0.9mm 2.0mm 3.0mm Customized Perfect Applications in Data Centers Product Description: The fiber optic pigtail is an essential component in



Ethernet Cables Types: Cat 3, 5, 5e, 6, 6a, 7, 8 Wires

This tutorial explains the Definition of ethernet cables, ethernet cable types, shielded cables, and Ethernet cables categories like Cat 3, 5, 5E, 6, 6a, 7,



What Is a Fiber Optic Pigtail? Full Guide to Pigtail Fiber

Comprehensive guide to fiber optic pigtails: Explore types, pigtail connectors, fiber counts, and applications for FTTH, data centers, industrial



Fiber Optic Pigtail: The Complete Guide to Types, Splicing Methods

Executive Summary: A fiber optic pigtail is one of the most commonly specified yet least understood components in structured cabling. Get the wrong connector type, the wrong polish, or





Building Cabling Fiber Optic Cables: Indoor Network

Zion Communication offers a complete range of indoor fiber optic cables for structured building cabling. From single-core to multi-core formats, our



Fiber Optic Networking Pigtails , Ethernet Cable Wiring

These pigtails are typically used to connect fiber optic cables to networking equipment, such as switches or routers. At PowerFluxCables, we offer a wide

What is the Role of LC Pigtails in Fiber Optic Networks?

The manufacturing process typically involves:
Fiber Selection: The appropriate fiber optic cable type (single-mode or multi-mode) is chosen based



Cost of Fiber Optic Cable: Pricing Guide (2026)

Discover the cost of fiber optic cable in this pricing guide. Learn material prices, installation factors, and what impacts total project costs overall.



The Difference Between Fiber Pigtails and Fiber Optic

Explore the differences between fiber pigtails and fiber optic cables in this article. Learn how they are used and distinguished, and discover the



Fiber pigtails: buy online at EFB-Elektronik

From fiber optic pigtails to patch cables - visit our online shop and buy fiber pigtails, patch cables and pre-terminated fiber optic cables with all common fiber optic

Fiber Optics Terminology Explained: Cable, Patch Cord, Pigtail,

2. Fiber Optic Cable (The Physical Infrastructure)
A fiber optic cable is the physical transmission medium containing one or multiple optical fibers protected by layers of strength





Contact Us

For datasheets, pricing, or custom telecom energy solutions, please visit:
<https://koskolong.co.za>