



**Adam Tas Corridor Energy**

# **New Type of Fiber Optic Cable Laying Stand for Power Network**





## New Type of Fiber Optic Cable Laying Stand for Power Network

---



### Fiber Optic Cable Splicing Explained

Splicing in optical fiber is the joining two fiber optic cables together. There are 2 methods of cable splicing, mechanical or fusion.

### Fiber-optic Cable Market Report: Size, Growth, Trends & Forecast

Fiber-optic Cable Market size was valued at \$ 14 Bn in 2024 and is expected to reach \$ 17.95 Bn by 2032, growing at a CAGR of 21.45% from 2026 to 2032 The report provides key trends, growth



### FOA Standard For Installing Fiber Optic Cable Plants

High Fiber Count Cables: High fiber count cables are flexible ribbon cables which generally have 864 fibers, 1728 fibers, 3456 fibers or up to 6912 fibers. These cables are not designed for pulling but are



### FOA Standard For Installing Fiber Optic Cable Plants

The type of fiber optic cable and the fibers in the cable should be chosen appropriate for the type



of communications system(s) being supported, the type of installation and the environment in which the



## Aerial Fiber Optic Cable Installation Guide: Hardware

In this article, Bonelinks will give you an overall aerial fiber optic cable installation guide. The installation of aerial fiber optic cables can be a complex

## Wire and Cable Market Size Report & Industry Trends,

Wire And Cable Market Size & Share Analysis - Growth Trends and Forecast (2026 - 2031) The Wire and Cable Market Report is Segmented by



## The FOA Reference For Fiber Optics -Outside Plant

Typically, optical fiber cables do not carry electrical power, but the metallic components of a conductive cable are capable of transmitting current. When the



## Citywide Fiber Optic Cable Installation: Methods and

Aerial installation involves placing fiber optic cables over existing power lines. This method leverages existing utility poles, making it a cost-effective



## The FOA Reference For Fiber Optics

Even within communications applications, we have applications that differ widely in usage and in methods of installation. We have "outside plant" fiber optics as used

## Videos Hub Portal - Blog Sharing Platform & Metacafe

Videoshub is a creative platform since 2008 with blogs, videos and a Metacafe archive featuring viral clips, movies, classics and internet favorites.



## Fiber optic cable Market Size, Share & Trends, 2033

Global Fiber Optic Cable Market Size The global fiber optic cable market size was valued at USD 12.55 billion in 2024 and is anticipated to reach USD 13.84 billion in 2025 and USD 30.19



## Optical Fiber Cable Installation Guideline

While fiber optic cables are typically stronger than copper cables, it is still important that the cable maximum pulling tension not be exceeded during any phase of cable installation.

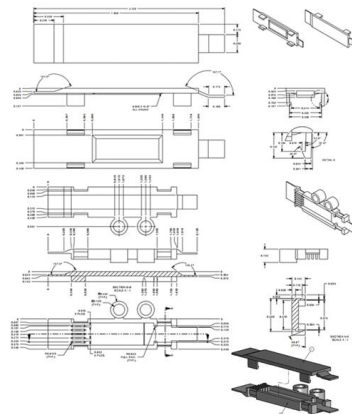


## Underground Fiber Optic Cable Installation: Top 5 Best

Explore expert tips and best practices for underground fiber optic cable installation, ensuring efficiency and reliability. Get insights now!

## How Deep Is Fiber Optic Cable Buried? (2025 Nec Standards & Guide)

Wondering how deep is fiber optic cable buried? We explain the NEC requirements (usually 24-30 inches) and why you need Armored Cable for direct burial projects.





## 6X OTDR Adapter SC Connector Fiber Optic Adaptors for OTDR Tester

150M Fiber Optic OTDR Launch Cable Box  
SC/-LC/ £23.57 FREE Delivery Oculus Link Virtual  
Reality Headset Cable For Quest 2 And Quest 5 M  
(16 Ft) Pc Vr £19.92 FREE Delivery 12V 2A  
Power

## Fiber Technology at Electrical Utilities: Techniques for

This technique takes a small, lightweight fiber optic cable and wraps it around or lashes it to the power line. The cable is called optical power attached cable



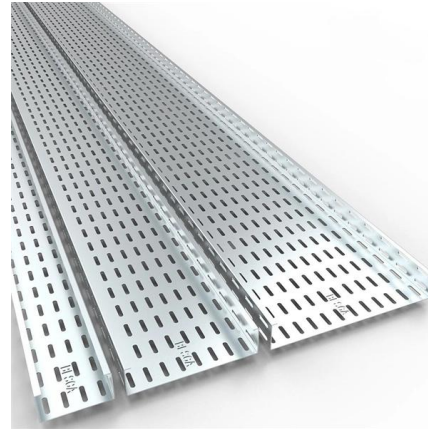
## Case Study: Fiber Optic network installation and

Download Citation , On Oct 19, 2023, Haitham  
Bashar Qasim and others published Case Study:  
Fiber Optic network installation and Monitoring at  
Cihan University-Erbil , Find, read and cite all the



## Master Your Fibre Optic Installation: Step-by-Step Best Practices

This comprehensive guide delves into the intricacies of fiber optic installation, exploring topics ranging from cable types and pre-installation considerations to execution, safety protocols,



## Review of the usage of fiber optic technologies in electrical power

Subsequent sections detail the inception of the first fiber optic networks in Poland and their development over the years, including their reliance on power infrastructure. In the conclusion, the



## OPGW Fiber Optic Cable , Optical Ground Wire for Aerial Networks

Optical Ground Wire is a dual functioning cable, meaning it serves two purposes. It is designed to replace traditional static / shield / earth wires on overhead transmission lines with the added benefit



## Handbook Optical fibres, cables and systems

The main problem was the high losses of optical fibres: fibres available during the 1960s had losses in excess of 1 000 dB/km. A breakthrough occurred in 1970 when the losses could be reduced to below



## Cable Laying Services Selection Guide: Types, Features, Applications

Cable laying services for low voltage (LV), medium voltage (MV), and/or high voltage (HV) lines is often offered by power companies. Fiber optic cables can be blown into ducts and micro-ducts within



## Overhead Fiber Optic Cable Installation Requirements

What's The Overhead Fiber Optic Cable Looks Like? Applications Overhead optical cables are mainly used for secondary trunk lines and below.

## Optical ground wire

Optical ground wire An optical ground wire (also known as an OPGW or, in the IEEE standard, an optical fiber composite overhead ground wire) is a type of cable that is used in overhead power lines.

LoRawan outdoor base station





## OPTICAL FIBRE CABLE APPLICATIONS GUIDELINES

All-Dielectric Self-supporting (ADSS) Optical Fibre Cable for laying on power line alignments - To be installed on the overhead power distribution network up to 33 KV.

## All You Need to Know About the Game-Changing Aerial

There are several kinds of Figure-8 self-supporting aerial fiber cables in the market based on the material and structure of the cable. Various Figure-8



## Submarine Cable System Market Report: Size, Growth,

Submarine Cable System Market Size, Share, Growth, Forecast, By Component Type (Fiber optic cables, Repeaters & equalizers, Branching units, Power feeding

## Fiber Optics For Electrical Utilities

Fiber Optics For Electrical Utilities Electrical utilities have networks used to transmit and distribute electrical power over a large geographic area. In their served areas



## Fiber Optic Installation Requirements: Complete Guide

Learn the different fiber optic cable installation requirements with our expert guide to ensure optimal performance and durability in your network.

## The FOA Reference For Fiber Optics

Just like "wire" which can mean lots of different things - power, security, HVAC, CCTV, LAN or telephone - fiber optics is not all the same. Since all these applications require different installation procedures,



## Contact Us

---

For datasheets, pricing, or custom telecom energy solutions, please visit:  
<https://koskolong.co.za>