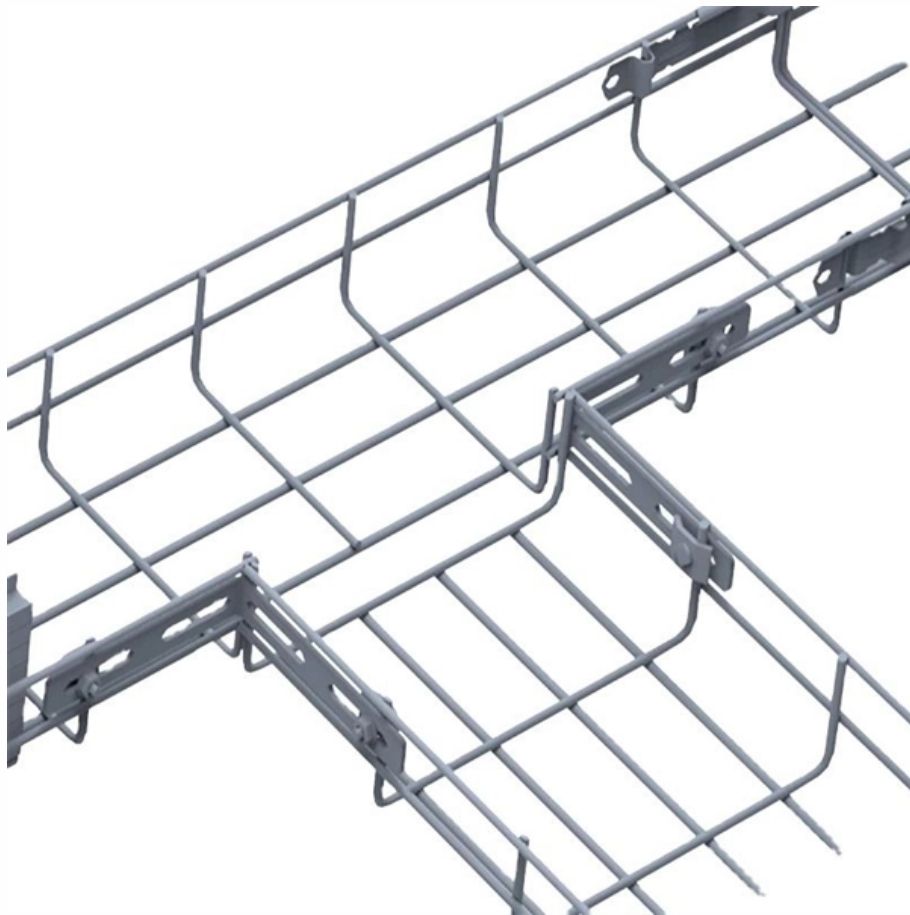




Adam Tas Corridor Energy

North Macedonia Transparent Optical Cable Single Mode





North Macedonia Transparent Optical Cable Single Mode



BendBright-XS Single-Mode Optical Fiber

Draka BendBright-XS fiber combines two attractive features: excellent low macro-bending sensitivity and low water peak level. Together they allow unlimited use of the whole telecom wavelength window for

Fiber Optic Cable Types Explained

Learn all about the differences between single mode and multimode cables, as well as the various fiber wavelengths and standard core sizes used in fiber optics.



Fiber optic cables

See Fiber optic cables na czeni ot 0.08 EUR to 683.91 EUR in ? rlan.mk ? Quality products at HIT prices Order ? online or call ? 0988 216 187

Single Mode vs Multimode Fiber Cable: Guide to Fiber

Single Mode vs Multimode Fiber Cable: Compare core size, bandwidth, distance, cost, and best



use cases to help you choose the right fiber cable for



Fiber Optic Cable Types: Single Mode (SM) vs Multi

Discover the critical differences between Single Mode (SM) and Multimode (MM) Fiber Optic Cables, applications, advantages and disadvantages.



North Macedonia: Singlemode Optical Fiber Cables Market

The report provides a strategic analysis of the singlemode optical fiber cables market in North Macedonia and describes the main market participants, growth and demand drivers, challenges, and



Single mode vs. Multimode fiber optic cables

Transmit data around the globe in a matter of seconds with the help of two types of fiber optic cables: Single mode and Multimode.





Republic of Macedonia Fibre Optic Cable Market (2025-2031)

Republic Of Macedonia Fibre Optic Cable Market
In 2024, the Republic of North Macedonia continued to heavily rely on fiber optic cable imports, with top exporters being China, Germany, Poland,



Single Mode, Duplex, 9/125 (OS2)

[Home > Single Mode Patch Cables > Single Mode, Duplex, 9/125 (OS2)]

Single Mode Fiber: Technological Innovations and

Explore the development trends of single-mode fiber and its promising future. Gain insights into the advancements shaping OS2 optical fiber technology,



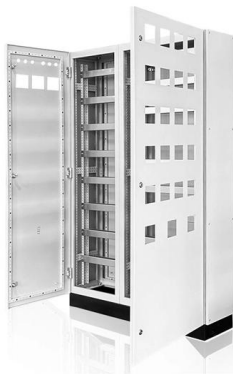
Singlemode Fiber and Multimode Fiber Optic Cable

When designing a fiber optic network, installers need to decide whether to use a singlemode fiber or multimode fiber. Learn about their differences.



Optic Fiber Cables Transparent Singlemode Simplex 0.9mm 9/125m M

Optic Fiber Cables Transparent Singlemode Simplex 0.9mm 9/125m M FTTH Cables, Find Details and Price about Optical Fiber Cable Fiber Optic from Optic Fiber Cables Transparent Singlemode



North Macedonia: Optical Fibre Cables Market Report

This report analyzes the North Macedonian optical fibre cables market and its size, structure, production, prices, and trade. Visit to learn more.

Single-Mode Optical Fiber

It can transmit higher bandwidth than multimode fiber but requires a light source with a limited spectral range. The terms single-mode optical fiber,





Elfcam®

The ultra-thin optical fiber developed by ELFCAM in 2025 combines discretion and robustness. Almost invisible to the naked eye, it offers great durability and

Fiber Optic Cable Types Explained

Our comprehensive guide to types of fiber optic cables. Learn all about the differences between single mode and multimode cables, as well as the various

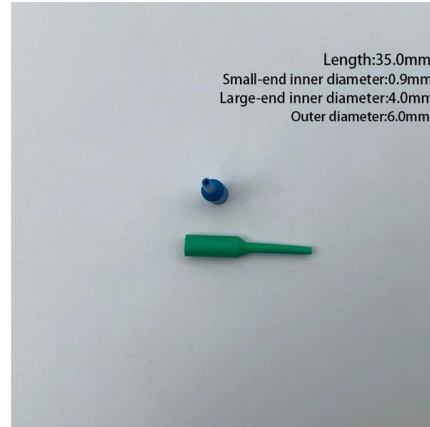


Single Mode vs Multimode Fiber Cable: Difference

Learn the complete differences between single mode and multimode fiber optic cables, including distance, core size, wavelength, cost, and best

Single-Mode Fiber-Optic Cabling:

Explore the high-speed world of single-mode fiber-optic cabling, where data travels on beams of light, offering unparalleled efficiency.

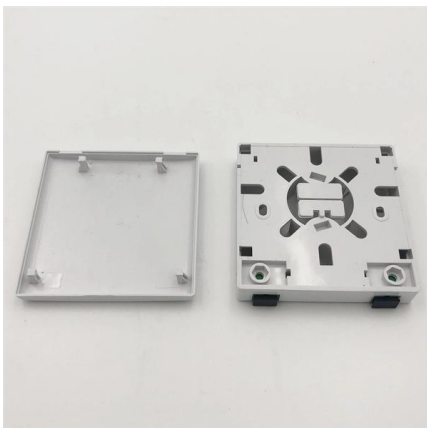
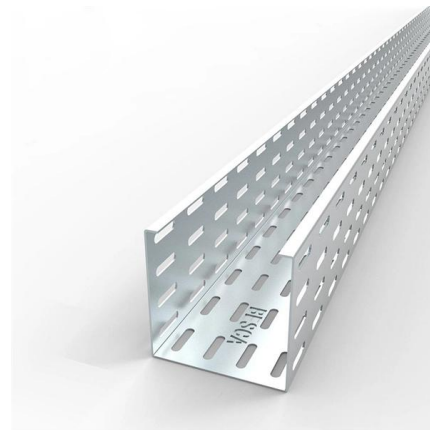


Single-Mode Fiber (SMF) vs Multimode Fiber (MMF):

For example, Plastic Optical Fiber (POF) comprises a plastic core, which offers an increased bend radius for compact installations. However, POF is

Single-mode optical fiber

Unlike multi-mode optical fiber, single-mode fiber does not exhibit modal dispersion. This is due to the fiber having such a small cross section that only the first mode



SINGLEMODE 9/125 FIBER OPTIC OPTICAL CABLE

1 Year Product Warranty NETWAY warrants all its optical cable product to be free from defects in material and workmanship for a period of one(1)year from the factory shipment date.If a breach of



The Essential Guide to Single Mode Fiber Cables

Discover how single mode fiber cables are the modern telecommunications, enabling the reliable transmission of data across vast



North Macedonia Optical fibre cables, made up of individually s

North Macedonia Optical fibre cables, made up of individually s imports by country

2 Types of Fiber Optic Cable: Single Mode vs. Multimode Fiber

When making a decision between single mode and multimode fiber cables, choose the one that best suits your network



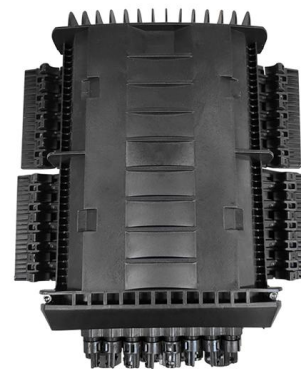
Republic of Macedonia Single Mode Fibre Optic Market (2025-2031)

Historical Data and Forecast of Republic of Macedonia Single Mode Fibre Optic Market Revenues & Volume By Plastic Optical Fibre Cables for the Period 2021- 2031



Cables - Fiber Optic - ASI

Optical cables for underground and burial:
 Characteristics: -Fiber count: 12,24, 48, 96 or 144 -Maximum attenuation: @1310nm - <= 0.40 dB/km; @1550nm - <= 0.30 dB/km -Maximum dispersion: @1310nm



Single-Mode Optical Fiber (SMF)

Draka Single-Mode Fiber (SMF) provides optimum performance in both the 1310 nm and 1550 nm wavelength operation ranges (including the 1565 - 1625 nm L-band), with a low dispersion in the



Optical fibres and cables in North Macedonia , The Observatory of

Find the latest exports, imports and tariffs for Optical fibres and cables trade in North Macedonia.

Product Parameter	
Product Type:	Cable tray, ladder, perforated and wire mesh cable tray
Materials:	GI steel, SMC, FRP, PVC, Kevlar, Aluminium, SS304/316, FRP
Finish:	GI Electro-pd, HVO, Powder coated,Electrolytic, painting
Width:	50-1000mm
Height:	20mm, 30mm, 75mm, 100mm, 150mm or as you required
Thickness:	0.8-2.0mm (Standard-thickness for wire mesh cable tray)
Length:	2m, 2.4m, 2.6m, 2.8m, 3m, 3m, 4m
Services:	ODM, OEM or Customized
Lead Time:	10 days for 100 quantities, 14 days for 100 quantities
Port of Loading:	Shanghai Port, Ningbo Port etc.



Contact Us

For datasheets, pricing, or custom telecom energy solutions, please visit:
<https://koskolong.co.za>