



Adam Tas Corridor Energy

Norway AI Server NRZ



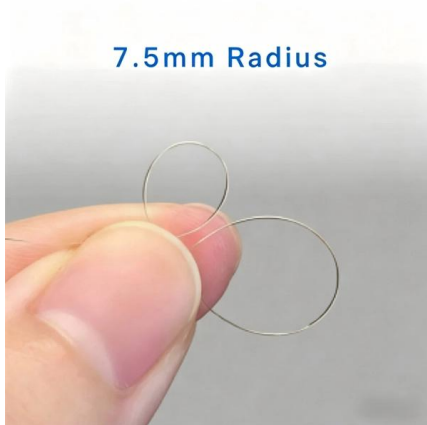


Overview

OpenAI has announced Stargate Norway, its first AI data center initiative in Europe. Stargate is OpenAI's overarching infrastructure platform and is a critical part of our long-term vision to deliver the benefits of AI to everyone. Norwegian server manufacturer Nscale is building a supercomputer for OpenAI in northern Norway.



Norway AI Server NRZ



The Frontier of AI in Norway

There is a need because, AI models are not small anymore, and become increasingly bigger. New AI models have 500 billion parameters. We

OpenAI Plans to Launch AI Data Center in Norway

OpenAI Plans to Launch AI Data Center in Norway
OpenAI is heading to Norway with 100,000 GPUs and a plan to build the greenest AI powerhouse in Europe, no EU strings attached.



AI Report Norway 2025

Preface Artificial Intelligence (AI) has the power to reform businesses, the public sector and society at large. This report demonstrates the rapid advancement and the thriving Norwegian AI community.

OpenAI To Build Massive AI Data Centre In Northern

OpenAI has stated its intention to work with Norwegian authorities to accelerate AI adoption,



support digital infrastructure, and help advance Norway's



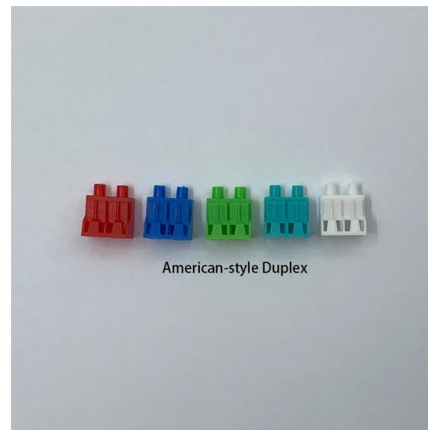
Stargate: Europe's fastest supercomputer is being built

Norwegian server manufacturer Nscale is building a supercomputer for OpenAI in northern Norway. The first phase is due to be completed by the end of



OpenAI: Stargate Norway Becoming the EU's AI

Stargate Norway is OpenAI's pioneering AI data centre project in Europe under the 'OpenAI for Countries' programme - seeking to expand



Lessons from Norway: AI, Customer Service and The Government

The scientists analyzed the data the NAV gathered from active usage of the customer service chatbot Frida and from the customer service agents working with the AI. They then used the





Top 10 AI Tools Every Customer Service Professional in

Discover the top 10 AI tools Norwegian customer service teams should know in 2025 -- trials, GDPR tips, integrations and quick pilot ideas.



The Complete Guide to Using AI in the Government

Beginner's guide to using AI in Norway's government in 2025: law, strategy, risk, procurement and practical steps for Norwegian agencies.

Server with GPU: for your AI and machine learning

Get AI models and tools such as DeepSeek or Ollama running on our dedicated GPU servers and tag us on Hugging Face for a shout-out of your favorite Projects.



New OpenAI Norway data center marks turning point in Europe's AI

OpenAI has announced the launch of Stargate Norway, its first AI data center initiative in Europe. The facility, to be built in Narvik, represents one of the most ambitious AI infrastructure



OpenAI to build giant AI hub in Norway, tightening US grip on

OpenAI has unveiled Stargate Norway, a new data center to help power massive AI demand. It'll be running on 100% renewable energy.

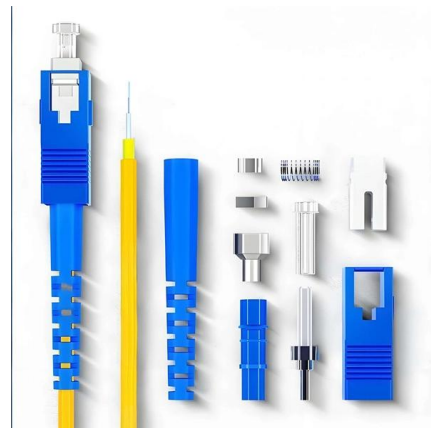


OpenAI unveils Stargate Norway AI data center project

OpenAI has announced its first European AI data center, Stargate Norway, in collaboration with Nscale, a British AI cloud infrastructure provider, and Aker, a Norwegian energy

OpenAI: Stargate Norway Becoming the EU's AI

Located near Narvik, Northern Norway, the Stargate Norway project now plans to house 100,000 Nvidia GPUs and 230MW of renewable data centre





Net Zero Compute -- Sovereign AI Infrastructure

Net Zero Compute delivers a production-ready AI Factory under Norwegian jurisdiction -- combining renewable energy, accelerated compute, managed

11 Best Ai Startups in Norway to Watch in 2026

The Definitive Seedtable Ranking of Ai Startups in Norway We track 71,000+ companies and rank them dynamically using our Seedtable Score - a score that uses quantitative and



Introducing Stargate Norway

This is one of the most ambitious AI infrastructure investments in Europe to date. Narvik's abundant hydropower, low-cost energy, cool climate,

OpenAI to open 230MW hydropower AI data center in

OpenAI has announced Stargate Norway, its first AI data center initiative in Europe, as part of its OpenAI for Countries program. The new facility



OpenAI Launches Stargate Norway to Boost Sovereign AI

OpenAI has announced Stargate Norway, its first AI data center initiative in Europe. Part of the broader OpenAI for Countries program, the facility will be located in Narvik, Norway, and is



Microsoft Expands Norwegian Data Center With 30000 Nvidia GPUs

In a significant move within the artificial intelligence (AI) infrastructure space, Microsoft has expanded its data center operations in Narvik, Norway, by securing a deal for more than 30,000



Artificial Intelligence in Norway

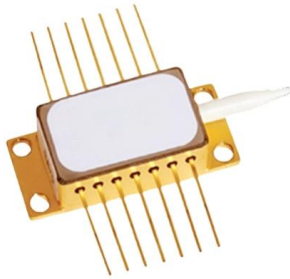
Some of Norway's biggest companies and research institutes are getting together to build competence in artificial intelligence.





GitHub

NRZ-AI - Real-time Speech-to-Text with AI Conversation ? Intelligent real-time speech transcription using Whisper.cpp with advanced Voice Activity Detection (VAD) and optional AI conversation

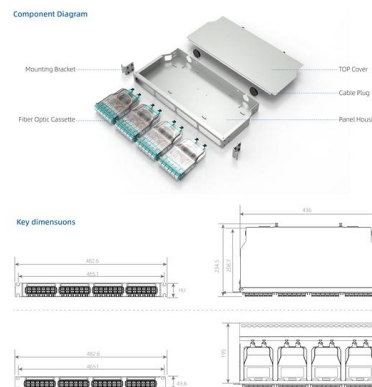


Stargate Norway: OpenAI's First AI Data Center in Europe

Norway will host OpenAI's first AI data center in Europe, a key development under the company's Stargate project, which aims to build the

Nscale, Aker and OpenAI to establish Stargate Norway:

Stargate Norway will be designed to provide secure, scalable, and energy-efficient infrastructure for sovereign AI workloads across Europe, fully



Contact Us

For datasheets, pricing, or custom telecom energy solutions, please visit: <https://koskolong.co.za>