



Adam Tas Corridor Energy

On-site splicing of optical cables





Overview

Infield installations, splicing is a faster and more efficient method and is used to restore fiber optic cables when a buried cable is accidentally severed. Splicing is typically required during cable installation, maintenance, or network expansion. Another method of connecting optical fibers is termination or connectorization, which consists of processing the end of a fiber optic bundle so that it can be connected to other fibers or devices through fiber optic. The technique for removing the coating involves mastering the "steady, even, and quick" approach. Think of a fiber optic cable splice as the seamless stitching that keeps data flowing through the delicate threads of a network—like a master tailor joining fabric with precision.



On-site splicing of optical cables



Fiber optic splicing jobs in Dallas, TX

Active 2503 vacancies o Fiber optic splicing jobs in Dallas, TX o Competitive salary o Full-time, temporary, and part-time jobs o Job email alerts o Find Fiber optic splicing jobs in Dallas, TX and

Fiber Optic Splicing Types, Methods, and Applications

Fiber optic splicing is essential for building and maintaining reliable, high-speed communication networks. By understanding its types, methods, and real-world



72 Core Inline Fiber Optic Splice Closure Use as Optical

This 72 core inline fiber splice closure can be used as fiber optic distribution box that designed for optical splitting, fiber splicing, cable joint, termination and distribution.

Fiber Optic Cable Splicing Explained

Splicing in optical fiber is the joining two fiber optic cables together. There are 2 methods of cable splicing, mechanical or fusion.



Small Inline Fiber Optic Splice Closure, 24 Single Fiber

The small 24 core fiber splice closure provides splices, joint, distribution and storage of optical cable which allows for F7 - F10mm cable entry, 2 in out.



Latest Fiber Optic Technology 2025 for Faster Networks

Stay ahead with the latest fiber optic technology in 2025. Learn innovations driving speed, efficiency, and smarter network solutions.



Optical Distribution Frame (ODF) in Telecom: Types & Uses

An Optical Distribution Frame (ODF) is a specialized enclosure designed to manage, connect, protect, and distribute fiber optic cables in telecom and data networks. Think of it as a





Fiber Optic Splicing: A Beginner's Guide - VCELINK

Splicing fiber optic cable indeed requires precision and the right tools. Let's delve into the essential equipment for fiber optic splicing and explore step-by-step



Fiber Optic Cable Splicer: A Simple Guide to Joining Light Paths

The Automatic Fiber Optic Splicer makes this process fast, easy, and accurate, while the Automatic Fiber Splicing Machine is built for speed and tough conditions. For building internet

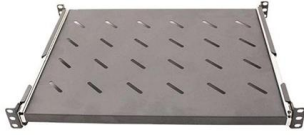
Fiber Optic Cable Splicing Explained

Infield installations, splicing is a faster and more efficient method and is used to restore fiber optic cables when a buried cable is accidentally severed.



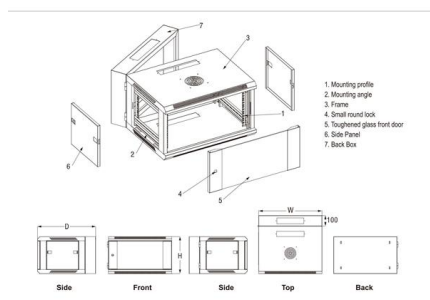
\$22-\$42/hr Weekend Fiber Optics Jobs in Hempstead, NY

Familiar with various fiber optic splice enclosures and termination panels. Responsible for prepping and splicing various types of fiber cables (OSP, ADSS & OPGW) Testing of fiber optic



What Is Fiber Optic Cable Splicing? A Beginner's Guide

Explore fiber optic cable splicing and its advantages over connectorization. Learn how to join and extend fiber optic cables effectively.



Fiber Cable Splicing Guide for Field Engineers

Fiber Cable Splicing: A Field Engineer's Guide A practical guide to fiber optic splicing techniques, tools, and best practices from Richesin Engineering's field crew.

How to Splice Fiber Optic Cables?

Splice fiber optic cables follows these steps: stripping, cleaving, splicing, and coiling. Tools required include: fusion splicer, cleaver, Miller





What is a Fiber Optic Pigtail, and What Is It Used For?

High-quality pigtail cables, combined with proper fusion splicing techniques, provide the highest performance for fiber optic cable terminations.

Senior Fiber Optic Testing Jobs in Wisconsin (NOW HIRING)

This position involves hands-on work installing, splicing, and testing fiber optic cable for telecommunications networks. Candidates will work in the field, support construction crews, and



Fiber Optic Cable Splice: The Complete Guide

This guide explores everything about fiber optic cable splice --from fiber fusion splice basics to how to splice fiber cable step-by-step--covering tools,



Fiber Optic Cable Splicer: A Simple Guide to Joining Light Paths

Before we talk about splicing, let's quickly understand what a fiber optic cable is. Unlike old copper cables that use electricity to send signals, fiber optic cables use light. Each cable contains



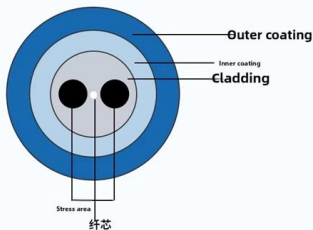
Maintain the performance of polarization maintaining fiber

Accurate refractive index distribution

Good longitudinal uniformity

Optical fiber environment performance is stable

The cross-sectional area has good symmetry



How to Install Pre-Terminated Fibre Optic Cable

To explore a practical pre-terminated fibre optic cable solution, view our complete product range. Frequently Asked Questions - How to Install Pre-Terminated Fibre Optic Cable How do you install

\$24-\$32/hr Entry Level Fiber Optic Splicer Jobs (NOW HIRING)

The Entry-Level Fiber Optic Splicer (Trainee) will assist in the installation, preparation, and splicing of fiber optic cables in both aerial and underground environments.



96 Core Fiber Splice Closure 1 in 4 out For Cable Joint

The fiber optic splice closure is used for direct and branch connection during optical fiber transmission and provides joint connection protection. The 96 core fiber



Executive Fiber Optic Cable Installer Jobs in Minnesota

This position is responsible for fiber splicing; preparation, installation and repair of single fiber optic cable using fusion splicing equipment. Performs testing of fiber on large scale networks

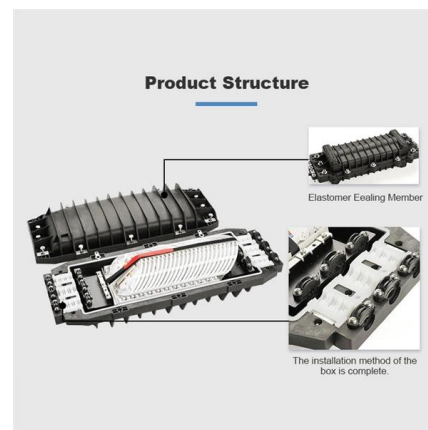


48 Core Fiber Optic Splice Joint Closure Dome Types

48 Core Fiber Optic Splice Joint Closure Dome Types F101H are used to distribute, splice, and store the outdoor optical cables which enter and exit from

Fiber Optic Cable Splicing Methods: A Practical Guide

Learn fiber optic cable splicing methods: fusion splice techniques and more. A practical guide to optic cable splicing for reliable fiber optics.



Junior Fiber Optic Cable Installer Jobs in Kansas City, KS

Browse 60+ KANSAS CITY, KS JUNIOR FIBER OPTIC CABLE INSTALLER jobs from companies hiring now. New openings. Be seen by employers and 1-click apply for jobs!



Fusion Splicers , Telecommunication Systems Business

Telecommunication uses Fusion splicer enable splicing of Fiber Optic Cable with low loss and high reliability. For fusion splicer, we offer two types: Core alignment

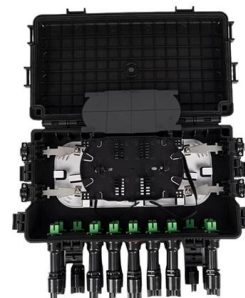


An Overview of Splicing Techniques: Pros and Cons of

In this blog, we'll explore the main types of fiber optic splicing techniques, their advantages, limitations, and how to decide which method best

Fiber Optic Cable Splice: The Most Complete Guide

In this comprehensive guide, we delve into the intricacies of fiber optic splicing--encompassing methodologies, instruments, and best practices--while highlighting Dekam Fiber's state-of-the-art





4 Port SC Fiber Termination Box, 4 Cores Splice

The 4 port FTTH termination box is a professional enclosure designed to provide a reliable and efficient fiber termination solution for indoor fiber-to-the-home

Contact Us

For datasheets, pricing, or custom telecom energy solutions, please visit:
<https://koskolong.co.za>