



Panama Transparent Optical Cable OM5





Panama Transparent Optical Cable OM5



ClearCurve® Multimode Fiber , High Data Rate Laser

ClearCurve multimode laser-optimized, bend resilient fibers are widely deployed to deliver high data rate, low latency transmission. As the inventor of bend

Differences Between OM1, OM2, OM3, OM4, OM5 -

The multimode cable consists of glass fibers with a standard diameter of 50 to 100 microns for the light-carrying element, a type of optical fiber used for



OM1 OM2 OM3 OM4 OM5 Multimode Fibers Explained

Understand the differences between OM1, OM2, OM3, OM4, and OM5 multimode fibers, including bandwidth, distance, and applications for

OM5 Fiber vs OM4 and OM3: Key Differences Explained

OM5 fiber guide. Learn differences between OM3, OM4, and OM5 fibers for networking and data



Multimode OM5 50/125µm 100Gb Fiber Patch Cable

Fiber Cables - Multimode OM5 OM5 fiber optic cable is completely backwards compatible with OM2, OM3 & OM4 fiber and shares the same distinctive aqua jacket. Multimode OM5 fiber was developed



OM5 Fiber Optic Cables

OM5 multimode fiber cable is fully compatible to previous multimode standards OM3 and OM4 yet the OM5 can achieve much higher speed with less fiber cores. OM5



What Is Special About OM5 Fiber, and What Are Its Uses?

This article compares the different types of OM fiber cables, highlights the advantages of OM5 fiber, and discusses the full range of applications.





Understanding the Differences Between OM4 and OM5

Multimode fiber is a staple of fiber-optic cable infrastructure in data centers and campus networks. The ISO/IEC 11801 standard defines five classes



OM5 MTP/MPO Trunk Cable

Our fiber optic cable assemblies are available to provide wide variety of fiber optic patch cords/pigtails. Types of cables include: single mode (OS1, and OS2) and multimode (OM1, OM2, OM3, OM4, and

OS1 vs. OS2, OM3 vs. OM4 vs. OM5

Entdecken Sie die wichtigsten Unterschiede zwischen OS1- und OS2-Singlemode-Fasern und OM3-, OM4- und OM5-Multimode-Kabeln. Erfahren Sie,



OM2, OM3, OM4 vs. OM5 , How to Choose the Right

Choose an OM5 Multimode Fiber Optic Patch Cable here. [chkabel](#) aus! The following figure shows the differences between OM2, OM3, OM4, and OM5 multimode fiber



de.opticalpatchcable

Hier sollte eine Beschreibung angezeigt werden, diese Seite lässt dies jedoch nicht zu.

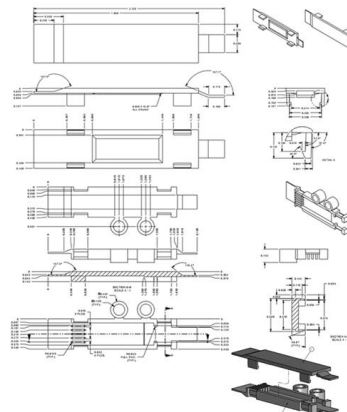


Guide to Multimode Fiber: OM1, OM2, OM3, OM4, OM5

We've spoken frequently in the past about the difference between single mode and multimode fiber. Multimode fiber can also be divided into 5

15m OM5 Wideband Multimode Duplex Fiber Optic Patch Cable

Shop from our selection of high quality OM5 Wideband 15 meter LC to ST (50/125) multimode duplex fiber optic patch cables.



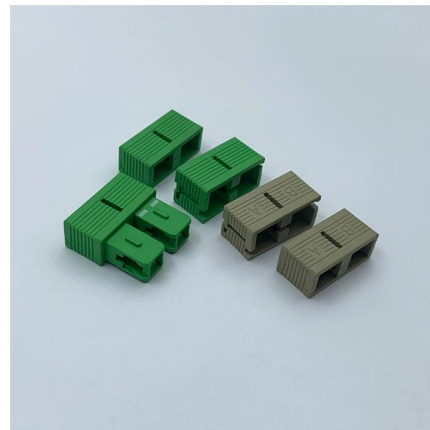


What is OM5?

OM5 fibre supports similar modal bandwidth of 4700MHz at 850nm to OM4 and OM3, allowing backwards capability. Its 50µm core offers a user friendly solution for installation as well as

MTP/MPO Fiber Optic Cables - OM1, OM2, OM3, OM4, OM5

MTP/MPO Fiber Optic Cables ShowMeCables offers MPO/MTP fiber cables. Stock cables range from 1 meter (3.28 ft) to 100 meters (328.08 ft). Our MPO/MTP fiber cables are either MPO to MPO no pins



ClearCurve® Multimode Fiber , Corning

ClearCurve OM5 Wide Band Optical Fiber OM4 compliant and supports single or multi-wavelength transmission systems.

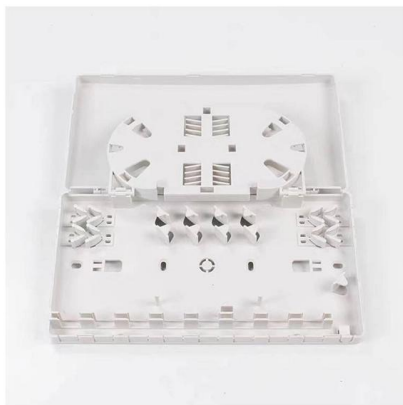
OM5 Multimode Fiber Optic Patch Cables for 40G/100G Networks

FS offers OM5 multimode fiber patch cables 50/125 with full use of shortwave wavelength division multiplexing (SWDM) tech for 40G/100G cablings, 100% optically tested.



Cable Fibra Óptica OM5 Dúplex LC-LC , 10m , LSZH

Cable de Fibra óptica OM5 Dúplex LC-LC de alto rendimiento para redes y centros de datos. Diseñado para soportar velocidades de hasta 40/100 Gbps, es ideal



Corning OM5 Fiber Cables

Our CablesAndKits' premium Corning fiber OM5 cables are unmatched in quality and reliability. These Premium OM5 fiber optic cables are made with Corning optical fiber glass cables and with a 2.0mm



A Guide to OS2, OM1, OM2, OM3, OM4, and OM5 cables

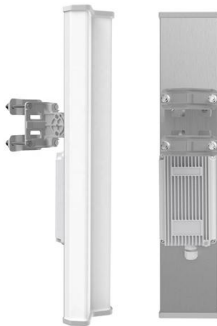
Do you know the difference between OS2, OM1, OM2, OM3, OM4, and OM5 fiber optics cables? Fiber optic cables are the backbone of modern data





OM5 Multimode Fiber Optic Cables

The L-com OM5 50/125 Multimode Fiber Optic Cables are available in a variety of lengths and connector combinations. It is a perfect choice for high-bandwidth applications such as 100 Gigabit Ethernet, 400



OM1 vs OM2 vs OM3 vs OM4 vs OM5 Multimode Fiber

Compare OM1, OM2, OM3, OM4, and OM5 multimode fiber specs, distances, bandwidth, and applications. Essential guide for data center fiber

OM5 MM Fiber Optic Patch Cable, LC/UPC-LC/UPC, OFNR - Fiber

LC/UPC-LC/UPC OM5 Multimode Duplex OFNR Lime Green Fiber Optic Patch Cable OM5 wide-band multimode bend insensitive fiber optimized for multi-wavelengths transmission systems operating in



Understanding OM5 Fiber

Understanding the distinctions between OM5 and other fiber types, such as OM3 and OM4, is essential, mainly as businesses increasingly rely on high-speed networks to support growth



Corning® ClearCurve® OM5 Wide Band Optical Fiber

Corning® ClearCurve® OM5 wide band optical fiber is designed to withstand tight bends and challenging cabling routes with full backward compatibility to OM4 fiber.



OM5 Multimode 100Gb Fiber Optic Cables

OM5 Multimode 100Gb GenuineModules offers OM5 multimode fiber patch cables 50/125 with full use of shortwave wavelength division multiplexing (SWDM) tech for 40G/100G cablings, 100%



Corning® ClearCurve® OM5 Wide Band Optical Fiber

ColorPro® Identification Technology
ClearCurve® OM5 wide band fiber is also available in colored and ringmarked variants, enabled by ColorPro® identification technology. Corning fibers with ColorPro®





Fiber Optic Cable Types Explained

Our comprehensive guide to types of fiber optic cables. Learn all about the differences between single mode and multimode cables, as well as the various

OM5 Multimode 50 Micron Indoor (Corning ClearCurve)

This bulk OM5 fiber cable is indoor plenum rated and has a tight buffer construction. It is OFNP rated for plenum and general inside plant environments. Features



Contact Us

For datasheets, pricing, or custom telecom energy solutions, please visit:
<https://koskolong.co.za>