



**Adam Tas Corridor Energy**

# **Performance of Irish Galvanized Cable Trays**





## Performance of Irish Galvanized Cable Trays

---

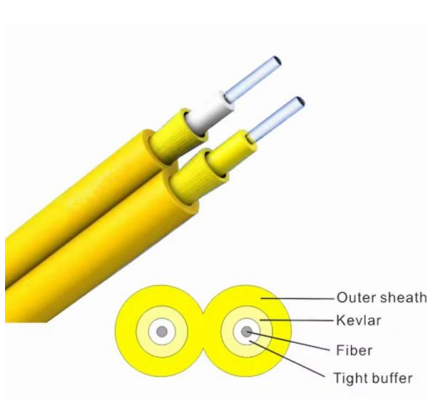


### Hot Dip Galvanized vs GI Cable Trays: What's the

Two common types-- Hot Dip Galvanized (HDG) and GI (Galvanized Iron) cable trays--offer corrosion protection but differ significantly in performance, durability,

### Galvanized Cable Tray In Ireland

Our hot-dip galvanized steel construction ensures long-lasting performance and resistance to wear and tear. The perforated design allows for proper ventilation, preventing overheating of cables and



### GUIDE CABLE TRAYS TECHNICAL

In accordance with its continuous improvement policy, Legrand reserves the right to change the specifications and illustrations without notice. All illustrations, descriptions and technical information

### FRP and GRP Cable Trays vs Steel: Performance, Cost and Lifecycle

This article sets out a direct, data-backed comparison of FRP and GRP cable trays against



hot-dip galvanised steel, drawing on independent research and published lifecycle cost

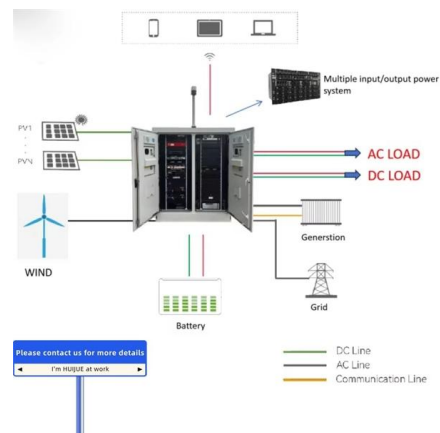


### INFORMATION ON STANDARDS FOR CABLE TRAYS - K?raç Metal

This standard specifies the requirements and test methods for cable trays, cable ladders, supports and their accessories to ensure complete safety of installations. The topics included are: Mechanical

### Art?m Metal, Metal Cable Trays, Cable Tray,

60 Series Perforated hot-dip, heavy-duty, durable cable transportation system. It provides superior protection against corrosion and



### Cable trays

Cable trays are produced in different heights and widths to give more choice for loading space availability. The cable trays feature slot patterns allowing for



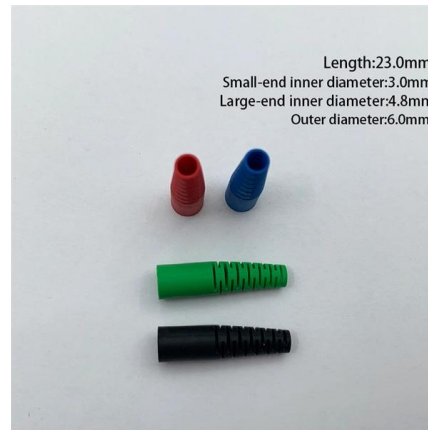
## Hot-dip galvanized steel cable trays , Technical guide for demanding

Detail of hot-dip galvanized steel cable trays installed in a demanding industrial environment. Learn when to choose hot-dip galvanized steel cable trays according to EN ISO 1461:



### CABLE TRAYS

22 CORROSION RESISTANCE The primary function of a cable tray is to be a durable, efficient and resistant support. A recurring theme in all metal applications, uncontrolled corrosion can result in



## Cable Tray Lifespan: An In-Depth Overview of Material

When designing or upgrading electrical systems, selecting the right cable tray material is crucial for the longevity and performance of the system. The



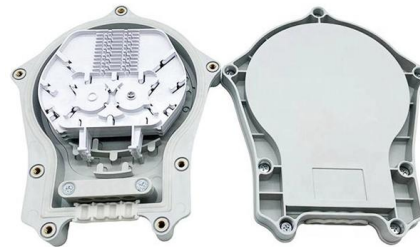
## Cable Tray Specifications and Sizes

The document specifies requirements for cable trays, including that they be fabricated from galvanized sheet steel in standard lengths and widths. It provides



## Cable Tray Manufacturer UAE , Steel & Galvanized

High-quality cable trays in UAE including steel, pre-galvanized, and HDG options. Reliable manufacturer and supplier for industrial and construction projects with



## Hot Dip Galvanized vs GI Cable Trays: What's the

Two common types-- Hot Dip Galvanized (HDG) and GI (Galvanized Iron) cable trays--offer corrosion protection but differ significantly in performance,

## Technical bulletins , Cable Tray Institute

The Cable Tray Institute is now making available our complete library of technical articles which have appeared in the Cablegram. For further assistance, contact David Richmond (NEMA Senior Program





### **Hi-Wire(TM) Galvanized Cable Tray**

Cobia® wire mesh basket trays are a budget-friendly alternative to other cable management solutions for supporting groups of cables. WireRun® Cable Trays

### **Types of Cable Trays - Advantages, Applications and Sizes**

Explore the types of cable trays, their advantages, applications, and standard sizes. Learn how they improve cable management and support various industries.

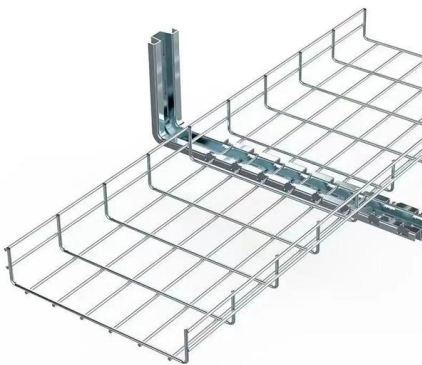


### **Durable GI Cable Trays for Safe Cable Management**

Explore strong and corrosion-resistant GI cable trays designed to organize and support electrical cables with ease. Ideal for industrial and commercial use.

### **CABLE TRAYS**

The mechanical strength of cable trays is determined by the steel's ductility, yield strength and elongation at break, but also by its weldability. The protection or coating does not influence the



### Galvanized Cable Tray: Durable Industrial Solutions

Discover galvanized cable trays for industrial wiring, with installation tips, load data, and corrosion-resistant solutions for long-lasting cable management.

### Cable Trays, Cable Management Trays , RS

Browse our range of Cable Trays. Buy Cable Management Cable Tray, Wire Tray & Cable Baskets. The perfect cable management solution. Shop Today!



### Why Galvanized Steel Cable Trays Are Ideal for

Galvanized steel trays are renowned for their exceptional durability. Cable tray galvanized steel can withstand heavy loads, extreme temperatures,



## Cable Tray

Systems lengths are produced as standard in a 3 metre format, manufactured from sheet steel into a channel section, to provide cable management in all



## What are the main types of galvanized cable tray?

Learn the main types of galvanized cable trays, including HDG cable tray, GI cable tray and Pre-galvanized cable tray with JLH Electric.

## SS Cable Tray VS Galv Cable Tray: Which One Is Right

Explore the differences between SS Cable Tray VS Galv Cable Tray, comparing material, corrosion resistance, cost, weight, and applications. Find out



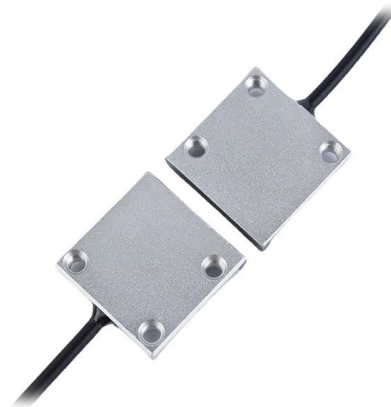
## GALVANIZED CABLE TRAY , Galvanized Steel Cable

AMROCK offers a wide range of Cable Trays in raw materials like Pre-Galvanized Iron and Hot Dipped Galvanized Iron and suitable for various industry segments.



### **50mm LIGHT DUTY TRAY GALVANIZED**

Home Electrical Cable-Accessories-Management  
Cable Management Tray 50mm LIGHT DUTY  
TRAY GALVANIZED



## **Contact Us**

---

For datasheets, pricing, or custom telecom energy solutions, please visit:  
<https://koskolong.co.za>