



Adam Tas Corridor Energy

Peru RoHS Network Security Equipment 1G





Peru RoHS Network Security Equipment 1G



ROHS Certification in Peru, Consultant in Peru, Lima, Cusco, Puno

Why should you choose us for your ROHS Certification in Peru? We aim to confirm a complete technical database that aims to fulfill ROHS Consultants in Peru directive requirements.

RoHS Product Certification Services

The European Directive on the Restriction of Hazardous Substances (RoHS) holds electrical and electronic equipment companies directly responsible for the



The Ultimate Guide to RoHS Compliance , SafetyCulture

Learn all about RoHS compliance, its importance, and the best way to adhere to this important EU regulation.

RoHS

The Restriction of Hazardous Substances Directive 2002/95/EC (RoHS 1), short for Directive on the restriction of the use of certain



hazardous substances in electrical



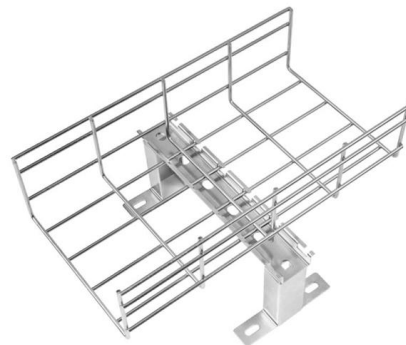
Peru's GHS-Aligned Decree: Managing Chemical Substances

Peru's Decree No. 1570 ensures health and environmental protection through comprehensive chemical substance



What is RoHS Compliance? The 10 Substances

Learn what RoHS compliance means, the 10 banned substances, and why it's critical for electronics. Our expert guide explains the entire process.



IAEA Chief Grossi Visits Peru: Agreements on Nuclear

Nuclear technology to increase sustainability in agriculture The Atoms4Food agreement will help Peru implement climate-smart agricultural practices and



Restriction of Hazardous Substances (RoHS) Services

Intertek's suite of RoHS compliance services provides comprehensive solutions to meet your electronic and electrical equipment product requirements. Intertek provides comprehensive consulting, testing,



RoHS Compliance: A Comprehensive Guide

Learn everything about RoHS Compliance in this comprehensive guide. Discover what RoHS Compliance is, why it's important, the specifics of the RoHS directive,

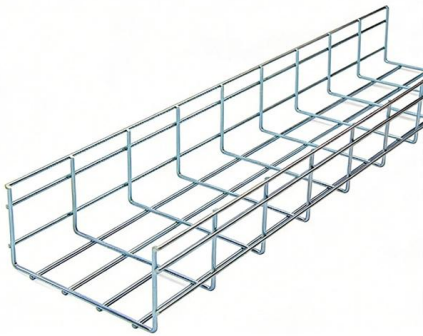
New Mandatory RoHS Requirements in Eurasian Economic Union

RoHS requirements in the Eurasian Economic Union (EAEU) became mandatory on March 1, 2020, and electronic products marketed in the EAEU must undergo conformity assurance procedures and



RoHS Guide

RoHS (Restriction of Hazardous Substances) impacts the entire electronics industry and many electrical products as well. The original RoHS restricts the use of ten hazardous materials found in electrical



Expert Guide: 5G Regulation and Law in Peru by CMS

Explore an expert guide on 5G regulation and law in Peru, covering deployment status, spectrum licensing, and future plans. Gain insights into telecom regulations.



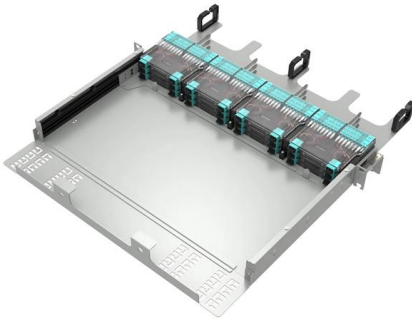
RoHS Certification in Peru , Top 10 RoHS Consultants in Peru

One such standard is the Restriction of Hazardous Substances (RoHS) directive. In this comprehensive article, we will delve into the world of RoHS Certification in Peru, exploring its importance, the

RoHS Compliance FAQ

RoHS Compliance FAQ What is RoHS? RoHS stands for Restriction of Hazardous Substances. RoHS, also known as Directive 2002/95/EC, originated in the European Union and restricts the use of





RoHS Overview

RoHS Reviews Article 6 of the RoHS Directive requires periodic review in consultation with stakeholders to address required updates to the scope of the directive including the equipment covered and the

Peru's GHS-Aligned Decree: Managing Chemical Substances

National Registry of Chemical Substances
Risk Assessment of Chemical Substances For Health and The Environment
Supplementary Provisions
To systematize information regarding hazardous chemical substances and to effectively manage associated risks, the creation of RENASQ has been declared with a non-constitutive or restrictive intent towards rights. RENASQ serves as a mechanism for obtaining up-to-date data on chemical substances manufactured and imported within the country, as well See more on ul RoHS Guide



RoHS Product Categories & Exemptions

The RoHS Directive applies to products in Categories 1 thru 11 (as per Schedule 1 of the WEEE Directive). RoHS also applies to all wires, cables, and associated connectors, both internal and

Vista Laboratories

By including the TAC in the application process, approved cellular products will automatically be registered in the new RENTSEG database



RoHS Directive Explained: Compliance for Electronics and

Navigate RoHS compliance for electronics. Understand restricted substances, global reach, and how due diligence ensures safety, market access & sustainable supply chains.



What is RoHS? Directive, Compliance, and Restricted

Explore the RoHS directive, its restricted substances (RoHS 10), compliance requirements, and global impact. Learn how manufacturers ensure

Global Restriction of Hazardous Substances (RoHS)

There are a number of global Restriction of Hazardous Substances (RoHS) requirements (better known as RoHS) in place, or going through their appropriate government process. They typically resemble



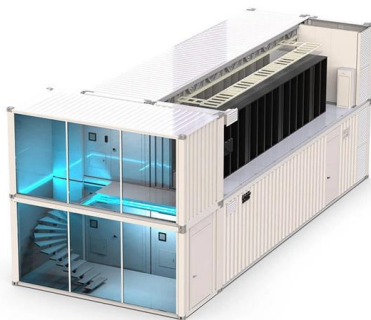


Peru Drafts REACH-like Regulation for Public Consultation

The integration of the forthcoming Supreme Decree with Decree No. 1570 will establish a REACH-like Regulation alongside the implementation of

RoHS Certification in Peru , RoHS compliance experts

Here's a step-by-step guide to getting RoHS certified in Peru. Step 1: Understand RoHS Requirements. Before starting the certification process it is important to understand the requirements of the RoHS



Adoption of RoHS Requirements in Key Global Markets

Most countries or regions adopt self-declaration from manufacturers, and some may also require certification. This article aims to provide a comparative analysis of

Contact Us

For datasheets, pricing, or custom telecom energy solutions, please visit:
<https://koskolong.co.za>