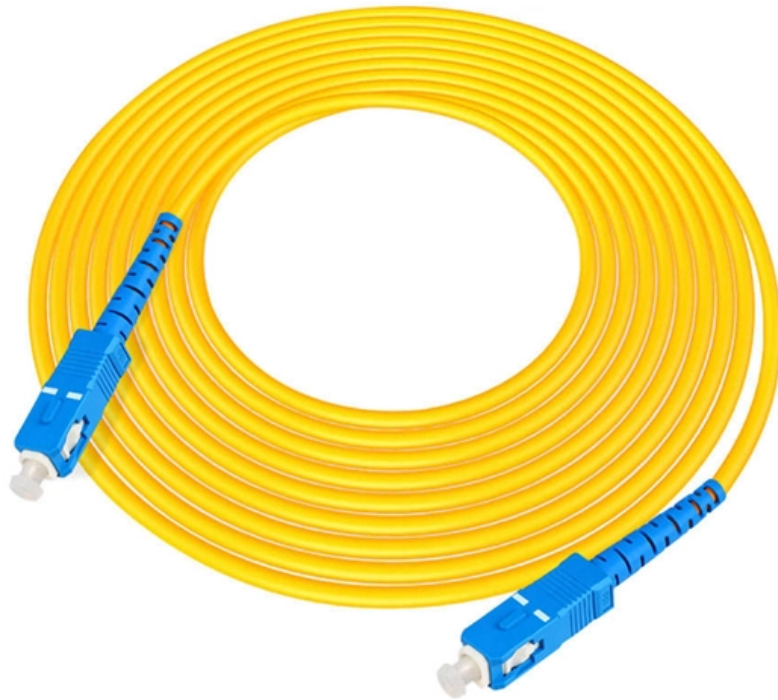




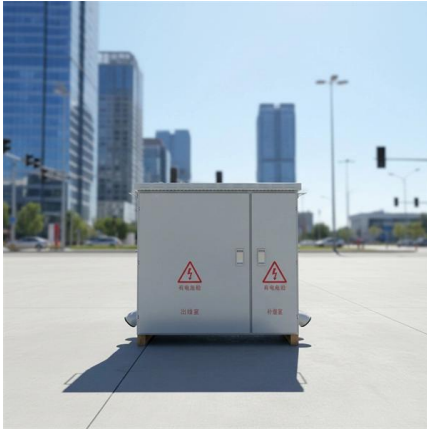
Adam Tas Corridor Energy

Photovoltaic power module manufacturers





Photovoltaic power module manufacturers



Emmvee Photovoltaic Power (EMMVEE) Live Share Price Today

Emmvee Photovoltaic Power Live Share Price Today, Share Analysis and Chart Falling Comet about Emmvee Photovoltaic Power Ltd. (Emmvee) is a prominent Indian integrated solar

Trends in PV Applications 2025

IEA PVPS has released its latest Trends in Photovoltaic Applications 2025 report, revealing that the world's cumulative installed PV capacity surpassed 2 260 GW

Integrated Aluminum Alloy Die Casting



Durable and Secure Metal Screws



TOP 20 PV Module Manufacturers Production Ranking

Companies like Jingyou and Hoshine Silicon have seen their operational rates fall to single digits, with very low monthly output. In a PV

Die 21 größten Solarmodul-Hersteller weltweit (2026)

Wir stellen 21 von ihnen vor. Die Übersicht bezieht sich auf internationale Photovoltaik-



Hersteller. Die größten deutschen Solarhersteller



2025 Top 20 Global Photovoltaic Module Manufacturers

In 2024, the global solar module market continued to see the strongest players thrive, with the top four enterprises -- JinkoSolar, LONGi, Trina Solar and



Photovoltaic Power Station Market Size, Trends, 2026-2033

The declining prices of photovoltaic modules--driven by economies of scale, material innovations, and manufacturing process improvements--are enabling project developers to deploy



Top 10 List of Solar PV Module Manufacturer

Discover the top 10 solar PV module manufacturer companies in 2025, featuring American-made solar panels and industry leaders like First Solar and LONGi





Emmvee Photovoltaic Power IPO Listing Live: Solar

Emmvee Photovoltaic Power IPO Listing Live: Company Scale Emmvee stands among India's largest integrated solar manufacturers with 7.80



China solar industry faces shakeout, but rock-bottom

Consolidation in China's crowded solar power sector is pushing smaller players out of the market, but excess production capacity - with more on the way

Top 10 Companies in the Solar Photovoltaic PVs Industry (2025):

In this blog, we profile the Top 10 Companies in the Solar Photovoltaic PVs Industry --a combination of established giants, innovative module manufacturers, and integrated energy solution



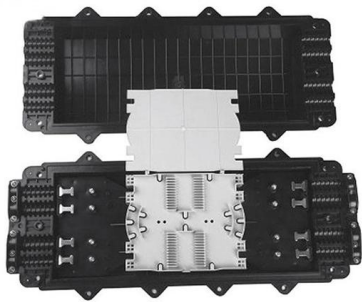
2025 Top 20 Global Photovoltaic Module Manufacturers

During the conference, PVBL announced its annual ranking of the top 20 global photovoltaic module manufacturers. In 2024, the global solar module



List of photovoltaics companies

Photovoltaics companies include PV capital equipment producers, cell manufacturers, panel manufacturers and installers. The list does not include



Solar PV

Find up-to-date statistics and facts on the global solar photovoltaic industry.

Photovoltaic module prices 2026, how much do solar

Updated photovoltaic module prices 2026, in January high-efficiency solar panels reached an average of EUR0.115/Wp.



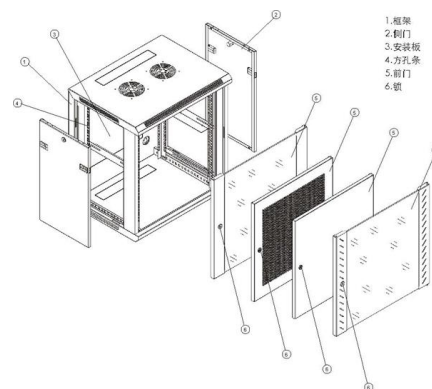


Global Offshore Photovoltaic Modules Market 2026

Global Offshore Photovoltaic Modules Market 2026 Offshore Photovoltaic Modules Market Size, Share & Industry Analysis, By Technology (Monocrystalline Silicon, Thin Film), By Installation

Die größten Solarmodul-Hersteller 2026

Die besten Solarmodule kommen entweder von Premiumherstellern mit maximaler Effizienz wie SunPower (Maxeon), LONGi und REC oder von sehr zuverlässigen



Willkommen bei SMA: Wechselrichter

Entdecken Sie den globalen Spezialisten für Wechselrichter, Photovoltaik- & Solartechnik von der privaten Solaranlage bis zum Megawatt PV-Kraftwerk.

Emmvee Photovoltaic Power Ltd

Emmvee Photovoltaic Share Price - Get Emmvee Photovoltaic Power Ltd Live NSE/BSE Share Price & historical returns, Performance, Financials, Market Cap, Analysts Rating, Target Price,





Top 10 Solar Module Manufacturers in 2024: Market

Discover the top 10 solar module manufacturers dominating the global photovoltaic industry in 2024. Learn about market leaders.

APPROVED LIST OF MODELS AND MANUFACTURERS (ALMM)

Application Form for applying for enlistment in ALMM (Approved List of Models and Manufacturers) for Solar Photovoltaic Cells
Amendment to ALMM Order regarding reduction of

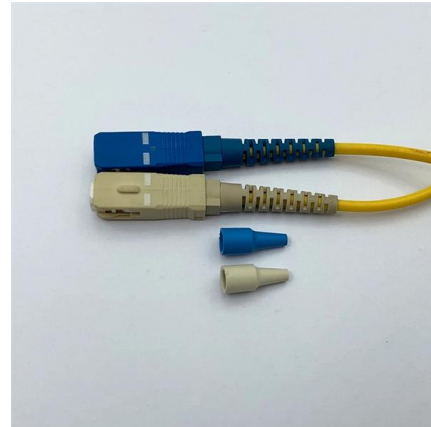


Emmvee Photovoltaic shares list flat at IPO price of Rs

Emmvee Photovoltaic Power made its market debut on Tuesday, priced at Rs 217 per share. The initial public offering attracted moderate interest,

pv magazine International - News from the photovoltaic

News from the photovoltaic and storage industry: market trends, technological advancements, expert commentary, and more.



Die 19 wichtigsten Hersteller von PV-Modulen weltweit

Sie planen eine Solaranlage und suchen hochwertige Module? Auf dem Markt finden Sie unzählige Hersteller. Die Auswahl ist groß und oft unübersichtlich. Dabei

China Ends Solar Subsidies, Boosting Module Prices 15-50%

Manufacturers Hike Module Prices 15-50% Ahead of Subsidy Cut China's largest solar manufacturers, including JinkoSolar, LONGi Green Energy, and Trina Solar, have raised photovoltaic



Executive summary - Solar PV Global Supply Chains

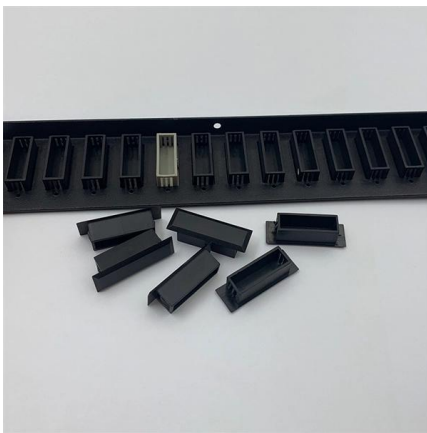
Global capacity for manufacturing wafers and cells, which are key solar PV elements, and for assembling them into solar panels (also known as modules), exceeded





All products

Premium Performance Photovoltaic Modules Your
Trusted Partner for High-Performance Maysun
Solar Modules Providing Reliable Energy
Solutions with



Solar Market Insight Report - SEIA

Throughout all of Wood Mackenzie's US power sector outlooks, solar capacity constitutes roughly half of new capacity added each year through 2060. 2025 was a monumental year for the US

Contact Us

For datasheets, pricing, or custom telecom energy solutions, please visit:
<https://koskolong.co.za>