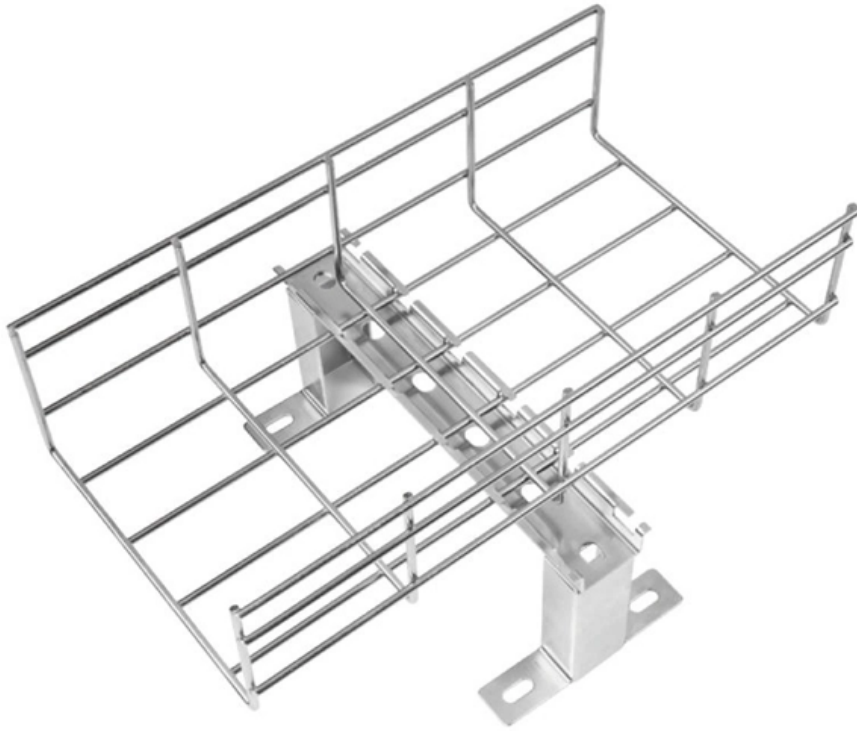




**Adam Tas Corridor Energy**

# **Poe cold joint**





## Poe cold joint

---



### Cold DoT Elementalist League Starter Guide PoE 3.22

Cold DoT Elementalist League Starter Build Guide POE 3.22 Ancestor League. Ascendancy, Builds, Skills, Passives, Leveling, Bossing & Mapping

### Added Cold Damage Support , PoE Wiki

Added Cold Damage Support Cold, Support Icon:  
C Level: (1-20) Cost & Reservation Multiplier:  
120% Requires Level 8 Supports any skill that hits



### What is a Cold Joint in Concrete? (And How to Fix them!)

A cold joint in concrete is an area or surface with a structural discontinuity caused by the delayed concrete pouring between two layers of concrete. The delayed

### What is the best cold skill? : r/pathofexile

What is the best cold skill? Glacial Cascade,



Freezing Pulse, Ice Spear, or the red-headed step-child Ice Nova perhaps? Edit: forgot about Cold Snap I brought up the topic of best 5L setup for



### More tips/observations for Cold Dot Elementalist

- Redeemer exalts for cold damage against enemies chilled on rings flat damage not good for spells
- Hunter exalts for cold dot multi on amulet (so hard to hit, bricked 4 ammys already)
- Prob missing a



### Cold DoT Elementalist PoE

Cold DoT Elementalist is built around the concept of stacking DoTs. This build utilizes many different abilities which all stack together.



### [Top 5] Path of Exile Best Cold Builds (3.20.2) , Gamers Decide

5 - Von Vikton'S Ice Spear Totems Hierophant4 - Zizaran'S Cold Dot Trickster3 - Cast on Crit Ice Spear Occultist2 - Wardloop Ascendant1 - K2gaming'S Ice Trap SaboteurHaving played this character as my third one in the league, and reaching level 95 within a couple days, I can safely say this has been of the most enjoyable builds I've played in years, due to the sheer level



of comfort. It can do pretty much all bosses (not ubers, unless you're massively geared, and it's not worth investing that much), and it's pa See more on gamersdecide Missing: cold jointMust include: cold joint Reddit

## First time playing - Cold Melee builds? : r/PathOfExileBuilds - Reddit

Like others have said, to fulfill the fantasy of a 2handed cold like you're interested in, look into Ice Crash + Fist of War support gem (Fist of War boosts slam skills as a much bigger hit and Ice Crash is a slam).

## Witch

3.8, Stress Free PoE - COLD-HEARTED CURSER  
,Clear the Atlas w/ YOUR Items @ YOUR Pace  
(SSF & Co-op)



## Cold damage

Cold damage is one of the five damage types and is one of the three types which count as elemental damage. Hitting an enemy with cold damage can inflict chill.

## Purity of Ice

Lua error: Error: invalid field alias "items.\_pageName"; aliases cannot contain dots or quotes.. Purity of Ice is an aura skill that grants cold resistance and maximum



### 3 Best Cold Themed Builds In POE 3.20

This article introduces three best cold themed builds I recommend in Path of Exile 3.20, which are Ice Shot, CoC Tornado Shot and CoC Ice Spear.



### Cold DoT Elementalist Gear Progression

Cold DoT Elementalist Path of Exile 3.22 Ancestor League Starter Build Guide Gear Progression: Milestones Items Earlygame, Endgame & Crafting.



### 3.21

Step 5: Harvest add cold to get "+1 cold". If it remove "+1 all" start over from step 2. Step 6: Remove bench craft. Step 7: Benchcraft "3 craft mod" + "Cold Dot Mul" + "Inc cold damage/change to freeze"





## Cold Conduction Cluster Jewel : r/pathofexile

Any non-specified chill is 10%, any non-specified shock is 15%. These can be increased by "Increased effect of chill/shock/ailments" on the tree and gear. It's pretty huge also because for example it allows



## Cold DoT Elementalist Skill Gems & Passive Tree

Cold DoT Elementalist League Starter Skill Gems, Auras, Jewels & Passive Skill Tree. A fundamental part of your Cold DoT Elementalist build is Gems, getting the correct link setups before

## [3.21] ShakCentral's Cold DoT Elementalist For Everyone

Welcome everyone! This guide covers the overview, leveling, and endgame concepts for playing a Cold Damage over Time (DoT) Elementalist, including a Path of Building import for



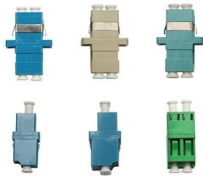
## Cold Iron Point

Lua error: Error: invalid field alias "items.\_pageName"; aliases cannot contain dots or quotes.. Cold Iron Point is a unique Lua error: Error: invalid field alias "items.\_pageName"; aliases cannot contain dots



### **Frigid Bond Support , PoE Wiki**

Frigid Bond Support is a support gem which causes the link created by link skills to apply a debuff that deals cold damage over time and chills enemies. This debuff lingers for a duration.



### **Vaal Cold Snap , PoE Wiki**

Vaal Cold Snap is a Vaal spell that causes an initial burst of ice to explode around the player, freezing enemies. After the burst an area of damage

### **How to craft this cold cluster? Just need the notables.**

66 votes, 85 comments. 170K subscribers in the PathOfExileBuilds community. A place to talk about POE builds, mechanics and interactions.





## Cold DoT Elementalist Skill Gems & Passive Tree

Cold DoT Elementalist Path of Exile League Starter Build Guide 3.22 Ancestor: Gem Links, Support Gems, Auras, Jewels and Passive Skill Tree.

## Cold damage , PoE Wiki

Cold damage is one of the five damage types and is one of the three types which count as elemental damage. Hitting an enemy with cold damage can inflict chill. Critical strikes with cold



## Hypothermia Support , PoE Wiki

Hypothermia is a support gem that grants supported skill gems more damage with hits and ailments against chilled enemies, more cold damage over

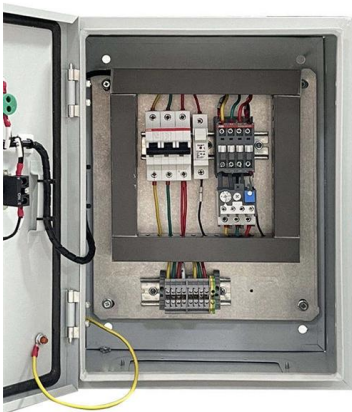
## Cold damage

Cold damage is one of the five Damage Types. It is reduced by Cold Resistance. Cold hits apply Chill and build up Freeze, but cannot build up Heavy Stun.



### Cold spells that scale best with Gem levels? : r/PathOfExileBuilds

I've heard that wintertide brand is the new cold DOT skill of choice, but I've never done a build with it myself. That's just what I've read here.



### Awakened Added Cold Damage Support , PoE Wiki

Awakened Added Cold Damage Support Cold, Support Icon: C Level: (1-5) Cost & Reservation Multiplier: 120% Requires Level 72 Supports any skill



### Ice Shot Deadeye Build Guide

Ice Shot Deadeye Build Guide has Skills, Rotation, Ascendancy, Passive tree, and Gear progression in Path of Exile 2 The Last of the Druids.





## Contact Us

---

For datasheets, pricing, or custom telecom energy solutions, please visit:  
<https://koskolong.co.za>