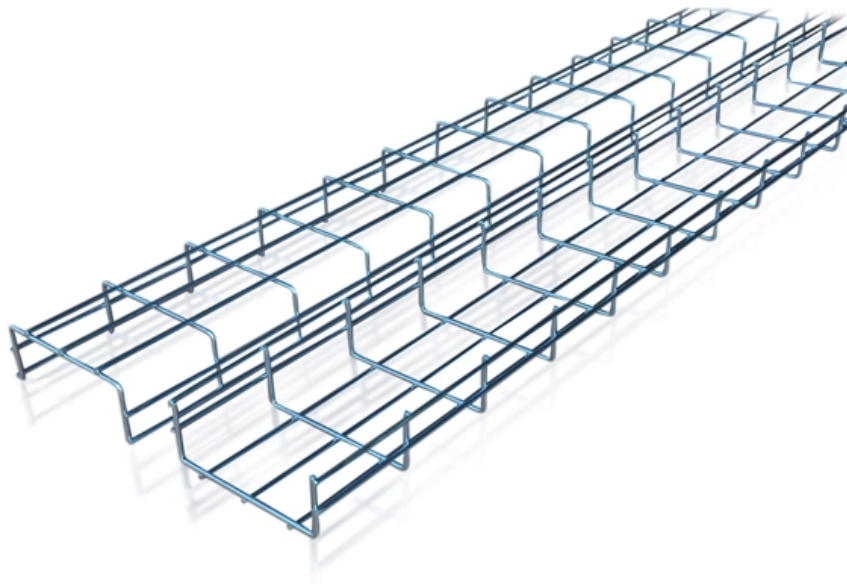




**Adam Tas Corridor Energy**

# **Portable Round Steel Elemental Spectrometer**





## Overview

---

This rugged 245x250x90mm portable spectrometer delivers fast, precise elemental identification in the field. The 50kV X-ray tube and high sensitivity Si-PIN diode detector provide accurate analysis of metal alloys, impurities, and more. lyte® is a mobile spectrometer, optimized for use in metal production, metal processing and metal recycling. When handhelds aren't enough, the amazing new SPECTROPORT portable metal analyzer applies more advanced OES technology — in a unit as easy to use as a handheld analyzer. SPECTROPORT delivers many advantages of SPECTRO's portable OES flagship, SPECTROTEST, in a smaller, lighter package. These carbon analyzers can measure carbon, phosphorous, sulfur, boron, arsenic and tin in low alloy and stainless steels, and.



## Portable Round Steel Elemental Spectrometer

---



### Portable Spectrometer for Metal Analysis

The portable spectrometer uses a low-power (4W) X-ray tube, a protective screen, and a micro-collimator to prevent the escape of X-rays, reduce the radiation, and

### Portable Metal Analyzer

It accurately analyzes elements such as carbon, sulfur, phosphorus, and boron. It's as fast as an XRF, with many analyses taking only a few seconds. And it enables effortless point-and-shoot



### Mobile optical emission spectrometer ferro.lyte®

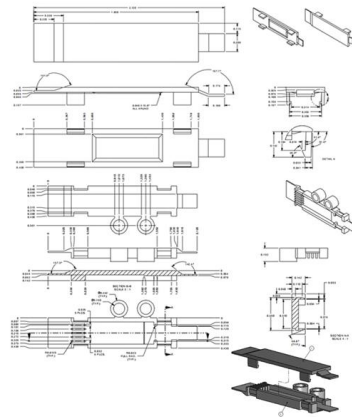
The optics, the heart of every optical emission spectrometer, are specially designed for use in harsh environments. Several sensors, specially developed for ferro.lyte,

### Elemental Analysis Solutions , ICP-OES, ICP-MS, XRF & OES

Elemental analysis determines which elements are present and in what amounts. Learn the



difference between qualitative vs quantitative analysis, how ICP-OES/ICP-AES, ICP-MS, XRF, handheld XRF,

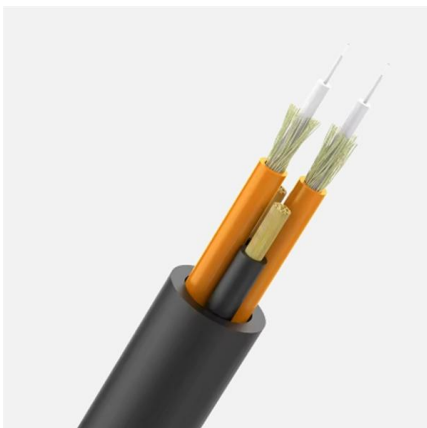


### Instruments for optical emission spectrometry (OES)

Our innovative instruments for optical emission spectrometry (OES) include mobile spectrometers for precise metal analysis wherever needed.

### Mobile optical emission spectrometer ferro.lyte®

Thanks to the low weight of 16 kg and the compact design, ferro.lyte offers optimal conditions for ad-hoc analysis or positive material identification (PMI) at locations that are difficult to access. It is the



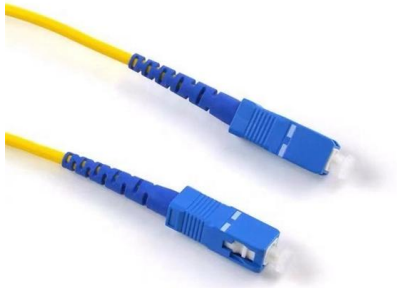
### Handheld XRF Spectrometer-RUISCI-LAB PRODUCTS QUALITY

Handheld XRF Spectrometer The Handheld XRF Spectrometer is a high-performance detection device that utilizes X-ray fluorescence technology, designed for rapid on-site elemental analysis across



## Optical emission spectrometer

SpectrOil 100 Series - (RDE-OES) Elemental Analyzer SpectrOil 100 Series is a precision benchtop RDE-OES elemental analyzer for lubricants, fuel, coolants



## GOYOJO Portable XRF Metal Analyzer

Meet your metal analysis needs anywhere with the JITA19201 Handheld XRF Analyzer. This rugged 245x250x90mm portable spectrometer delivers fast,

## Elemental Analysis Solutions & Analytical Instruments , SPECTRO

SPECTRO is a global leading supplier of advanced analytical instruments like ICP, Arc Spark OES, and XRF spectrometers for precise elemental analysis of materials.



## Portable Xrf Elemental Mineral Mining Exploration Xrf

Portable Xrf Elemental Mineral Mining Exploration Xrf Mineral Analysis X Ray Fluorescence Spectrometer, Find Details and Price about Handheld Xrf Metal



### Portable X-ray Fluorescence Spectrometer , XRF Metal

Description Video Download The EDX-3 Portable X-ray Spectrometer , XRF Metal Analyzer , Alloy Gold Tester can be used in the air to measure quickly, accurate,



### Mobile Optical Emission Spectrometers (OES) , Metal

Our Mobile OES solutions offer laboratory-grade performance with complete mobility. Designed for on-site analysis, they deliver rapid and accurate PMI, grade ID, and

### Portabler Metallanalysator

Bei Anwendungen, in denen RFA-Handspektrometer nicht ausreichen, überzeugt der neue portable Metallanalysator SPECTROPORT durch seine moderne OES





## Handheld XRF Spectrometer for Element Analysis

Portable alloy analyzer is an instrument that can accurately analyze the element content in metal samples, for handheld XRF spectrometer for



## Elemental Analyzers

Bruker manufactures instruments for elemental analysis from 100% down to the sub-ppb trace level. Easy-to-use solution packages help customers in process and



## Epsilon 4

Epsilon 4 benchtop spectrometers are used in mining operations, even at remote locations, for fast elemental analysis of ores, minerals and rocks. The

## Portable , Spectrometer

From analyzing light elements in steel to meeting the needs of oil and gas operators, the Compact Port is the best instrument for the job. Any Steel, Any Time. We offer the following services with each



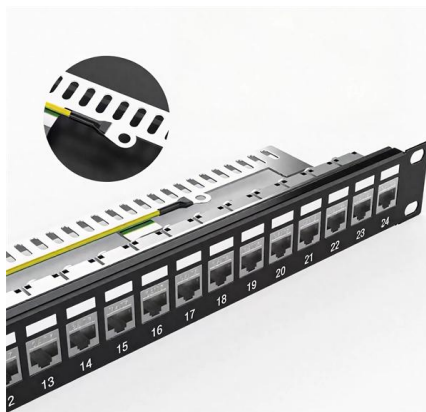
### Portable XRF Analyzer

SPECTROSCOUT - The portable, energy-dispersive X-ray fluorescence (ED-XRF) spectrometers that bring lab-grade analysis into the field or onto the production



### Portable Optical Emission Spectrometer , Mobile OES

A portable spectrometer giving you complete metals analysis when you need to reliably analyze steels and other alloying materials like aluminium, nickel and



### Portable Optical Emission Spectrometer , Mobile OES

Mobile Optical Emission Spectrometers for ultimate PMI/NDT metals analysis Spark optical emission spectrometers (OES) excel at providing full chemistry of critical



## portable spectrometer , Belec

Our Belec Compact Port HLC is your reliable partner for mobile metal analysis. With its robust design and state-of-the-art technology, it delivers accurate results,



## PG SPARK OES CCD METAL ANALYSER FOR

This high quality, affordable and compact OES Spark Spectrometer is perfect for the routine analysis of elemental content in materials such as Iron and Steels,



OM3 Fiber Patch Cable Family

## Portable XRF Metal Analyzer

Shop Portable XRF Metal Analyzer - Handheld 50kV Spectrometer - Fast Elemental Identification - Si-PIN Diode Detector - 6 Filters Peltier Cooling - Alloy Steel Precious Metals Mining Recycling online



## Portable Spectrometer / Handheld Spectrometer

Portable spectrometers / handheld spectrometers allow researchers to analyze samples on the go. Perfect for applications like field analysis of samples, identifying raw materials, and forensic analysis,



### **Portable XRF Metal Analyzer**

This rugged 245x250x90mm portable spectrometer delivers fast, precise elemental identification in the field. The 50kV X-ray tube and high sensitivity Si-PIN diode



### **Contact Us**

---

For datasheets, pricing, or custom telecom energy solutions, please visit:  
<https://koskolong.co.za>