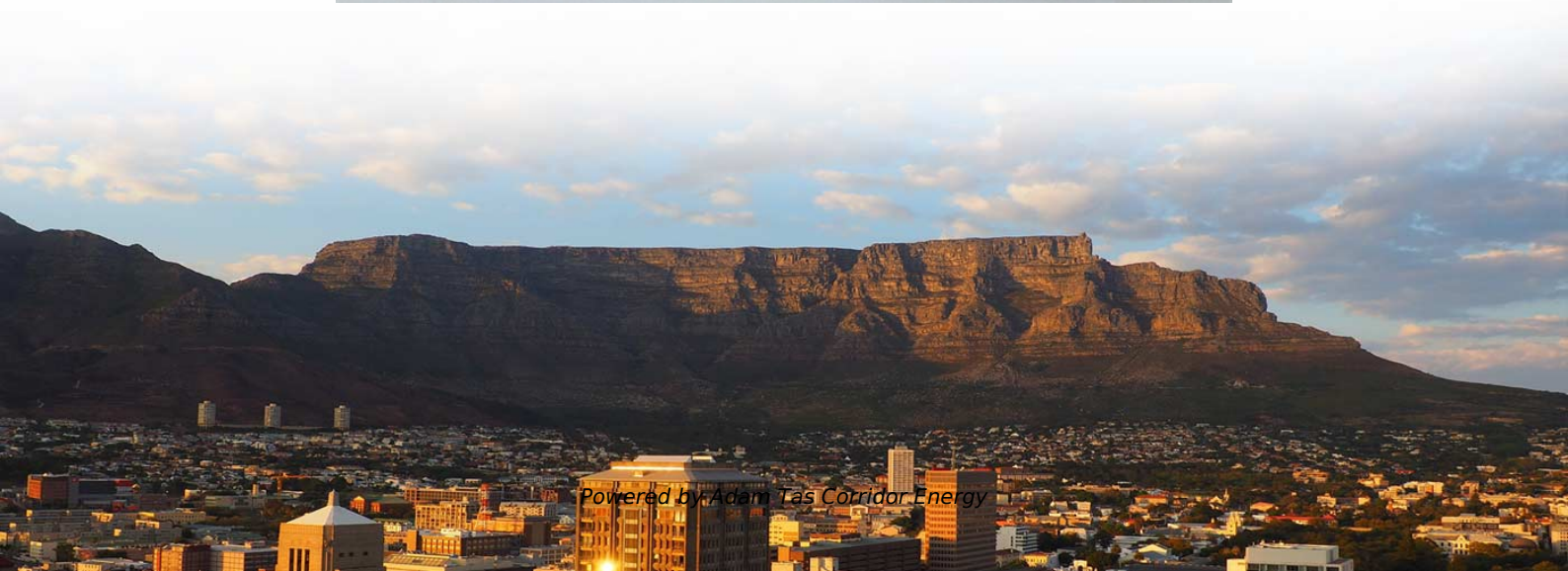




**Adam Tas Corridor Energy**

# **Power Plant Relay Protection Inspection Checklist**





## Overview

---

Your checklist should include logical sections covering visual inspection of relay panels and connections, functional verification of protection logic and trip circuits, calibration and accuracy testing of measurement inputs, documentation of settings and. A comprehensive relay protection system maintenance checklist ensures that every relay, control circuit, and protection scheme receives the verification it needs to perform reliably under fault conditions. Rare operation, critical function: Protective relays may operate only once every several. But failure to operate as intended can result in extensive damage, extended power outages, and loss of life. This article delves into the essential methodologies, best practices, and technological advancements that enhance relay testing protocols.



## Power Plant Relay Protection Inspection Checklist

---

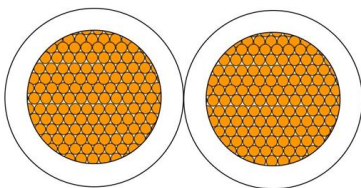
### Generator Protection Panel Checklist , PDF , Power Supply , Relay



The document provides a daily checklist for inspecting the equipment and systems at a hydroelectric power plant. It lists over 50 individual checks across several areas including generator protection

### Power Plant Safety Inspection Checklist With Status

Description This slide showcases status of tasks carried out for power plant safety. Key tasks mentioned are disconnecting power when not used,



### Protection Checklist for RTAMC Systems , PDF , Relay

This document provides a protection check-list for various relay systems and components at a substation. It includes checks for settings,

### Maintenance for relay

Check for any signs of damage, wear, or corrosion on the relay's exterior, including the contacts, insulators, and operating mechanisms.

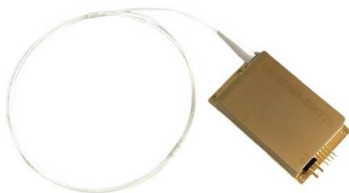


Clean the relay's exterior with a soft, dry cloth.  
Check the



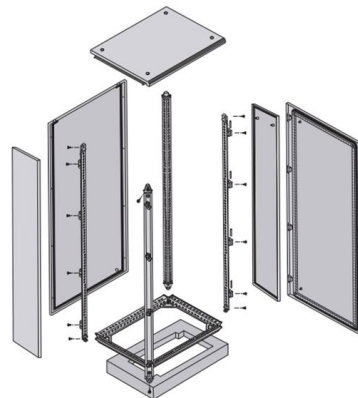
### Protection Relay Maintenance Checklist

This document outlines procedures for checking protection relays to ensure they are functioning properly. The objectives are to establish preventative maintenance



### Plant Engineering: Relay Procurement and Acceptance

The purpose of this report is to provide a checklist of considerations to be made when procuring and accepting relays for use in nuclear power plants. Operating experience in commercial plants reflects



### Protection Relay Testing and Commissioning

For many years, protection relays have been tested on analogue power system models such as artificial overhead lines, or test plant capable of providing significant currents.





## Control Relay Panel PPM Checklist

The checklist is to be used monthly or quarterly and includes identification information for the specific plant, equipment, and location being inspected.



## Relay Protection System Maintenance Checklist

Complete relay protection system maintenance checklist: inspection tasks, testing procedures & compliance documentation. Digitize your checklists

## Electrical Inspection Checklists

Electrical Inspection Checklists This pdf contains 77 electrical inspection checklists taken from the 2014 Electrical Inspection Manual with Checklists. The checklists are in PDF format and can be completed



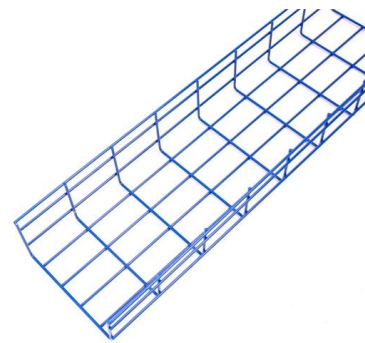
## FIST 3-8-March18-2010

Protective relaying is crucial to protect plant equipment and the electric power system. Therefore, a relay setting must not be changed unless approved by a qualified relay engineer.



## Relay Maintenance and Testing

Regular inspection and testing of a protection scheme is therefore recommended. HVM relay technicians understand the critical nature of working with an active protection scheme and the impact testing and



## Testing and Maintenance of Protective Relays

The performance of protective relay is affected by maintenance. Basic requirements of sensitivity, selectivity, reliability and stability can be satisfied only if the maintenance is excellent.

## PROTECTIVE RELAY TESTING

A comprehensive testing program should simulate fault and normal operating conditions of the relay. Acceptance testing, commissioning, and startup will include control power tests, current transformer



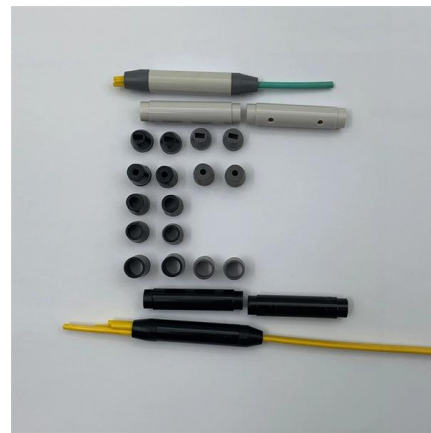


## Protection Relay Types and Testing Procedures

Introduction In modern electrical systems, protection relays are critical for ensuring safe and efficient operations. These devices safeguard assets

## Power Plant Maintenance Checklist Template: Ensuring

Download the template and simplify your maintenance operations today! A power plant's reliable operation is paramount for consistent energy

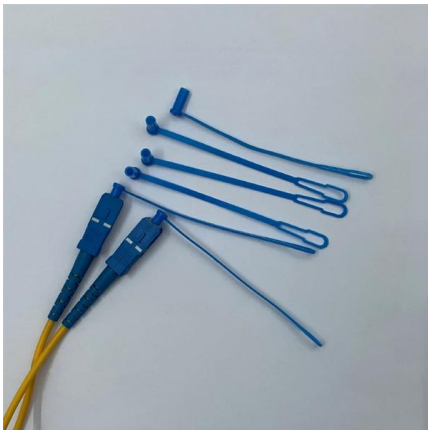


## FIELD ELECTRICAL TEST AND CHECK LIST OF PROTECTION RELAY

PROTECTION RELAY FIELD INSTALLATION CHECK LIST VISUAL AND MECHANICAL INSPECTION OF EQUIPMENT Yes No 1. Relays shall be inspected for physical damage and compliance with

## Free Electrical Inspection Checklists , PDF , SafetyCulture

Electrical inspection and maintenance checklists to ensure workplace adherence to safety regulations. Download SafetyCulture for free today.



## Plant Engineering: Relay Procurement and Acceptance

The checklist items included in this report were developed by subject matter experts (SMEs) actively involved in procurement and testing of relays. The technical advisory committee that developed this

## Power Systems Technician: Inspecting and Testing Protective Relays

Explore in-depth methods for inspecting and testing protective relays in electric power generation.



## Control Relay Panel PPM Checklist

The document outlines a preventative maintenance checklist for a control relay panel, listing safety equipment requirements, inspection points like checking





## Relay Testing and Maintenance , Delgado Relay Protection Reference

In conclusion, relay testing and maintenance are vital for ensuring the reliable operation of protective relays in power systems. Through testing, we can assess their performance and



## Ultimate Power Plant Preventive Maintenance Checklist

This library gives you 50+ ready-to-use PM checklist templates -- for steam turbines, gas turbines, boilers, generators, switchgear, cooling towers, and

### TD-3323S

This test determines whether protective relays, fault pressure relays, reclosing relays, reclosing supervisory relays, and associated control schemes are operating properly.



### Power Plant Inspection Checklists: Pre-Outage, Post-Outage & Daily

Every unplanned outage in a power plant starts the same way -- a missed inspection, a skipped check, or a reading that nobody recorded. Standardized are the single most effective tool



## Pre-Commissioning Checklist for Transformers , PDF

Pre Commissioning Tests Checklist - Free download as Word Doc (.doc / .docx), PDF File (.pdf), Text File (.txt) or read online for free. 1. The document provides a



## Commissioning tests of protection relays at site

Installation of protection relays Installation of protection relays at site creates a number of possibilities for errors in the implementation of the scheme to

## Contact Us

---

For datasheets, pricing, or custom telecom energy solutions, please visit:  
<https://koskolong.co.za>