



Adam Tas Corridor Energy

Preparation for Optical Cable Line Construction





Preparation for Optical Cable Line Construction



Design Guide

Fiber optic cables, especially backbone cables, may contain many fibers that connect a number of different links which may not even be going to the same place. The fiber optic cable plant, therefore,

General Optical Fiber Cable Installation Considerations

General Optical Fiber Cable Installation Considerations Some key considerations for installing optical fiber cable are highlighted below. Failure to follow these guidelines may result in damage or



Design Guide

Having good construction plans will help in working with cable manufacturers to find the appropriate cable types and ordering sufficient quantities. One must always order more cable than route lengths,



4 Common Optical Cable Construction Methods

There must be a very complete design and construction drawings to facilitate and reliable



construction and future inspections. During construction, we



Fiber Optic Installation Process: Complete Guide (2025)

Fiber Optic Installation Guide Planning The fiber optic installation process begins with thoroughly planning your infrastructure and fiber optic cable



The FOA Reference For Fiber Optics -Outside Plant

Project Preparation And Guidelines Outside Plant Installations Outside plant (OSP) installations of fiber optic cables can be much more diverse that other installations



The FOA Reference For Fiber Optics -Outside Plant

Outside Plant Construction Guide Introduction Review Of Fiber Optic Technology. Project Preparation And Guidelines. Underground Cable Construction.





A High-Level Overview of the Fiber Construction Stages

Get a high-level overview of the fiber construction stages and what to expect. This comprehensive guide explains each step of the process, helping you set realistic

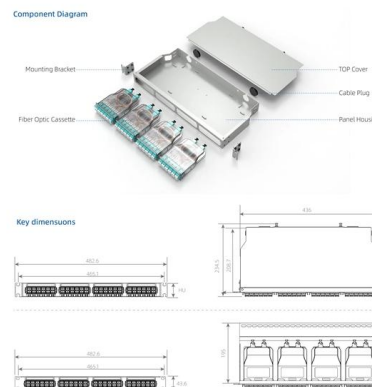


Optical Fiber Cable Installation Guideline

Recommendations for Fiber Optic Cable Installation. Where reels are supplied with protective material fitted over the cable, the protection should remain in place until the cable will be installed. During

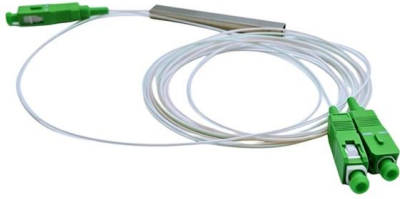
The FOA Reference For Fiber Optics -Outside Plant

Aerial Cable Installation Aerial Cable Installation Deploying fiber above ground on poles or towers removes the need for underground digging and is particularly



Overhead Optical Cable Construction Guidelines

In the communications industry, how to construct overhead optical cable is a problem that many front-line communications construction workers will



Optical Fiber Cable Engineering Construction: A

Optical Fiber Cable engineering construction refers to the process of designing, planning, executing, and maintaining communication system infrastructure by



OPTICAL FIBRE CABLES INSTALLATION GUIDE

In any cable deployment, whether it is optical fibre or any other type of cable, it should be considered the considerable number of tasks related to the manipulation and laying of the cable. Cable laying needs



The FOA Reference For Fiber Optics

Preparing For Premises Fiber Optic Installations
Every outside plant cable project will include some premises cabling where the OSP cables are terminated, so every





Recommended Practices for Optical Fiber Construction

These recommended practices cover all aspects of optical fiber construction and testing from project management, through deployment, to activation and testing.

General Optical Fiber Cable Installation Considerations

Some key considerations for installing optical fiber cable are highlighted below. Failure to follow these guidelines may result in damage or attenuation increases of the optical fiber or cable.

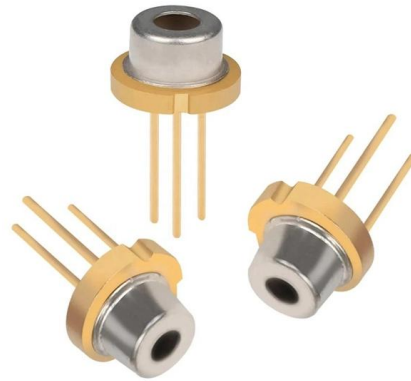


Cable Preparation Best Practices for Fiber Optic Indoor/Outdoor

This best practices document is a step-by-step guide for end and midspan access of loose tube optical cable, including sheath removal, core preparation, and fiber preparation.

InstallGuide

Fiber optic cables, like all communications cables, are sensitive to compressive or crushing loads. Cable ties used with many cables, especially when tightened with an installation tool, are harmful to fiber



4 Common Optical Cable Construction Methods

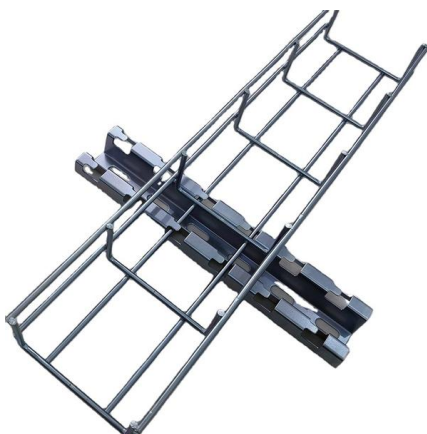
2) Outdoor pipeline/duct optical cable construction: A. Before construction, the pipeline occupancy should be checked, the plastic sub-tube



1075KWHH ESS

The FOA Reference For Fiber Optics

Fiber Optic Cables - Fiber Optic Cable Preparation
This virtual hands-on page will take you through the steps involved in the process. Look at the slide graphics and then read the notes below.
The notes



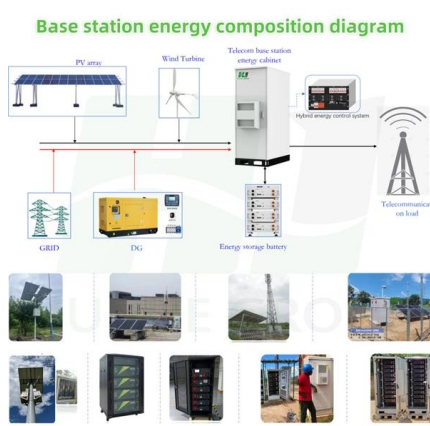
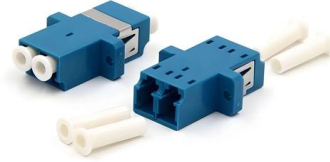
How To Set Up Overhead Fiber Optic Cable? -- ZMS

Fiber optic cable construction is roughly divided into the following steps: preparation -> routing project -> fiber optic cable laying -> fiber optic cable splicing -> project



Recommended Practices for Optical Fiber Construction

Executive Summary This recommended practices document is a comprehensive manual for optical fiber construction and testing. Sections are included for project



Optical cable construction process and problem analysis

What are the construction procedures for optical cables? The construction procedures of general optical cable lines are mainly divided into five stages: preparation, laying, connection, testing

Discussion on the Key Points of Optical Cable Line Construction

In the construction process of optical fiber communication engineering, it is necessary to pay attention to how to improve the construction technology of optical cable line, so as to



Contact Us

For datasheets, pricing, or custom telecom energy solutions, please visit: <https://koskolong.co.za>