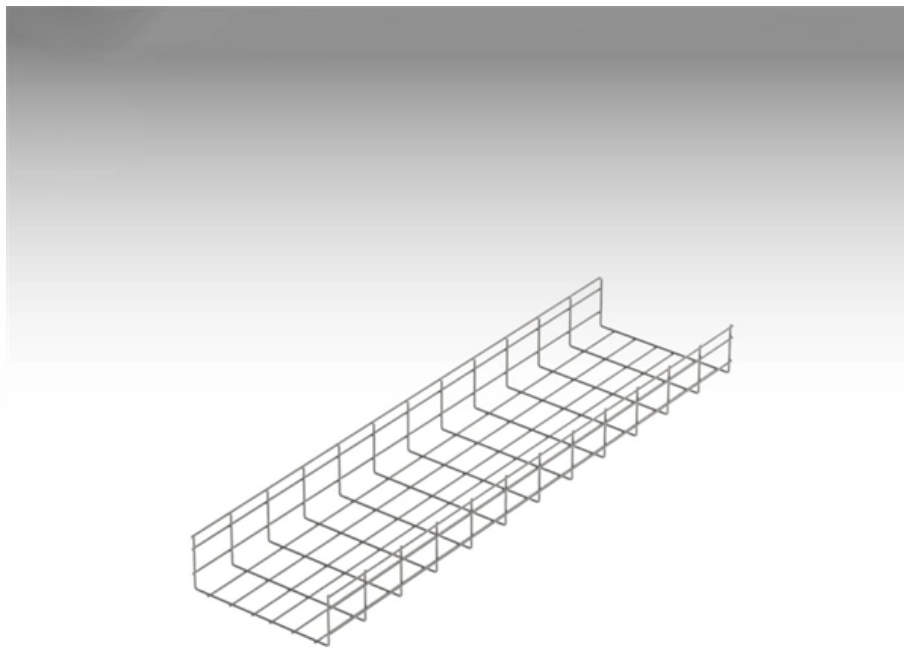




Adam Tas Corridor Energy

Price Trend of Fluorescent Fiber Optic Sensors



Grid Cable for
marine and offshore
applications





Price Trend of Fluorescent Fiber Optic Sensors



Global Fiber-Optic Sensors Market Size, Growth Analysis, Trends

Explore the Fiber-Optic Sensors Market forecasted to expand from USD 2.12 billion in 2024 to USD 5.47 billion by 2033, achieving a CAGR of 11.5%. This report provides a thorough analysis of industry

Fiber Optic Sensors Market Size, Share, Growth to 2036

Fiber optic sensors play an important role in the development of communication systems to sense and measure the change in phase, wavelength, noise, uneven



Fiber Optic Sensors Market Size, Share , Forecast [2026-2035]

The Fiber Optic Sensors Market Size is USD 2.37 billion in 2026 and will reach USD 6.22 billion by 2035, growing at 11.3% CAGR.



Fiber Optic Sensors Market Report: Size, Growth, Trends & Forecast

Fiber Optic Sensors Market size is projected to reach USD 8.56 Billion by 2032, growing at a



CAGR of 10.80% from 2026 to 2032 The report provides key trends, growth drivers, segment analysis, and



Global Fiber Optic Sensors Market Analysis 2024-2030 , Trends,

The global fiber optic sensors market estimated at US\$3.8 billion in the year 2024 is projected to grow at a CAGR of 9.4% and reach US\$7.2 billion by 2030. Discover key trends, market size, growth



Fluorescence

Fiber-optic sensors operating on a variety of principles, and detecting a great variety of analytes and influences such as temperature or pressure, have been described in the literature(1,2). An important



Fiber Optic Sensors Market: Industry Trends, Size, Share

Fiber Optic Sensors Market Overview: The Fiber Optic Sensors Market overview provides a comprehensive understanding of the analyzed market. It includes an





Fiber Optic Sensor Market

The North American region remains the largest market, while the Asia-Pacific region is experiencing the fastest growth in fiber optic sensor adoption. Intrinsic sensors dominate the market,



Fiber Optic Sensors Market Size & Analysis 2035

Global Fiber Optic Sensors Market worth USD 2.13 Billion in 2026 is projected to reach USD 5.59 Billion by 2035, expanding at a CAGR of 11.3%.

Fiber Optic Sensor Market Size, Top Players, Trends & Growth Graph

Driven by the growing demand for equipment and the ability of fiber optic sensors to accurately detect temperatures and strain across various locations, the oil and gas sector is



Fiber Bragg Grating Sensor Price - FBG Temperature

Fluorescent fiber optic sensors offer straightforward solutions for point temperature measurements. Simple monitoring of 4-6 critical temperatures per



Fiber Optic Sensors Market Size, Growth & Analysis, 2034

The high costs associated with fiber optic sensors will restrict their adoption among small-scale industries, hampering the growth of the global fiber optic sensors market.

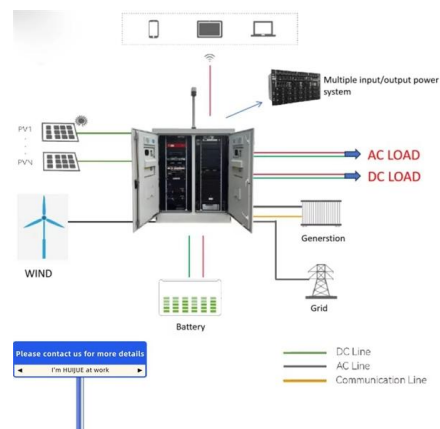


Fiber Optic Sensor Market Size , Industry Forecast To 2031

The global fiber optic sensor market is estimated to reach over USD 7,539.57 Mn by 2031 from USD 3,541.02 Mn in 2023, growing at a CAGR of 9.9% from 2024 to

Distributed Fiber Optic Sensor Market Size 2025 to 2035

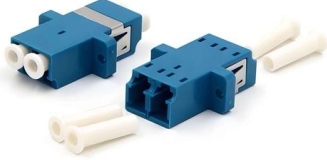
Key Takeaways, Market Size, and Forecast The distributed fiber optic sensor market is expected to reach USD 1.72 billion in 2025. By 2035, the





Fiber Optic Sensors Market Research Report 2033

The integration of fiber optic sensors in healthcare not only improves patient outcomes but also drives cost efficiencies for healthcare providers, further fueling market expansion.



Fiber Optic Sensors Market Size, Growth, Share by 2031

The fiber optic sensors market size is projected to reach US\$ 6.76 billion by 2031 from US\$ 3.61 billion in 2024. The market is expected to register a CAGR of 9.7%



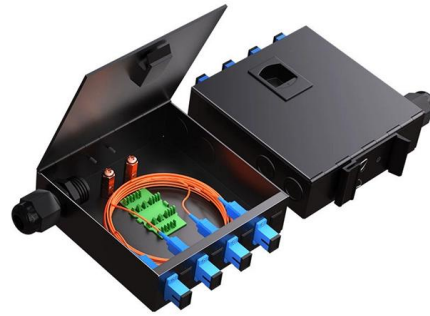
Distributed Fiber Optic Sensor Market Size, Share and

The Distributed Fiber Optic Sensor Market is projected to reach USD 2,630.7 million by 2030 from USD 1,581.1 million in 2025, at a CAGR of 10.9% from 2024 to 2030.



Fluorescence Based Fiber Optic Temperature Sensors

Conventional sensors such as thermocouples and RTDs work well in normal conditions, but they start showing limitations when the environment becomes



Fiber Optic Temperature Sensor Price Analysis

This article aims to dissect the pricing structures of different fiber optic temperature sensors, including fluorescent, distributed, and FBG types, to shed light on the investment required



Global Fiber Optic Sensors Market Size and Industry Analysis

Report Scope This study analyzes the many types of fiber optic sensors, including intrinsic and extrinsic sensors, as well as the many applications of these sensors, such as defense, energy, construction,



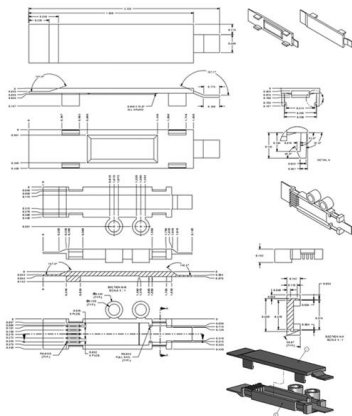
Fiber Optic Sensing System Market Size to Hit USD

The global fiber optic sensing system market size is estimated at USD 3.50 billion in 2025 and is anticipated to hit around USD 7.70 billion by 2034 with



Optical Fluorescent Sensor Technology , Fibre Sensing

Leading developer of fiber optic temperature sensing and partial discharge monitoring solutions for switchgear, data centers, energy, and life sciences,

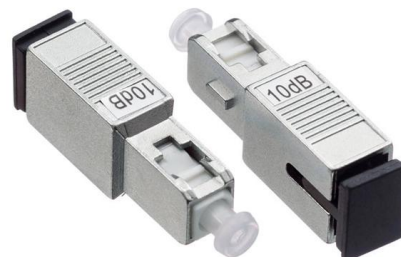


Fiber Optic Sensor Market

Fiber Optic Sensor Market Overview A fiber optic sensor is a device that uses optical fibers for sensing various physical parameters such as temperature, pressure,

Fiber Optic Sensors Market Growth & Trends

Ongoing investments in smart infrastructure and IoT-based sensing systems are expected to unlock new opportunities for fiber optic sensors. Over 60% of R& D budgets are now being channeled toward





Fiber Optic Temperature Sensor Price Analysis

FBG sensors strike a balance between cost and performance, providing high accuracy at specific points. Market Dynamics and Trends The pricing of fiber optic temperature sensors is also

Fiber Optic Sensors Market Size, Share , Forecast [2026-2035]

While cost sensitivity and shortage of skilled personnel pose challenges, ongoing government investments, commercial automation, and technological improvements are positioning



Fiber Optic Sensors Market Growth Analysis

Sensor calibration and packaging technologies have improved, making fiber optic sensors more cost-effective and easier to use. The market is characterized by

Distributed Fiber Optic Sensor Market , Industry Report,

Distributed Fiber Optic Sensor Market Summary
The global distributed fiber optic sensor market size was valued at USD 1.64 billion in 2025 and is projected to



Fiber Optic Sensors Market 2025

While prices have decreased over the past decade, premium fiber optic sensing systems remain significantly more expensive than traditional electronic sensors.

Fiber Optic Sensors Market Size, Share, Growth, Trends

The global Fiber Optic Sensors market growing at a CAGR 4.93% during 2021-2030. The objective of report is to define, segment, and project the



Contact Us

For datasheets, pricing, or custom telecom energy solutions, please visit:
<https://koskolong.co.za>