



Price of Cold Aisle Base for Computer Room





Price of Cold Aisle Base for Computer Room

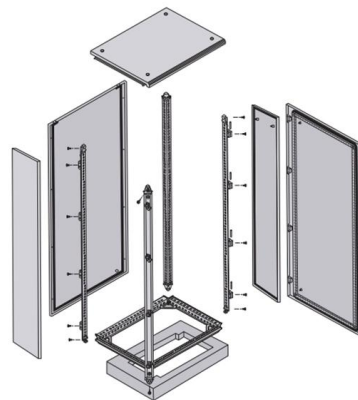


Cost-Effective Data Center Containment Installation

By separating hot and cold air streams, containment minimizes energy waste and optimizes cooling, resulting in significant cost savings. This

Cold Aisle Containment: The Best Option?

What Is Cold Aisle Containment? Cold Aisle Containment, also referred to as CAC, is a system that isolates a cooled air supply from Computer



A Guide to Hot and Cold Aisle Containment for Optimizing Server Room

Training and Awareness The hot and cold aisle strategy is a proven method for improving cooling efficiency and reducing energy consumption in data centers. By carefully planning the layout of

FOCUSED COOLING USING COLD AISLE CONTAINMENT

While either hot aisle or cold aisle containment systems can be installed and are both capable of



increasing efficiency and cooling today's high heat data centers, meaningful differences exist in how



Data Center Aisle Containment

Traditional open aisle data centers use perimeter PAC (precision air conditioning) or CRAC (computer room air conditioning) units to channel cold air up through a

Hot and Cold Aisle Containment: What You Need to

Aisle containment is a physical means of separating hot (exhaust) and cold (supply) air. It can be accomplished via thoughtful room design, cabinet



Cold Aisle Containment

If properly installed you can expect 20-50% reduction in cooling costs. Efficiency is maximized if the cooling systems with variable speed fans and there is a good



The Advantages And Disadvantages Of Hot-Aisle, Cold

But there are some disadvantages to cold-aisle containment. Allowing the discharge air from the hot aisle to fill the room results in temperatures



Hot and Cold Aisle Containment Solutions Ardmac

Get expert hot and cold aisle containment solutions for your data centers with Ardmac. Our tailored approach maximises efficiency.

Hot / Cold Aisle Containment

Sliding Doors offer data centers aisle-end containment in just minutes and without the need for contract labor. The one-tool design allows for quick and easy installation, removal, and re-installation with



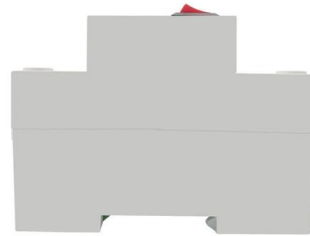
Data Center Curtains , Hot & Cold Aisle Containment

Data Centers and Equipment Rooms Anti-Static Data Center Containment Curtains, Doors, and Partitions - The Ideal Solution for Data Centers
Data center managers



Data Center Cooling Costs & How To Reduce Them

Modern liquid cooling systems can cost between \$1,000 and \$2,000 per kW cooled. Add that to the initial investment cost, and potential consulting

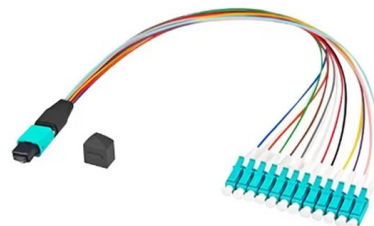


Cold Aisle Containment Systems , Server Room Environments

Looking for cold aisle containment systems and POD related products? The Server Room Environments projects team provides a complete design, installation and maintenance service for data centre

Cold Aisle Containment in Data Centers , Subzero

Minimize your data center's footprint, establish optimal operating efficiencies and save money with cold aisle containment. Learn more here!





Aisle Containment

Open Aisle Containment Traditional open aisle data centres use perimeter PAC (precision air conditioning) or CRAC (computer room air conditioning) units to

Cold Aisle , BladeRoom Data Centres

Knowledge base - cold-aisle A cold aisle is a cooling strategy where the fronts of server racks face each other, creating a dedicated pathway for cool air from the cooling systems to flow directly into the



Tripp Lite Roof Panel Kit for Hot/Cold Aisle Containment

Product description Tripp Lite's aisle containment system manages Airflow for more cooling efficiency. Upon installation in your data center or server room, the modular, easy-to-assemble Aisle

How to Make the Right Choice? Comparison between the Enclosed Cold

Air Distribution Diagram of the Isolated Cold Aisle
Air Distribution Diagram of the Isolated Hot Aisle
01 Prerequisites for Selecting Cold/Hot Aisle
Enclosure Not all data center computer rooms



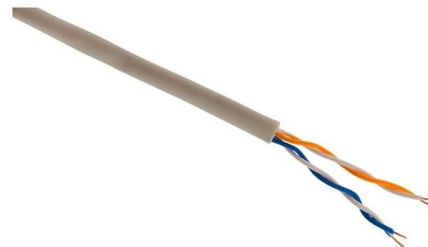
Aisle Containment for Server Rooms and Data Centers

Shop aisle containment solutions at Server Racks Online. Explore hot and cold aisle containment systems, including doors, panels, and ceilings. Improve data center airflow, cooling efficiency, and



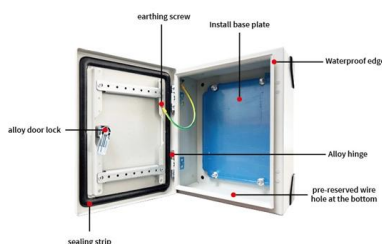
Hot & Cold Aisle Containment Doors for Data Centers Archives

Multiple standard height and width options allow the doors to be optimized for various cabinet heights and aisle widths. Choose from Black and Silver. Available in a variety of widths. Custom powdercoated



Data Center Hot/Cold Aisle Containment Systems , Eaton

The components are organized into modular kits and come with assembly hardware for easy step-by-step installation. Depending on your hot-aisle/cool-aisle needs,





Module Data Center Integrated Computer Room Cold

(1) All parts of the cold aisle (except skylights) are made of cold-rolled steel plates, and the thickness of the load-bearing parts is not less than 2.0mm, and the



Ordering information

NO.	1	2	3	4
Model	P24H1	P24H2	P24H3	P24H4
Product name	Patch Panel	Patch Panel	Patch Panel	Patch Panel
Illustration				
HU	1	2	3	4
Maximum number of cores	96	192	288	384
Product size (including module and adapter)	482.0*208.7*63.2mm	482.0*208.7*68.3mm	482.0*208.7*113.5mm	482.0*208.7*177.0mm
Standard color code	RAL9005	RAL9005	RAL9005	RAL9005

Move to a Hot Aisle/Cold Aisle Layout

A Time-tested Technique The hot aisle /cold aisle data center layout was originated by IBM in 1992 and it is one of the oldest ways to save energy in the data center.

Hot & Cold Aisle Containment Systems For Data

Cool Shield(TM) products provide customers with versatile, turnkey aisle containment systems for new or existing critical spaces. Our offerings range from a single row



Hot Aisle vs. Cold Aisle Containment for Data Centers

Hot Aisle Containment vs. Cold Aisle Containment The goal of hot and cold aisle contaminants is very similar, even if they are entirely different



Hot/Cold Aisle Containment , AZE

Keep hot exhaust air, emitted from server racks, separated from the cold air its simplest form, Hot Aisle Containment (HAC) consists of a barrier that guides hot



Modular Cold Aisle Containment w/ 45U Server

AZE's Aisle containment systems designed to maximize cooling predictability, capacity, and efficiency at the rack, row or room level. The Aisle Containment



Modular Cold Aisle Containment w/ 45U Server

AZE offers smart modular customizable hot and cold aisle containment solutions with 42U to 52U floor standing server rack enclosures. Save energy, reduce hotspots



Data Center Aisle Containment

Based on our typical 500kW installation, an open aisle data center will operate in full free cooling mode for just 1% of the year, with a requirement for some form of

Aisle Containment for Server Rooms and Data Centers

Enhance cooling efficiency and reduce energy costs with aisle containment solutions from Server Racks Online. Designed for data centers and IT environments, our hot aisle and cold aisle containment



Why should the computer room design hot and cold aisles?

The long arrangement of cabinets also provides conditions for low-cost handling of the isolation of hot and cold aisles. The airflow organization in the equipment



Cold Aisle Containment: The Ultimate Guide To

Additionally, cold aisle containment tends to be easier to implement compared to hot aisle containment, as it typically requires fewer modifications to the existing



Contact Us

For datasheets, pricing, or custom telecom energy solutions, please visit:
<https://koskolong.co.za>