



Adam Tas Corridor Energy

Price of Fireproof Sealing for Cable Trays





Price of Fireproof Sealing for Cable Trays



Fire Rated Cable Tray

Cable tray designed to offer continuous support of cables Rated load of 12.5kg per metre over a 1.5m Span 1500mm Trapeze Support Spacing Complies with

Firestopping cable runs

Firestopping through concrete barriers, installing wall boxes and using cable trays are the most common problems in this area. Firestopping cable trays is



Fireproof pillow for cable tray penetrations

AF BAGS are intumescent and ablative fireproof pillows certified under EN 1366-3 for sealing up to EI 240 of cable tray penetrations.



Fire sealing cable penetrations

Cable penetrations and fire safety There are many different types of cables and cable penetrations that can pass through fire



compartment walls. For example,



Cable Trays Manufacturers and Suppliers

Buy the best selection of high-quality Cable Trays at wholesale prices from leading international manufacturers, suppliers, exporters, and distributors at Tradewheel .

Fire Sealant for Cable Tray 2026

Find top-rated fire sealant for cable tray with up to 4-hour fire rating, halogen-free, smoke-tight seals. Click to explore verified suppliers, customizable options, and fast delivery in 2026.



Trunking & Cable Tray Protection

Trunking & Cable Tray Protection Fireproof pillows, pads and wraps for trunking Sort by: Showing 1 - 6 of 6 products View





Cables

FIRSTO firestops are designed to seal multi-cable and cable tray penetrations of fire-rated walls and floors. FIRSTO fire stops are



Cable and pipe seals

More than a firestop the roxtec sealing system for cables and pipes protects against fire - but also against gas, water, and several other risk factors. our solutions are easy to use and help you ensure

Firsto System , CSD Sealing Systems

FIRSTO firestops are designed to seal multi-cable and cable tray penetrations of fire-rated walls and floors. FIRSTO fire stops are developed as a modular system



Fire Proof Cable Entry Sealing System As Per IS And FM

Anand Fire & Safety - Offering Fire Proof Cable Entry Sealing System As Per IS And FM, Flame Retardant in Ahmedabad, Gujarat. Also get Fire



EZ-Path Cable Tray Retrofit Device

The EZ Path® Cable Tray Retrofit Device provides a fast, code-compliant way to restore firestopping performance in cable trays with up to 100% visual fill.



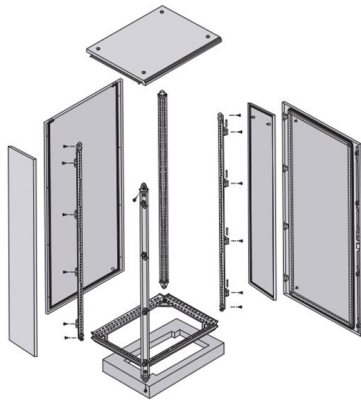
Trunking and cable trays

Our range of trunking and cable trays products are ideal fire protection solutions for electrical services passing between walls, floors and ceilings.

Fire-Resistant Cable Trays , Trafalgar Fire Products

Discover Trafalgar Fire's fire-resistant cable trays. Ensure safety and compliance with our top-quality fire protection solutions for cable management.





KBS - Cable Fire Protection and Penetration Sealing , Wolman

KBS ® Pipe Seal M collars effectively ensure protection against the passage of fire and smoke in the event of fire. This fire stopping solution ensures that flames and smoke gases cannot spread to the

0708d_PA_Cheat_L dd

Firestopping Cable Installations Don't introduce fire hazards when working on a new project. Ensuring your cable runs don't compromise established barriers is often your responsibility.



AF SYSTEMS AF BAGS Firestop cushions for cable trays

AF BAGS By AF SYSTEMS Type Firestop cushions for cable trays AF BAGS are intumescent and ablative fireproof pillows certified under EN 1366-3 for sealing up

News

· Thorough Filling with Fireproof Mortar: Fill the gaps between the cables, trays, fire blocking materials, and water stop platform with fireproof mortar. The sealing should be uniform and tight, creating a



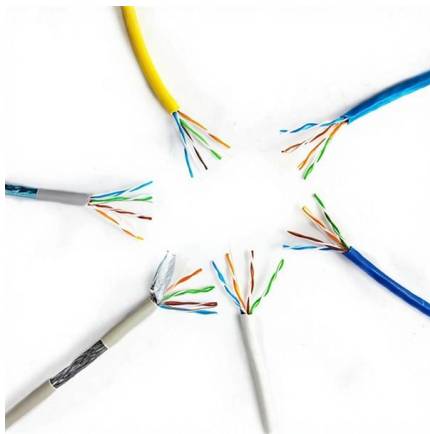


Trunking & Cable Trays

Fireproof protection for cables, pipes, services, lights, electrical units, trunking, sockets and welding. This symbol means that the product can be tinted at no

Fire protection for cables & cable trays , Flamro

Fire protection solutions to protect cables, cable trays and cable systems. Discover our tested cable coatings and fire protection bandages!



Fire Rated Cable Coatings and Penetration Sealing

Fire Rated Cable Coatings and Penetration Sealing Protective Coating Systems are specialists in Fire Rated Cable Coatings & Penetration Sealing Firestop Mortar is

Fireproof Cable Tray Enclosures: Keep Cabling Systems

Sinisi Solutions works with major utilities and clients to design cable enclosures that protect critical cabling and cable tray setups from heat and fire, and blasts. Sinisi



Trunking & Cable Tray Protection

Fire resistant sleeve to protect cable conduits passing through wall



Cable Tray Covering & Fire Protection

Whether you need certified fireproofing, firestopping, insulation, or photoluminescent safety systems, our team is ready to support your project with rapid response and code-compliant solutions.



100m(Distance)
850nm(Wavelength)

SMF(Fiber Type)

Contact Us

For datasheets, pricing, or custom telecom energy solutions, please visit:
<https://koskolong.co.za>