



Adam Tas Corridor Energy

Price of Romanian Data Center Interconnect Anti-Critical Tracking Optical Cable Junction Box





Price of Romanian Data Center Interconnect Anti-Critical Tracking O

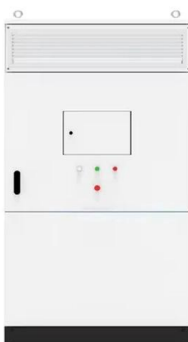
Data Center Interconnect (DCI) Market Report 2026, Size



Data center interconnect (DCI) refers to a technology that links multiple data centers over varying distances, from short to long, utilizing high-speed packet-optical

Optical Interconnect Market Size , Industry Report, 2030

Optical Interconnect Market Summary The global optical interconnect market size was estimated at USD 16.06 billion in 2024 and is projected to reach USD 34.54



Data Center Interconnect Market Size , Industry Report,

Data Center Interconnect Market Summary The global data center interconnect market size was estimated at USD 10.12 billion in 2024 and is projected to reach

Data Center Interconnect Solutions Market Analysis, Size

Explore in-depth regional segment analysis with market size data - historical 2019-2023 and



forecasts 2025-2029 - in the full report. The market continues to evolve, driven by the ever-increasing demand



Data Center Interconnect Solution , Huawei Enterprise

So lution s Integrated Optical Bearer Solution for Data Centers This solution builds ultra-broadband, simplified, and intelligent DCI to meet customers' requirements

Romania Mission Critical Interconnect Solution Market (2025-2031

The Romania Mission Critical Interconnect Solution Market is primarily driven by the increasing demand for reliable and high-performance data communication solutions across various industries such as



Data Center Interconnect Solutions Market Analysis, Size

Research Analyst Overview The Data Center Interconnect (DCI) solutions market is experiencing significant growth, driven by the increasing demand for high-speed, secure, and efficient connectivity



Beyond Copper and Optical, a New Interconnect Eyes

Both copper and optical interconnects face limitations as choices for next gen data centers. Learn how a third option promises to enable scaling up AI



Data Center Interconnect Equipment Market Research Report 2033

The Data Center Interconnect Equipment market is segmented by type into Optical, Packet, and Hybrid solutions, each catering to distinct connectivity requirements and performance benchmarks.

Data Center Interconnect Market Trend Analysis Report 2025-2034

Surge in Digital Transformation Drives Demand for High-Speed Data Center Interconnects; Enterprises Embrace 400G/800G Optical Solutions for Low-Latency and Secure



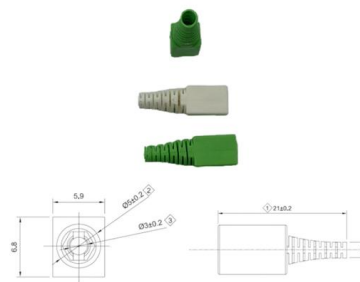
PACKET OPTICAL DATA CENTER INTERCONNECT SOLUTION

Juniper Networks packet optical Data Center Interconnect (DCI) solution lets operators turn up and extend inter-data center capacity quickly and cost effectively. It's a simple, open, and smart solution



What is Data Center Interconnect (DCI)?

Data Center Interconnect (DCI) technology connects two or more data centers together over short, medium, or long distances using high-speed packet-optical



2025 Global AI Data Center Interconnect Trends

AI-driven data centers evolve from single-chip to heterogeneous multi-GPU architectures. High-speed optical interconnects enable scalability, while

Optical Data Center Interconnect , Nokia

Deliver scalable optical data center interconnect and data center connectivity to meet growing AI demands with performance, efficiency, and security.





Optical Interconnect Market Size, Share & Trends



The optical interconnect market is anticipated to grow due to the increasing deployment of data centers. Most governments and companies rely on

Data Center Optical Interconnection Solution

Huawei OptiXtrans DC908 series is a leading intelligent Data Center Interconnect (DCI) product. It provides high scalability to meet the surging capacity demand in



Fiber optics for data centers: the state of the art in 2025

Blog Fiber optics for data centers: the state of the art in 2025 The datacom optical component market will grow over 60% to exceed \$16 billion in revenue during 2025, driven primarily

Optical Interconnect Market Size, Share, Trends

The Optical Interconnect Market is witnessing rapid expansion as global data traffic surges, hyperscale data centers scale aggressively, and high-performance



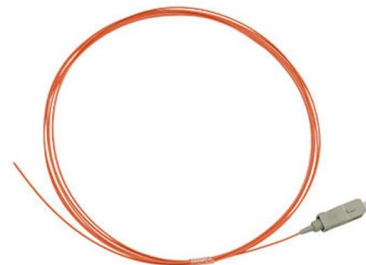
Data Center Interconnect Market Size & Share 2025

OTN can be used to interconnect data centers securely and reliably and provide high-speed, low-latency data transport that is critical to AI-driven applications and



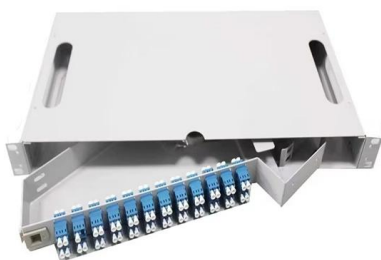
All AI Data Center Interconnects Will Be Optical Within 5 Years

All AI Data Center Interconnects Will Be Optical Within 5 Years InP and SiPho join CMOS as critical technologies. Lasers, CPO and OCS will be everywhere (indium phosphide, silicon



LPO vs CPO: Which Will Dominate the Data Center

In the rapidly evolving landscape of data center optical interconnects, the competition between LPO (Laser Phased-locked Oscillator) and CPO





Data Center Interconnect Market Size, Global Report 2035

Data center construction statistics, fiber optic deployment data, regulatory spectrum allocations, patterns of capital expenditures, and market



Data Center Interconnect Market

The Data Center Interconnect Market worth USD 18.62 billion in 2026 is growing at a CAGR of 14.73% to reach USD 42.45 billion by 2032. Ciena Corp,

What is Data Center Interconnect (DCI) and Why Optical

Data Center Interconnect (DCI) is the backbone of today's digital economy. By enabling secure, high-capacity, and low-latency connectivity



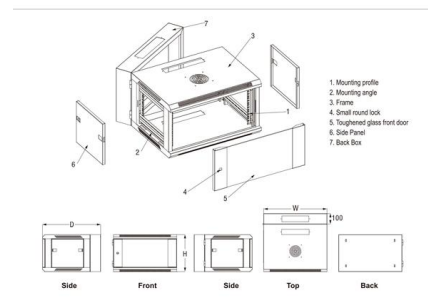
Data Center Interconnect Market Size, Global Report 2035

An examination of the annual revenues that have been reported and modeled for the data center interconnect product portfolios, which include



Intel Demonstrates First Fully Integrated Optical I/O Chiplet

Intel Corporation's Integrated Photonics Solutions (IPS) Group has demonstrated the industry's first fully integrated bidirectional optical compute



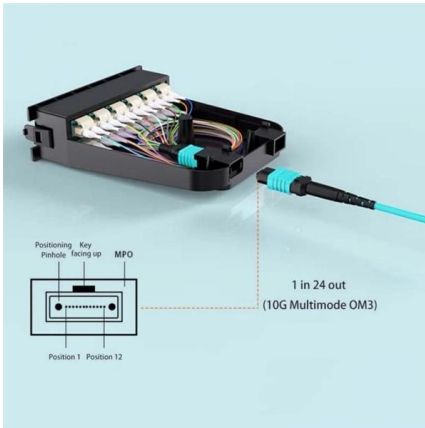
Optical Interconnect Market Demand, Share, Forecast to

The global optical interconnect market size is expected to reach USD 44.08 billion in 2032, growing at a CAGR of 13.29% over the forecast period

Optical Interconnects for Data Centers

Discover the benefits and applications of optical interconnects in modern data centers, enhancing performance and efficiency.





Opportunities in networking optics: Boosting supply for data centers

-- Coherent-lite optics. This technology delivers cost-effective, lower-power coherent transmission for shorter reaches--such as data center interconnect and metro inter-data center optics (front

Contact Us

For datasheets, pricing, or custom telecom energy solutions, please visit:
<https://koskolong.co.za>