



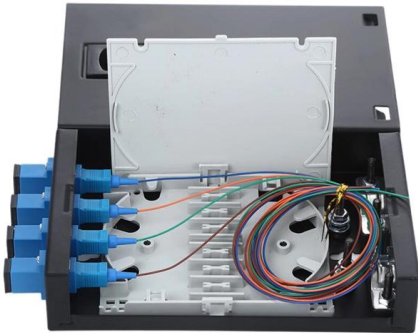
Adam Tas Corridor Energy

Process of Buying and Selling Optical Cables





Process of Buying and Selling Optical Cables



Fiber Optic Cable: Buyer's Guide

Optical fiber type and length
Cable jacket type
Connector style
Number of fibers/fiber count
After determining these key items, other procurement

How Fiber Optic Cables are Manufactured

Fiber optic cables have revolutionized the telecommunications industry, enabling high-speed data transmission over long distances. But have



We Buy Surplus Fiber Optics! - Surplus Fiber from Wire Direct

We Buy Surplus Fiber Optics! Please let us know what types of Fiber Cable you have to sell. Send us a list of the model numbers / reel lengths along with photos of the fiber cable reels. Also send any

Selling to Fiber Optic Cabling Businesses

Leading fiber optic cabling businesses understand the value of every dollar. Here's how



to sell to fiber optic cabling businesses in the new economy.

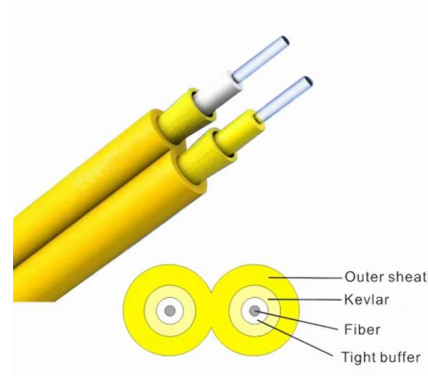


Answers to common questions about fiber optic systems

By transmitting data as pulses of light rather than electrical currents, fiber optic cables eliminate many of the limitations associated with copper cables,

Where Can I Sell Fiber Optic Cable

To get the best price for fiber-optic cables, you need to prepare well before selling. First, know the exact type and length of your cable. Buyers pay more when they



Buying And Selling An Optical Business: What You Need To Know

Buying And Selling An Optical Business: What You Need To Know If you're looking to invest in an optical business, or ready to hand over the keys and sell, buying or selling a business can be a





What is an Optical Audio Cable? Everything to Know Before Buying

HDMI cables are often considered an upgrade as they can transmit digital audio and video signals with a single cable. This makes them more versatile as you do not need multiple cables

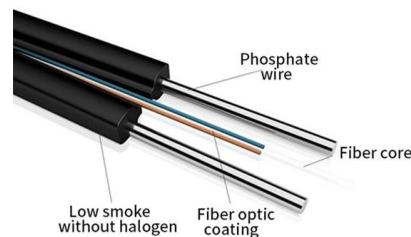


How optical communication cables work and how they

In several articles, I mentioned optical fibre in the context of substation automation, protection signaling, communication between electrical

Fiber Optics - Buying Guide & Supplier List , RP Photonics

This fiber optics buying guide provides technical background, comparison of major types, selection criteria, and an overview of suppliers.



Selling Your Old Networking Equipment and Cables the

At Diversified Telecom Services, we specialize in purchasing used telecom equipment, ensuring you get the best value while contributing to a



Optical Fiber Cable Production Industry. Fiber-Optic Cable

Fiber Optics, also called optical fibers, are microscopic strands of very pure glass with about the same diameter of a human hair. Thousands of these optical fibers are arranged in bundles in optical cables



Simplified Sourcing For Fiber-Optic Cable Connectivity

However, navigating the complex market of fiber-optic cable sourcing can be daunting. This article aims to simplify the process of sourcing fiber-optic



What to Look for When Buying an Optical Audio Cable

An optical audio cable, commonly known as a TOSLINK cable due to its origins as the TOSHIBA-cable, is a fiber-optic connection that is quickly





Optical Cable Manufacturing: A Deep Dive into the Process

Explore the optical cable manufacturing process. Learn about raw materials, fiber drawing, cabling, and quality control in modern optical cable

How To Sell A Fiber Optics Company , Business Brokers

How do you Sell a Fiber Optic Company? The Fiber Optic Industry is a dynamic sector expected to grow at over 14% per year. If you are considering selling a



Sell Your Wire and Cable Machinery

The industry's largest buyer of used wire, cable, fiber optic manufacturing equipment. Sell your We buy surplus and unused machinery for cash!

What to do with a mountain of 20-year old fiber optic cable?

Don't buy it until you have it already "sold" to someone else. Find out what other



Full Process of Optical Fiber Cables Making

Full Process of Optical Fiber Cables Making Have you ever wondered how optical fiber cables are made? In this video, we take you inside the factory to show the full process of optical fiber cable

where can i sell fiber optic cable

Fiber optic cable is a crucial component in the telecommunications and internet infrastructure. It is used to transmit large amounts of data at high speeds and is in high demand in various industries. Over



Tips for New Raw Material Suppliers in the Optical Cable Industry

If you're a raw material supplier looking to sell to the optical cable industry, keep reading. Here are 4 points to consider - and pitfalls to avoid - to win and retain this new business.



How To Sell The Correct Fiber Cable

At this point, you should have a good idea of exactly what the customer is dealing with, and should feel confident in your ability to provide the correct fiber optic cabling solution.

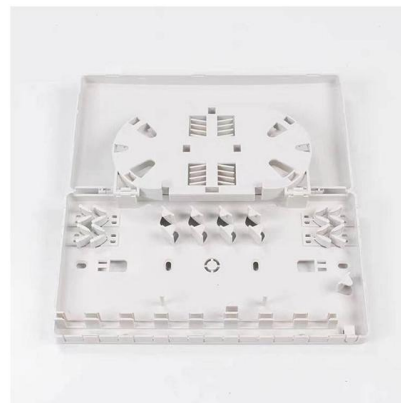


Steps in Fiber Optic Cable Manufacturing Process

Understanding Cable Manufacturing Standards
Adhering to cable manufacturing standards is of paramount importance in ensuring the reliability,

How does fiber optics work?

An easy-to-understand introduction to fiber optics (fibre optics), the different kinds of fiber optic cables, and how light travels down them.



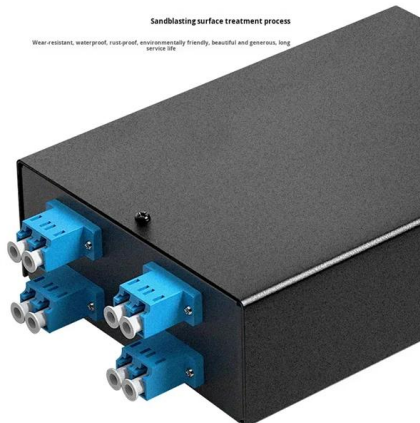
We Buy Your Surplus Fiber Optic Cables & Telecom Products

For buyers, we sell Fiber Optic Cables "by the foot" & "by the reel", which is a great benefit for companies who buy direct from the Manufacturers, who are forced to purchase minimums of 1300+



Fiber Optic Cable Buying Guide , Eaton

Fiber Optic Cable Buying Guide Choosing single-mode or multimode fiber for high-performance data networking and telecommunications Fast data transmission,

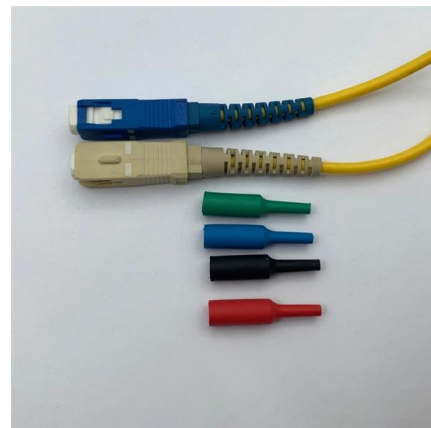


How to Sell Fiber Optic Cable

Start using Tradewheel to start selling Fiber Optic Cables to buyers across the world.

Buying used vs. new equipment: challenges in optical

When it comes to optical cable manufacture, I feel it is important to add that optical test equipment is sometimes as expensive as the process





Fiber Optic Cables 101: Everything You Need to Know

Have you ever wondered how the world's busiest stock exchanges, streaming services, and cloud platforms keep up with the relentless demand for speed? The

Contact Us

For datasheets, pricing, or custom telecom energy solutions, please visit:
<https://koskolong.co.za>