



Adam Tas Corridor Energy

Rainproof Industrial Distribution Box

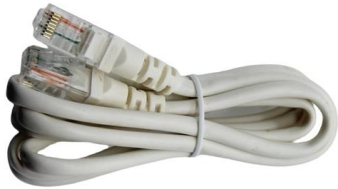




Rainproof Industrial Distribution Box

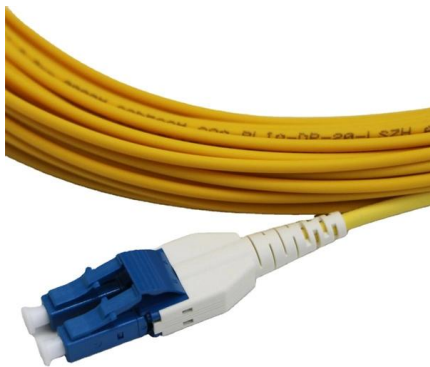
Rainproof Electrical Control Panel Box for Engineering Industrial Use

Rainproof Distribution Box Engineered for demanding environments, our robust power distribution box ensures exceptional reliability and safety. Featuring advanced IP67-rated waterproof and dustproof



Industrial Distribution Box , IP67 Power Enclosure

Industrial Distribution Box by EPCOM: IP67 power solutions with modular design and durable materials, ideal for any demanding industrial project.



Portable Socket Distribution Box IP67 Industrial Socket

Portable Socket Distribution Box IP67 Industrial Socket Box Plastic Waterproof Junction Box Product overview Compliant with European/international standard

Waterproof Distribution Box , IP65 Plastic DIN Rail

Each enclosure delivers dependable IP65-IP68 sealing for outdoor and industrial use, with



options for plastic waterproof distribution box housings and DIN rail



ZENHE WIFI IP65 ABS Plastic & Iron Rainproof Electrical Fiber

ZENHE WIFI IP65 ABS Plastic & Iron Rainproof Electrical Fiber Distribution Box for Industrial Outdoor Use with CCC Certification



Weatherproof Stainless Steel Distribution Box

The Stainless Steel Distribution Box is a rugged and versatile enclosure that is ideal for a wide variety of applications. It is constructed from high-quality stainless



Industrial Power Distribution Boxes Rainproof Power Distribution Unit

Durable and Weather-Resistant Design: The Yangao Rainproof Power Distribution Box is designed to withstand harsh weather conditions, ensuring reliable performance in various environments.





bnf® Junction Box Outdoor with Cover Rainproof Electric Meters Box

Buy it with This item: bnf® Junction Box Outdoor with Cover Rainproof Electric Meters Box for Homes Hotel,Business & Industrial , Electrical & Test Equipment , Electrical Supply Equipment ,1 Power



Rainproof roof - Plastic distribution box - Distribution boxes - Tracon

Plastic distribution box Plastic distribution box with mask frame Rainproof roof Consumption cabinet for submeter Accessories STOCK CLEARANCE Details CO sensor Details New products 2025 Details

Industrial IP65 Distribution Boxes for Power Outlets , Solera

IP65 boxes for distribution and power suppliers Indubox surface-mounted enclosures offer a durable solution for industrial settings with integrated socket openings. From 8 to 32 modules: Available in



IP66 Rainproof Industrial Socket Distribution

36Way IP66 Rainproof Corrosion Resistant Pagoda Distribution Box with Industrial Plugs and Sockets. Every power box has been engineered



Waterproof Distribution Box , IP65 & IP66 Rated

ZCEBOX manufactures IP65 & IP66 waterproof distribution boxes for outdoor and industrial applications. Built with durable materials, CE & ROHS certified. Contact us for custom solutions!



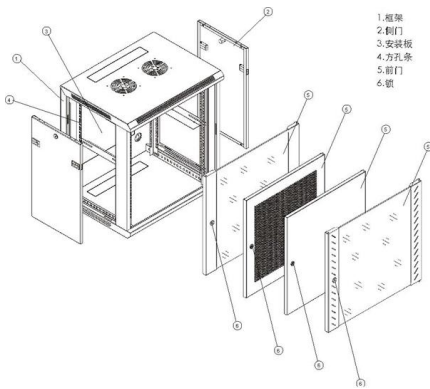
EKDB10 IP65 Waterproof Distribution Box , Industrial

EKDB10 Series IP65 waterproof distribution boxes offer premium protection for electrical systems in industrial, commercial, and photovoltaic applications.

Waterproof Box

Whether you need a waterproof distribution box, an aluminium waterproof box, a plastic waterproof box or a fibreglass box, saipwell can provide them all,





EKDB10 Distribution Box , IP65 Plastic Waterpro

Discover EKDB10 IP65 waterproof distribution boxes made of durable PC plastic. Available in 4-39 ways, single/double/triple layers, ideal for industrial, commercial,

IP66 Rainproof Industrial Socket Distribution Box Corrosion Resistant

36Way IP66 Rainproof Corrosion Resistant Pagoda Distribution Box with Industrial Plugs and Sockets. Every power box has been engineered



EKDB10 Durable IP65 Rated Waterproof Distribution Boxes

These boxes offer ample wiring space and boast an IP65 protection level, making them ideal for various indoor and outdoor applications. Available in 7 different specifications (4 to 39 positions), they are

Industrial IP65 Distribution Boxes , Solera

Solera's IP65 industrial distribution boxes provide robust and secure solutions for various applications. Available in configurations ranging from 3 to 48 elements.





12/24 ways black explosion-proof socket distribution box

Tax excluded, add at checkout if applicable
12/24 ways black explosion-proof socket distribution box industrial portable outdoor socket box rainproof overhaul box

Merlin Gerin Stainless Steel Rainproof Box BXG/400×500×250

Shop the Merlin Gerin Stainless Steel BXG/400×500×250 Rainproof Box for superior protection of electrical components. Durable, weather-resistant, and ideal for outdoor use, this box ensures safety

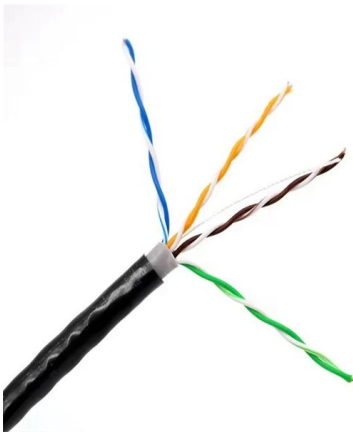
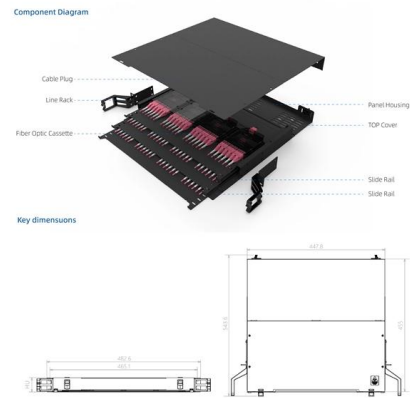


EKDB10 IP65 Waterproof Distribution Box , Industrial

Featuring IP65 ingress protection, IK09 impact resistance, and a durable ABS/PC construction, this series provides a dependable enclosure solution for residential,

IP65 Distribution Box

Description: SMICO's IP65 protection rating is one of the common protection rating standards for outdoor plastic distribution boxes. IP represents the international



12WAY Portable industrial explosion-proof mobile socket

Tax excluded, add at checkout if applicable
12WAY Portable industrial explosion-proof mobile socket box
Construction site distribution box
Plastic power box

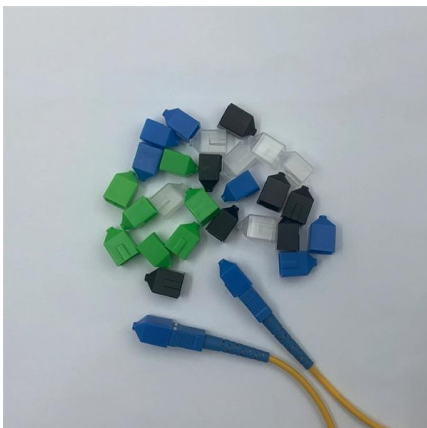
Metal Enclosures, Cabinets & Box Manufacturer

Industrial Automation Used in control cabinets, distribution boxes, and operation panels in industrial automation systems, protecting critical



Waterproof Distribution Box Manufacturer , IP65/IP66

These distribution boxes ensure reliable electrical distribution and protection in challenging conditions, safeguarding equipment and ensuring continuous





Contact Us

For datasheets, pricing, or custom telecom energy solutions, please visit:
<https://koskolong.co.za>