



Adam Tas Corridor Energy

Rainproof Ridge Cable Tray





Rainproof Ridge Cable Tray



GUIDE CABLE TRAYS TECHNICAL

NEMA VE 1-2017 Specifies requirements for metal cable trays and associated fittings designed for use in accordance with the rules of Canadian Electrical Code, Part I and the National Electrical Code®

CABLE TRAY INSTITUTE

The Cable Tray Institute (CTI) was founded in 1991 to support the cable tray industry by engaging in research, development, education, and the dissemination of



Rooftop Cable Tray Support System

PHP's cable tray support system is engineered to sustain various sizes of cable runs on your rooftop. PHP is the leader in cable tray support systems.

Cable Trays and Accesories

SFSP manufactures a wide range of products capable of providing the characteristics which respond to the proposed application, along with



quality of assembly, speed



Cable Tray and Reels , Wire and Cable Management

From heavy power cable pathways on oil drilling platforms to data center cabling, explore the cable tray that's strong yet easy to install. Fast installation with



Eurostrut Cable Trays , cable tray, cable route and

Cable trays for industrial and marine use. Includes distribution trays, cable routes and NATO-type models. Request a quote directly via our webshop.



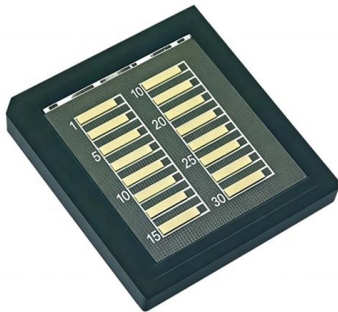
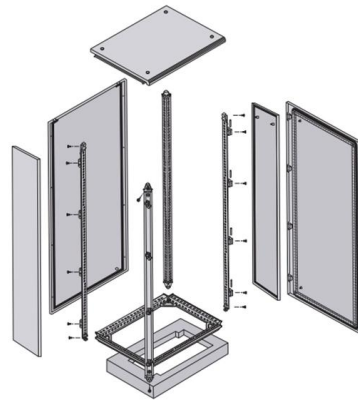
Outdoor Cable Management , Cable Entry, Grounding & Roof

Browse Tessco's leading inventory of outdoor cable management products. View cable accessories & grounding, bridge kits, and weatherproofing products today.



CSD Sealing Systems: Weatherstops

WSP units accept any cable size and quantity. Our units install before or after tray and cable. Cable maintenance and changes are simple and easy -- no additional



Why Ladder Type Cable Trays Are Perfect for Outdoor Projects?

Conclusion Ladder type cable trays are an excellent choice for outdoor projects, offering durability, enhanced ventilation, easy installation, and cost-effectiveness. Cables are well shielded

Cable Containment Systems , Trays, Baskets

Discover high-quality cable containment solutions at Direct Channel. Our range includes cable trays, basket trays, ladder racks, trunking, and galvanized



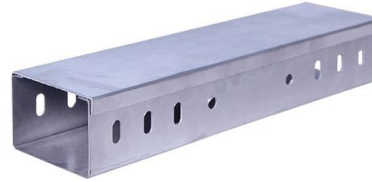
Ladder Cable Tray System , Durable & Efficient Cable

Ladder Cable Tray System The Ladder Cable Tray System from Hitech is designed for robust and efficient cable management in industrial, commercial, and



Cable Trays

Heavy duty cable trays and cable ladders are manufactured from pre-galvanized or hot-dipped galvanized sheet metal, designed to meet ideal environmental



Cable trays

Our cable trays are produced in fit for purpose materials like stainless steel, galvanized, aluminium and fibreglass (FRP/GRP) composites to suit any project

Types of Cable Trays - Advantages, Applications and Sizes

Explore the types of cable trays, their advantages, applications, and standard sizes. Learn how they improve cable management and support various industries.



FRP Cable Tray Catalog Features & Specs & Applications

FRP cable tray is the support system for managing cables and protect cables from heating, rains and corrosive elements. There are two types, FRP ladder type cable tray and FRP channel cable tray.



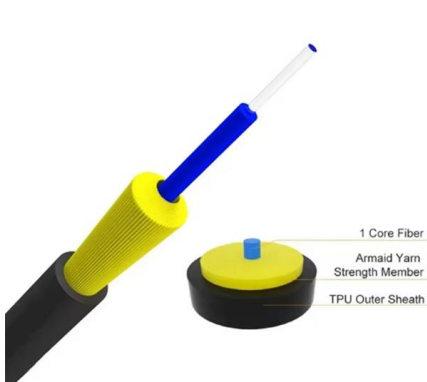
I-BEAM Rain Hood for Wall Penetration Sleeves

Our aluminum, I-beam ladder cable trays feature 3-inch tangents and are using connectable with our fittings and accessories. Aluminum ladder cable trays



Unex

Hier sollte eine Beschreibung angezeigt werden, diese Seite lässt dies jedoch nicht zu.



Cable Trough , Safe & Secure Cable Protection

High stability concrete or composite cable trough systems for secure protection of cables and utilities within internal or external surfaces.





Cable Trays, certified solutions for the support and

> Usable also in Hazardous Locations. > Wide range of fittings and accessories. Learn more about the technical aspects of the product. > Wire mesh

Effective weatherproofing for cable trays , Jones

Weatherproofing cable trays is critical, especially for data centres. It protects the building envelope from adverse weather conditions.



Cable Trays , Underfloor Raised Access Floor System Organization

Cable trays keep wires in place while allowing air flow in raised access floor systems. Our system installs in seconds without tools. Ideal for data centers.

Kable Kontrol® Outdoor Rated Cable Raceway

Outdoor rated cable raceway is designed to resist the elements while protecting & organizing your exterior cables from potential damage or untidiness shop now.



What are the requirements for outdoor cable tray?

To ensure a service life of more than 10 years for outdoor installation, the most cost-effective option is hot-dip galvanized rainproof bridge, made of high

Contact Us

For datasheets, pricing, or custom telecom energy solutions, please visit:
<https://koskolong.co.za>