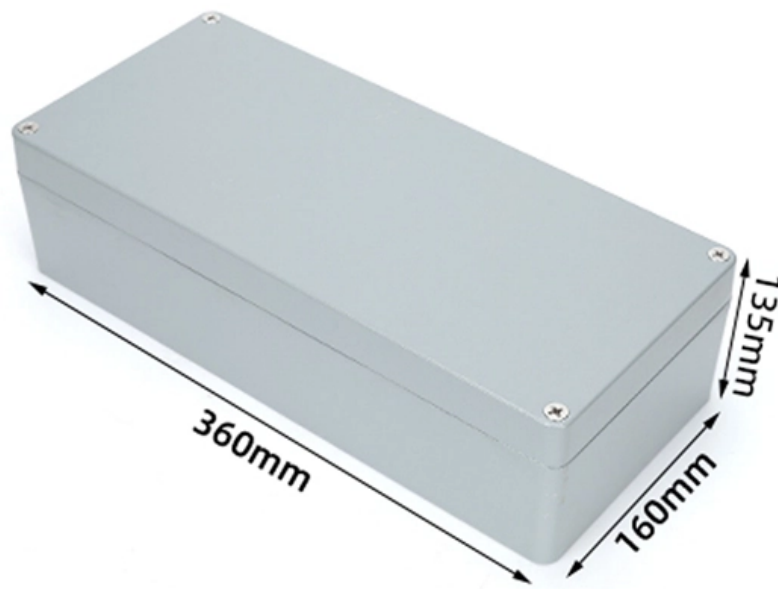




Adam Tas Corridor Energy

Ranking of Distribution Box Direct Suppliers





Overview

The top distribution box manufacturers in 2025 are SENTOP, Schneider Electric, Rockwell Automation, Hammond Manufacturing, Laiwo Electrical, J&HW Group, Siemens, ABB, Eaton, Legrand, and General Electric. This report provides a detailed analysis of the global distribution box market, including supplier landscape, key technical specifications, and essential quality certifications. In today's competitive market, reliability isn't just a preference; it's a necessity. Their 24/7 emergency service with technicians who actually answer the phone at 3 AM.



Ranking of Distribution Box Direct Suppliers



Distribution Box Suppliers from Vietnam

Find Economical Suppliers of Distribution Box: 209 Manufacturers in Vietnam based on Export data till Nov-25: Pricing, Qty, Buyers & Contacts.

MDM TOP DISTRIBUTORS LISTS 2024

Normalization and Tougher Comparables
Welcome to Modern Distribution Management's 2024 Top Distributors feature, now in its 15th year. Here, you'll find our rankings of North America's largest



Top 10 Distribution box supplier Companies and Products Compare

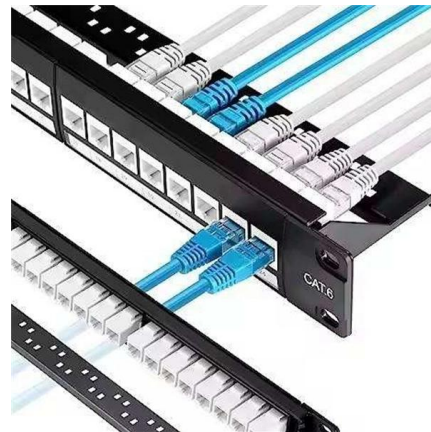
A distribution box supplier factory is a facility that manufactures and supplies distribution boxes, which are essential for electrical distribution systems. These boxes house electrical components and

Distribution Box Manufacturer, Best Power Distribution

Power Distribution Box Advantage Tested & Approved Distribution Box Supplier DOHO power



distribution box is tested and approved by international



17 AC Distribution Box Manufacturers in 2026

This section provides an overview for ac distribution boxes as well as their applications and principles. Also, please take a look at the list of 17 ac distribution box manufacturers and their company rankings.

Top Distribution Box Supplier for Global Projects

The following list features verified suppliers specializing in distribution boxes and electrical enclosures. They have been selected based on their product relevance, manufacturing capabilities, certifications,



Here's Where Distributors Rank on the 2025 Fortune 500

MDM's 2025 Top Distributors Release Alongside the Fortune 500 release, we've completed our research for MDM's 2025 Top Distributors Lists --





Top 10 distribution box Manufacturers in the World

When you think about distribution boxes, its good to know who make them. These boxes use in homes and factories to manage electric and systems. Knowing top makers help you pick right one.



Top Distribution Box Manufacturers Compared for 2025

Compare top distribution box manufacturer options for 2025 by quality, innovation, certifications, and support to choose the best fit for your project.

The Ultimate 2026 Guide to the Top 10 Power

Discover the top 10 power distribution box manufacturers of 2026. Our ultimate guide ranks the best PDB suppliers and helps you choose the right partner for your needs.



Understanding Distribution Boxes: A Comprehensive Guide

Distribution box What Is a Distribution Box Used For A distribution box is used to receive electrical power from a main supply and distribute it to



Top 10 Distribution Box Suppliers: Your Ultimate Guide to Reliable

Discover the top 10 distribution box suppliers and learn essential selection criteria including reliability assessment, customization options, pricing models, and post-sale support for



Top 10 Distribution box supplier Companies and Products Compare

What types of distribution boxes do suppliers offer? Suppliers typically offer a variety of distribution boxes, including indoor and outdoor models, metal and plastic options, and customized solutions.

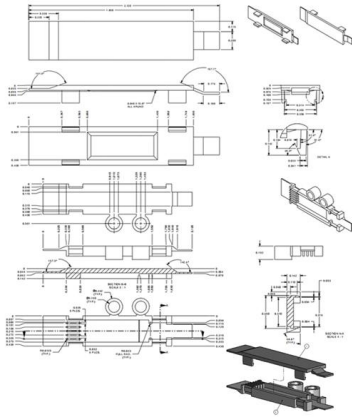
Global Distribution Box Market Heats Up: Top 10 Companies

Top 10 Companies Leading the Charge. The competitive landscape is a mix of established industrial giants and specialized electrical manufacturers. Here are the top 10 companies



Mobile Distribution Boxes , DISTRO- DIRECT

mobile distribution boxes Users in over 68 countries worldwide appreciate the ruggedness, dependability, design and lifespan of our power distribution boxes.



Distribution Box Price

The distribution box functions as the distributor and load center of electrical power. It is the central electrical supply system of any building or property and ensures that



Global Distribution Boxes Supply, Demand and Key Producers, 2023

This report studies the global Distribution Boxes production, demand, key manufacturers, and key regions.

Smart distribution box Brand Ranking

From more energy-efficient factories, more resilient supply chains, smarter buildings and power grids, to cleaner and more comfortable transportation and advanced medical systems, Siemens is committed





Photovoltaic Distribution Box

A Photovoltaic Distribution Box, also known as a PV distribution box or solar combiner box, is an essential component in a photovoltaic (PV) system that helps manage the electrical connections and

Top 10 distribution box manufacturers and suppliers you should know

The right distribution box does more than route electricity - it protects investments and lives. Whether upgrading an office building or securing a manufacturing plant, these top manufacturers combine



Comprehensive Distribution Box

The global market for Comprehensive Distribution Box was estimated to be worth US\$ million in 2025 and is projected to reach US\$ million, growing at a CAGR of %from 2026 to 2032.

MDM TOP DISTRIBUTORS LISTS 2025

2024: The Calm Before the Tariff Storm Welcome to Modern Distribution Management's 2025 Top Distributors feature, now in its 16th year. Here, you'll find our rankings of North America's largest



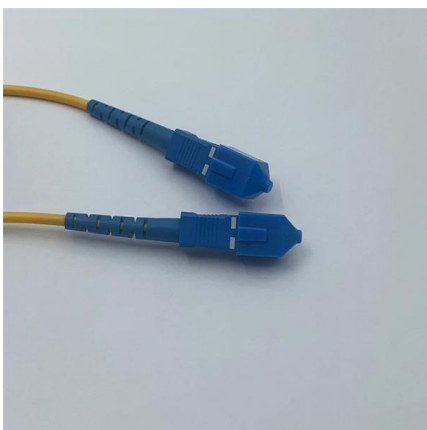
Comprehensive Distribution Box

The global market for Comprehensive Distribution Box was estimated to be worth US\$ million in 2024 and is forecast to a readjusted size of US\$ million by 2031 with a CAGR of %during the forecast



Top 6 Distribution Box Manufacturer with Innovative Features in 2025

Selecting the ideal supplier for distribution boxes involves evaluating several factors. Below is a comparison of leading brands based on their main attributes, advancements, approvals,



Top Distribution Companies

Find reliable distribution companies for warehousing, fulfillment and transport. Compare verified providers and hire the right partner for your supply chain.



Contact Us

For datasheets, pricing, or custom telecom energy solutions, please visit:
<https://koskolong.co.za>