



Adam Tas Corridor Energy

Requirements for the enclosure of electrical boxes assembled on construction sites





Overview

NEC Article 312 provides comprehensive requirements for the installation and construction of cabinets, cutout boxes, and meter socket enclosures. This article ensures these enclosures are used and installed correctly to maintain the safety and reliability of electrical systems. The requirements of boxes made of steel and cast iron for enclosures of electrical accessories were covered in IS 5 133 (Part 1) : 1969.



Requirements for the enclosure of electrical boxes assembled on co

Electrical practices -- construction and demolition sites



The standard sets out minimum requirements for the design, construction and testing of electrical installations that supply electricity to appliances and equipment on

Requirements for Electrical Installations , UpCodes

Explore a searchable database of US construction and building code. Code regulations are consolidated by state and city for easier navigation.



Requirements for electric meter boxes on construction sites

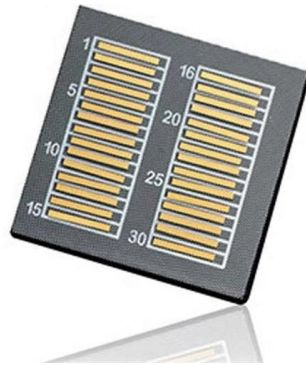
Safety performance: The electric meter box should be made of safety materials that comply with national standards, have good insulation and fire resistance, and ensure safe use in complex and changing

Electrical Installations On Construction Sites

This industry standard provides practical guidance to employers, designers,



manufacturers, importers, suppliers (including hirers), electrical



Mounting electrical components in enclosures **LEGACY**

Your underpinning knowledge will provide a good understanding of your work and will provide an informed approach to applying assembly techniques and procedures to the mounting of electrical



Electrical Enclosure Manufacturing Process - The Step

An effective and properly designed electrical enclosure starts with the manufacturing operation. Every step is vital, from the design, selection of material



The Electrical Enclosures Comprehensive Guide: Types

Electrical enclosures, often referred to as Electrical Cabinets or Electronics Enclosures, are critical for protecting sensitive electrical components





What is Electrical Enclosure? Benefits, Types and

This is vital in environments where there is a risk of tampering or theft. In addition, enclosures can also help to reduce noise pollution and



Electrical Junction Box NEC Code: Rules, Requirements

The most important requirements are simple: enclose wire splices, use a properly sized box, keep the box accessible, install a secure cover, ground

Types of Electrical Enclosures and How to Choose Right

Learn about different Types of Electrical Enclosures and How to Choose Right One for safety, durability, and performance in any industrial environment. From small



Ensuring Safety In Electrical Enclosures , UK Kiosks

Discover the essential safety guidelines and compliance standards for electrical enclosures in the UK. From IP ratings to secure locking mechanisms,



Practical Guide to Electrical Enclosures for Industrial Applications

Selecting electrical enclosure features based on the required size and environmental conditions is the starting point of the design. The design phase includes panel layout, enclosure layout, and thermal

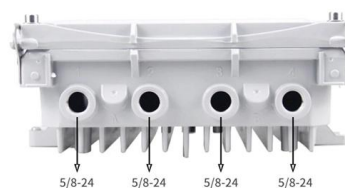


NEMA Enclosure Types

NEMA Enclosure Types The purpose of this document is to provide general information on the definitions of NEMA Enclosure Types to architects, engineers, installers, inspectors and other

What Is an Electrical Enclosure? Complete Guide

An electrical enclosure is a protective housing that shields electrical components from dust, water, and damage while preventing user contact with live



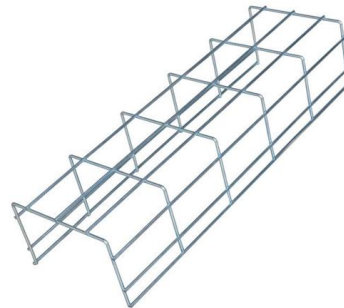


1926.403

Enclosure for electrical installations. Electrical installations in a vault, room, closet or in an area surrounded by a wall, screen, or fence, access to which is controlled by lock and key or other

What is an Electrical Enclosure - 101 A Complete Guide

A Complete Guide to Choosing the Right Electrical Enclosure Selecting the right electrical enclosure can be a complex task due to the wide variety of types,



International-electrical-standards-regulations

BS 7671, "Requirements for Electrical Installations" is published by the Institution of Engineering and Technology and BSI, it governs all domestic electrical installations (and many other types).

Annexure C

Electrical cubicles and junction boxes must be designed and constructed such that they can be operated and maintained live by personnel without the need for arc-rated PPE. If this cannot be achieved, then

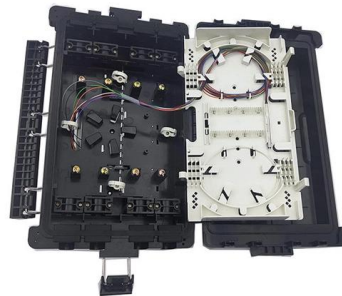


Guardians of Safety: A Comprehensive Guide to

How Materials and Construction Impact Safety Features The materials and construction of an electrical box are pivotal in determining its safety features and

ENCLOSURES

Electrical Enclosures Overview An electrical enclosure is a purpose-built cabinet designed to house electrical and electronic devices, providing the required protection to keep operators/personnel safe



1926.405

Electrical continuity of metal raceways and enclosures. Metal raceways, cable armor, and other metal enclosures for conductors shall be metallically joined together into a continuous electric conductor



26 05 33

26 05 33 - Raceway and Boxes for Electrical Systems Introduction Section includes conduit, surface raceway, wireways, outlet boxes, pull boxes, junction boxes and handholes.



How To Build An Electrical Enclosure: The Complete Guide

Building your electrical enclosure should not be hard as long as you understand the finer details you require. These aspects range from the type of

Electrical Enclosures: Types, Ratings, Materials

Electrical enclosures are used across industrial plants, commercial buildings, utilities, telecom systems, renewable energy sites, and infrastructure





Electrical Junction Box Code Requirements: NEC Rules

Learn what the NEC requires for junction boxes, from box fill calculations and grounding to outdoor use and fire-rated wall installations.

Types of Electric Boxes: What's the Right Count for Safe Installations?

Master safe electrical installations! this guide unveils the secrets of different electrical box types, ensuring your home's wiring is secure & code-compliant. read now for expert insights you won't find



IS 14772 (2000): General Requirements for Enclosures for

IS 14772 (2000): General Requirements for Enclosures for Accessories for Household and Similar Fixed Electrical Installations (Superseding IS 5133 (part 1 and 2) [ETD 14: Electrical Wiring Accessories]

A Complete Guide to NEC Article 314 on Electrical Boxes and Conduit

NEC Article 314 establishes requirements for the installation and use of electrical boxes, conduit bodies, fittings, and handhole enclosures.



NEC Article 312: Cabinets, Cutout Boxes, and Meter Socket

Specifies the requirements for installing cabinets, cutout boxes, and meter socket enclosures, ensuring they are securely and properly mounted to prevent physical damage and ensure accessibility.



Electrical practices -- construction and demolition sites

All construction wiring (both on construction and demolition sites), switchboards and transportable structures must be inspected and tested in accordance with



Enclosures

Enclosures An electrical enclosure is a cabinet or box that protects electrical or electronic equipment and prevents electrical shock. Enclosures are usually made



Contact Us

For datasheets, pricing, or custom telecom energy solutions, please visit:
<https://koskolong.co.za>