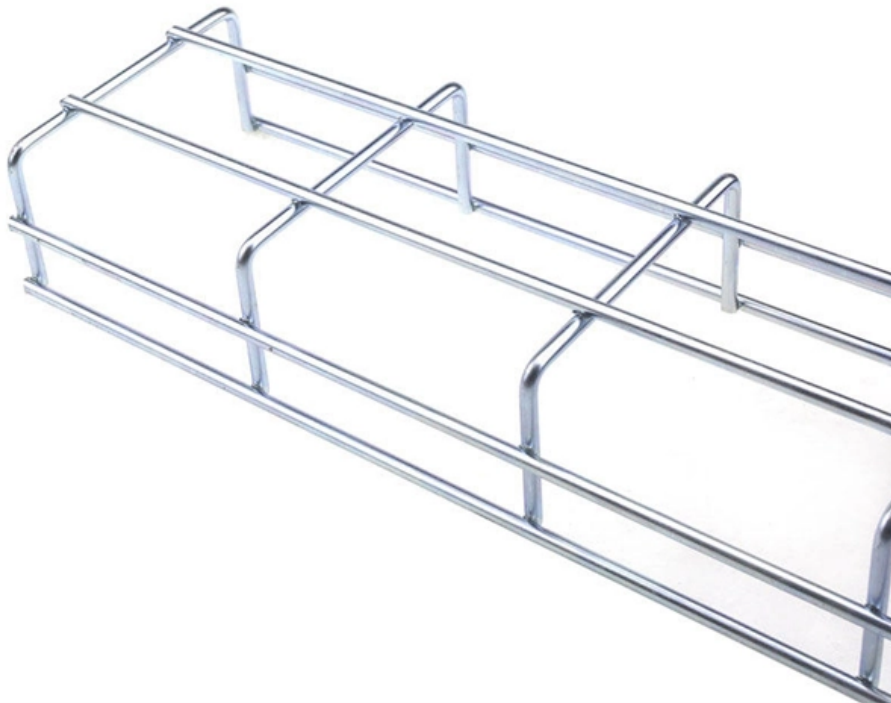




Adam Tas Corridor Energy

Romanian Communication Temperature Control Cabinet Installation Solution 1200mm Depth





Romanian Communication Temperature Control Cabinet Installation



NavePoint 42U Server Rack Cabinet, 1200mm depth,

The 42U NavePoint Commercial Series network server cabinets have capacity and quality --everything it takes to get the job done right for your high-density

Design of a thermoelectric cooler to control the temperature of telecom

This paper discusses the design of a thermoelectric cooler (TEC) system for controlling the temperature of telecom outdoor cabins. Traditional cooling methods, such as refrigerants, have

Ordering information

NO.	1	2	3	4
Model	F1601	F1602	F151003	F151004
Product name	Rack-Pannel	Rack-Pannel	Rack-Pannel	Rack-Pannel
Illustration				
HU	1	2	3	4
Maximum number of cards	36	180	288	364
Product size (including module and adaptor)	482.0*208.7*42.3mm	482.0*208.7*84.6mm	482.0*208.7*126.9mm	482.0*208.7*172.2mm
Standard color code	RAL9005	RAL9005	RAL9005	RAL9005

SPECIFICATION 271100 COMMUNICATIONS CABINETS AND

Backbone cabling (copper and fiber) from the applicable communication room(s) is installed, tested, labeled, and approved by the inspector and communications design consultant.



Control cabinet air conditioning

With the right control cabinet air conditioning, the service life of systems can be increased or maintained. Lm-therm offers the perfect solution.



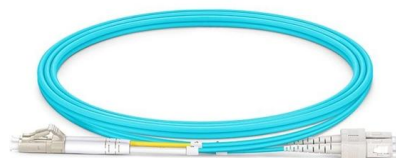
42U Server Rack Cabinet, 1200mm depth, Perf. Front

Our 42U server rack cabinet has a perforated front and French rear doors to facilitate airflow. Quick-release, lockable side panels allow for easy access, while



Data center Aisle Containment Solution , 42U Server

Aisle Containment is an intelligent thermal containment solution designed to increase cooling system efficiency while protecting critical IT equipment and personnel



12U Wall Mount Server Rack Cabinet

The 12U Wall Mount Server Rack Cabinet is an excellent solution for organizing and protecting network equipment, IT servers, network switches, and other AV devices.





TS IT Rack Guide Specifications

4.1 Multi-piece roof plate for side cable entry via brush strips across the entire enclosure depth. Roof plate for retrofitting, removable despite already made cable routing.



800mm Wide x 1200mm Deep Server Cabinets/Racks

Explore the range of 800mm Wide x 1200mm Deep Server Cabinets/Racks available at Comms Express, Networking Reseller - Free Delivery Available To Buy Online

SlimKool Series Narrow Width Air Conditioners , Kooltronic

The SlimKool Series indoor/outdoor cabinet air conditioners are designed for shallow electrical panels and narrow enclosure cooling requirements. Learn more.



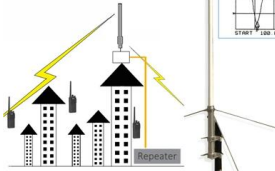
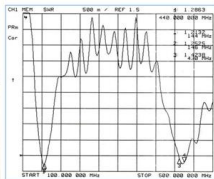
Communication cabinet for microgrids 1200mm deep

With a 1200mm deep 19" standard frame, this server rack cabinet provides flexible space for large-scale server deployments, compatible with popular rack server, network cabinet, and data



Frequency: 144 MHz / 430 MHz
Band width: 3 MHz / 10 MHz
Gain: 6.0 dBi / 8.0dBi
Length: 250cm

Dual Band: 2m / 70cm



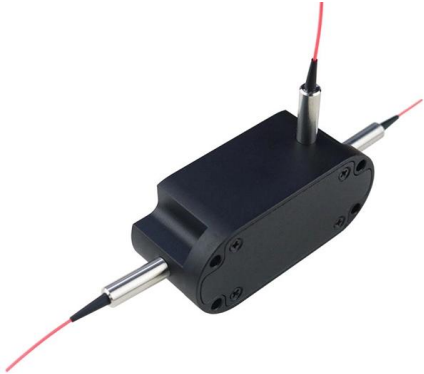
Temperature management in electrical enclosures and

Effective temperature management in control cabinets - cooling methods, condensation prevention, IEC 61439 standards, and intelligent climate



Applications and Analysis of Different Cooling Methods

Explore cooling methods for telecom cabinets, including natural, fan, TEC, and heat exchangers, to enhance performance, energy efficiency, and



CABINET BROCHURE CPI ENCLOSURES

CPI's environmental monitoring solution, the Remote Infrastructure Management (RIM-600) System, automatically monitors and records temperature, humidity and other critical environmental conditions





Google Translate

Google's service, offered free of charge, instantly translates words, phrases, and web pages between English and over 100 other languages.

BETE Telecom Cabinet , Telecom Cabinets Solution

BETE Telecom Cabinet is the best telecom cabinet's solution provider that provides customers with flexible and customized service solutions accordingly.



5 Temperature Control Solutions for an Electrical Enclosure

Operating electrical equipment just 10°C above the maximum allowable temperature halves device lifespan; learn how temperature control solutions help.

Cabinet Cooling System Technologies to Consider when

Closed Loop Cabinet Cooling Technologies Ensure Reliable Operation These innovative approaches to cabinet cooling systems provide solutions that are

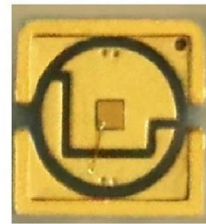


EB-ThermalEdge-ThermalManagement-Revised-02.10.16

There are several commonly available temperature control solutions to choose from, depending upon the enclosure heat load, environmental conditions, and the ambient temperatures.

Communication Room Design , Designing Space for

Communication Room Design Sizes Generally the communications room should be built to provide enough space and cabinets for the largest



Microsoft Word

FEATURES: compliant with ANSI/EIA RS-310-D, IEC297-2, DIN41491.Part1, part7, DIN 4144 standards



Temperature Control for Electrical Enclosures · Delvalle

Temperature Control Delvalle thermal management, provide effective and energy efficient cooling and heating to meet the unique needs of your application. Our



Lenovo 42U 1200mm Deep Racks Product Guide

Lenovo 42U 1200 mm Deep Rack offerings are industry-standard 19-inch server cabinets that are designed for high availability server environments.

Telecom and Network Equipment Cabinets and Racks

Our cabinets can be fitted with or without climate control and are engineered for efficiency, offering precise temperature regulation to prevent overheating. Whether deployed indoors or in rugged



Contact Us

For datasheets, pricing, or custom telecom energy solutions, please visit:
<https://koskolong.co.za>