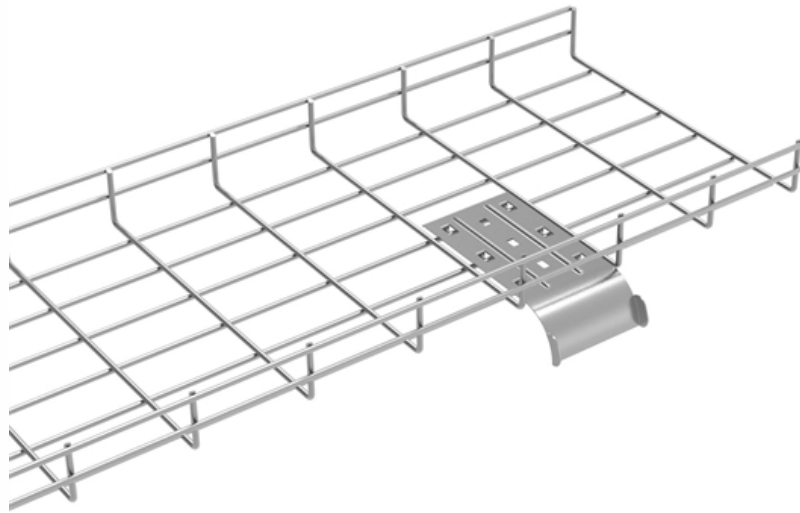




Adam Tas Corridor Energy

Rwandan power distribution boxes direct sales





Overview

RDB provides an efficient business registration service and potential tax incentives to investors in specific sectors.



Rwandan power distribution boxes direct sales



Rwanda Electricity Distribution Master Plan

The updated Rwanda Electricity Distribution Master Plan (DMP) has been established in consultation with all the relevant stakeholders to obtain a shared outcome and to ensure it is aligned and

Power Distribution Equipment in Rwanda

You can contact us by email at sales@machineequipments for reliable Power Distribution Equipment supplier, we are well-known for our world-class Power Distribution Equipment and one



Rwanda distribution boxes tenders

Get access to latest Rwanda distribution boxes tenders and government contracts. Find business opportunities for Rwanda distribution box tenders.

Power Generation Equipment Manufacturers Rwanda, Power

You can contact us by email at sales@machineequipments for reliable Power



Generation Equipment supplier, we are well-known for our world-class Power Generation Equipment and one



Power Utilities Supplier for Rwanda , PHOE Electric , PHOE

Exporting to Rwanda Power Utilities Supply for Rwanda Authorized supplier of Schneider Electric, ABB, and Siemens medium voltage switchgear solutions. Delivered from Dubai directly to Kigali Logistics

VALUETEC Power - VALUETEC Engineering Solutions

VALUETEC Power is subsidiary company for Valuetec Engineering solutions co. ltd, covering Local market with the best power system solutions known by our



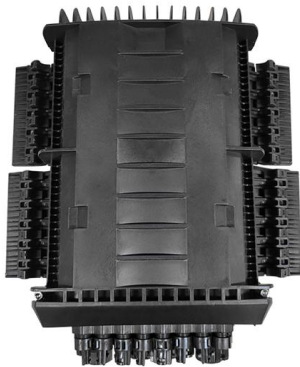
RURA

Hier sollte eine Beschreibung angezeigt werden, diese Seite lässt dies jedoch nicht zu.



Rwanda Grid Code Overview and Objectives , PDF

This document provides an overview and context for the Rwanda Grid Code. It outlines the key policy objectives for Rwanda's electricity industry, which include



Rwanda Power Distribution Unit Market (2024-2030)

Rwanda Power Distribution Unit Industry Life Cycle Historical Data and Forecast of Rwanda Power Distribution Unit Market Revenues & Volume By Type for the Period 2020-2030

Rwanda Power Transmission and Distribution Market (2025-2031)

Historical Data and Forecast of Rwanda Power Transmission and Distribution Market Revenues & Volume By Transmission & Distribution Networks for the Period 2021 - 2029



Power Distribution Panel In Rwanda

If you are looking for premium quality Power Distribution Panel In Rwanda that gives you excellent performance, then you are on the right page. Brilltech Engineers Pvt. Ltd. is one of the eminent



Solid Rubber Distribution Box , DISTRO-DIRECT

Buy online: compact solid-rubber power distribution units offering high mechanical durability, operational safety, and quick access to internal protection via a flip cover.



Rwanda Electric Power Transmission and Distribution Equipment

6Wresearch actively monitors the Rwanda Electric Power Transmission and Distribution Equipment Market and publishes its comprehensive annual report, highlighting emerging trends, growth drivers,

Rwanda Electricity Distribution Master Plan

Towards realizing the mission, vision, and destination statement of REG as outlined in the Energy Sector Strategic Plan (2017-2024) and the draft of REG strategic plan (2024-2034), there is a need to





Award -- Rwanda

Rwanda - Energy Access and Quality Improvement Project: Supply of LV Distribution Boxes

NORDIC DISTRIBUTION

Nordic Distribution Distributor of ICT, Security & Power Backup Products About company EVI Networks Structured Cabling & Cabinets Read More Previous Next

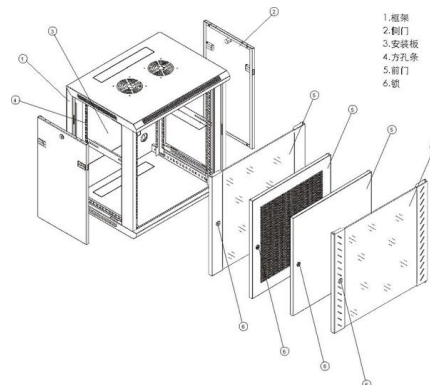


rwanda YBF Series Wind Power Box-type Substation

The YBF series wind power box-type substation products are specially designed and developed by our company for wind power generation. The role of the box transformer for wind power is to step up the

Rwanda Commercial Vehicle Electric Power Distribution Box Market

Our analysts track relevant industries related to the Rwanda Commercial Vehicle Electric Power Distribution Box Market, allowing our clients with actionable intelligence and reliable forecasts





Exporter of Power Distribution Panels in Rwanda "Sempra Electric

Exporter of Power Distribution Panels in Rwanda. Low Voltage Panels are electrical distribution boards used to control and distribute power at lower voltage levels within various industrial

Electric Power Generation, Transmission and Distribution Companies

Find detailed information on Electric Power Generation, Transmission and Distribution companies in Kigali, City Of Kigali, Rwanda, including financial statements, sales and marketing contacts, top



Distribution

Distribution As of today, a total of 28,985.8 kilometers of distribution lines have been constructed across the country, in a bid to extend electricity producers to the end

Electricity

IPPs sell bulk electricity to EUCL which has the monopoly over transmission, distribution and sale of electricity to customers connected to the national grid and international electricity trade. Besides the



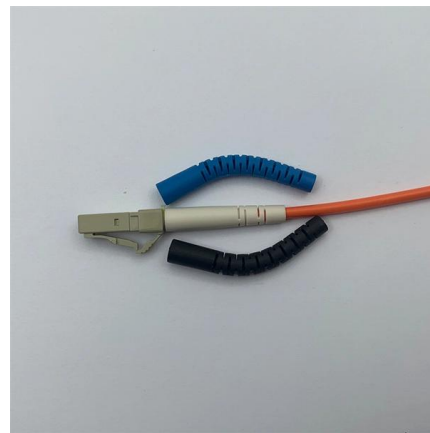


Rwanda Electricity Distribution Master Plan

Towards realizing the mission, vision, and destination statement of REG as outlined in the Energy Sector Strategic Plan (2017-2024), there is a need to expand and reinforce the distribution system to

Electricity

This law subjects to license issued by RURA any activity of electricity production, transmission, distribution and trade of electric power within and outside the national territory of Rwanda.



Contact Us

For datasheets, pricing, or custom telecom energy solutions, please visit:
<https://koskolong.co.za>