



**Adam Tas Corridor Energy**

# **SFP28 Optical Module Principle**





## Overview

---

SFP28 targets 25G, and it does not behave like a faster SFP+; it uses different lane rates and host-side signal conditioning. In 2006, SFP+ specification brought speeds up to 10 Gbit/s and the later SFP28 iteration, introduced in 2014, is designed for speeds of 25 Gbit/s. A slightly larger sibling is the four-lane Quad Small Form-factor Pluggable (QSFP). Enter the SFP28 transceiver, the crucial bridge technology delivering cost-effective, high-density 25 Gigabit per second (25G) connectivity. But what is SFP28 exactly, and why has it become a cornerstone of modern network upgrades?

This guide dives deep into SFP28 technology, its various types. Following are the main categories of 25G SFP28 transceivers: 25G SFP28 standard transceiver, 25G BiDi SFP28 transceiver, and 25G WDM SFP28 transceiver. It is mainly used with OM4 multimode fiber to transfer data over a short distance (up to 100m). In the era of 5G, AI, and high-speed data centers, optical modules serve as the core bridge for converting electrical signals to optical signals (and vice versa), enabling fast, reliable data transmission across networks. This fiber optic module guide helps network engineers and field techs compare SFP, SFP+, SFP28, and newer pluggables by distance, connector, and compatibility.



## SFP28 Optical Module Principle

---



### SFP28 optical transceiver modules

SFP28 ports are 25G speed ports and similar in size to a 10G SFP+ or 1G SFP port. They have supporting circuitry to enable 25G speed transceiver, DAC, and AOC components.

### Demystifying SFP28: The Essential Guide to 25G

Choosing the right SFP28 module type depends entirely on the required transmission distance and the fiber optic cable available (multimode or



### What Is an SFP Module? -- Complete Guide to SFP, SFP+ & SFP28

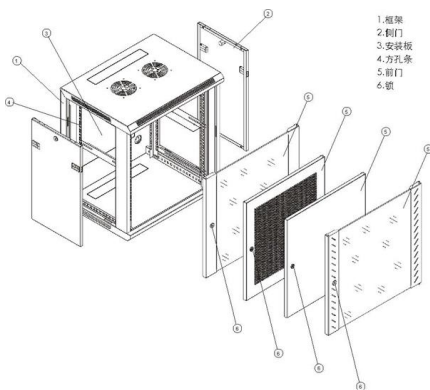
? What Is an SFP Module? An SFP module (Small Form-factor Pluggable) is a removable, standardized transceiver that plugs into an SFP cage or slot on networking devices such as

### Custom 25GBASE-LR SFP28 MODULE , 5G Fronthaul

?????????? ?????????? Deploying 5G base stations or bridging localized core routers requires optics



that can survive brutal outdoor temperatures while pushing massive 25Gbps bandwidth.  
Generic



### A Deep Dive into the Working Principle of the 25G G.Metro 10km

First, let's take a brief look at 25G G.Metro 10km SFP28 Tunable Optical Module The primary function of this module is to enable high-speed data transmission, making it particularly well-suited for data

### Optical Module Working Principle , SFP Transceiver Technical Guide

Understanding the working principle of optical modules--especially SFP transceivers--is critical for network engineers, data center operators, and telecom professionals tasked with building and



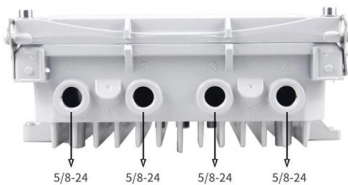
### Fiber Optic Module Guide: SFP vs SFP+ vs SFP28 Explained

If your 10G or 25G links are flapping, negotiating at the wrong speed, or refusing to light up after a swap, the cause is often the optics, not the switch. This fiber optic module guide helps



## Custom 25GBASE-SR SFP28 MODULE , Tailored Multimode

Pregled na produkta As enterprise data centers outgrow 10G capacities, upgrading to 25G requires optical transceivers that match exact infrastructural tolerances. Standard off-the-shelf short-reach



## Optical Transceivers SFP SFP28 QSFP28 QSFP-DD 1G to 400G Range

Browse optical transceivers from Pivotal Optics including SFP, SFP28, QSFP28 & QSFP-DD modules. 1G to 400G solutions for data centers & networks. Shop now!

## 25G Multi-Mode Optical Module

SFP28 transceiver that supports 25G connections up to 100 m using multi-mode fiber with a duplex LC UPC connector.



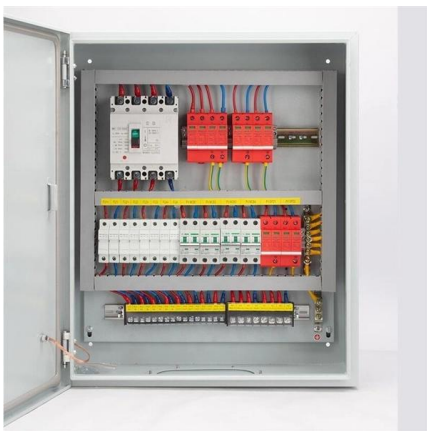
## SFP+, SFP28, QSFP+, QSFP28, QSFP56, QSFP-DD,

Initial Published: February 19, 2022 The optical transceiver plays a crucial role in modern fiber networking. Various high-speed transceiver types are



## 25G SFP28 Transceiver Module Types and Applications

BiDi SFP28 transceivers realize bidirectional transmission of optical signals on one optical fiber, thus saving fiber resources and leading the next generation of 5G communication technology.



## XVR-10083-20 Arista 25GbE 100m MMF SFP28 Optical Transceiver

The Arista XVR-10083-20 is a high-speed 25GBASE-SR SFP28 transceiver module engineered for reliable and efficient short-range fiber networking. Designed to support modern enterprise and data

## 5G Fronthaul 25G SFP28 Optical Module Selection Guide , Langzhi

Comprehensive 5G fronthaul 25G optical module selection guide. Compare SFP28 SR/LR/ER/BiDi/CWDM types covering distance, wavelength, power consumption, DDM diagnostics,



## Unveiling the Core Technologies of Optical Modules: DML vs

Push open the door to the data center, and amidst the humming server racks, countless thin optical fibers are carrying massive amounts of data. At the source of these fibers, a component



### **100G QSFP28 Single Fiber (BiDi) Modules: Technology, Benefits**

How Single Fiber QSFP28 Modules Work Single fiber QSFP28 modules (commonly called BiDi transceivers) enable full-duplex 100G communication over a single optical strand. They



### **25G SFP28 Optical Transceiver Modules , FiberMall**

FiberMall offers 25G Optical Transceiver Modules, which is compliant with the Multi-Source Agreement using Small Form-Factor Pluggable (SFP28) footprint.

### **Complete Guide to QSFP-DD, QSFP28, QSFP56,**

Complete Guide to QSFP-DD, QSFP28, QSFP56, SFP56, and SFP28 Optical Modules As high-speed networks continue to evolve, optical transceivers like





### Product Catalog



## Optical Modules: Powering High-Speed Fiber Networks

Introduction to Optical Modules Optical modules (also known as fiber optic transceivers) are essential components in modern communication networks, enabling high-speed data

## An In-depth Guide to 25G SFP28 Optical Transceiver

In the case of a 25G optical transceiver, each lane supports 25 Gbps, enhancing aggregate bandwidth without increasing port density or rack space. The SFP28



## Top Optical Modules for POTN Deployment: SFP, QSFP, and OSFP

Modern optical transport networks are the nervous system of digital infrastructure. As data demand continues to multiply, choosing the right optical module becomes a crucial decision in

## What is SFP28: A Comprehensive Guide

SFP28, standing for Small Form-factor Pluggable 28 Gigabit, is a hot-swappable module used for data transmission at high speeds (25 Gigabit Ethernet or 28 Gigabit Fibre Channel) over fiber optic cables.



## What Is an SFP Module? -- Complete Guide to SFP, SFP+ & SFP28

SFP28 modules are widely used for 25G server uplinks, while higher-speed optics are aggregated at the spine. This model simplifies cabling, improves scalability, and aligns with modern NIC capabilities.

## Optical Transceivers / SFP Modules - High-Performance Compatible

Comprehensive Optical Transceivers & SFP Module for High-Speed Networks LINK-PP offers a full range of optical transceivers and SFP module for modern data centers, telecom networks, and



## Contact Us

---

For datasheets, pricing, or custom telecom energy solutions, please visit:  
<https://koskolong.co.za>