



Adam Tas Corridor Energy

Selection Guide for 800G Carrier-Grade Routers for Wind Power Generation





Selection Guide for 800G Carrier-Grade Routers for Wind Power Gen

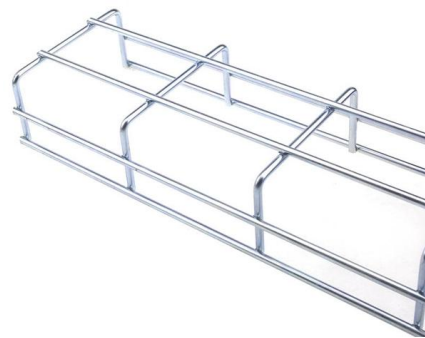


How to Choose the Right 800G Transceiver for Data Center?

Discover how 800G transceivers revolutionize networks with high-speed data rates. Learn key selection factors like transmission distance, connector, power consumption, and form factor.

S9620-32E 800G Open Aggregation Router

The S9620-32E rises to this challenge by providing a compact, power-optimized solution that supports 800G ports with flexible breakout options, enabling seamless scalability and efficient bandwidth



Nokia 800GE Routing

By deploying Nokia 800 Gigabit Ethernet (GE) routing, operators can triple IP network capacity in the same space and energy footprint. Built with faster optics and more efficient silicon, 800GE routing

The Technical Solutions of FS 800G Transceivers

The selected alternative leverages a system based on parallel transmission over single-mode



fibers, specifically designed for PSM8



Coherent Optics at 400G, 800G, and Beyond

Finally, Heavy Reading wanted to understand the role of DWDM vendor incumbency in CSPs' selection process for 800G coherent optics. The data shows that existing relationships and incumbency are

The Network Operator's Guide to the Latest

As the demand for higher network speeds and increased bandwidth continues to grow, carriers, cloud providers, and other network operators are



800GE Routing: Features and Benefits , RF Wireless World

Explore 800GE routing: its key features, technological advancements, and advantages over previous generations for improved network capacity and efficiency.



The Rise of 800G Ethernet: FS 800G AI Switches for

800G Ethernet is a next-generation networking standard delivering data rates of 800 Gigabits per second (Gbps). Doubling the throughput of 400G



Routing at 400GE, 800 GE and beyond

How do we build for scale ? Key technology evolutions on the router enabling 400G - 800G - beyond air flow air flow



800G Optical Modules Explained: Standards, Types

Discover everything about 800G optical modules--standards, packaging, types & applications. Learn how they power AI, HPC & next-gen data



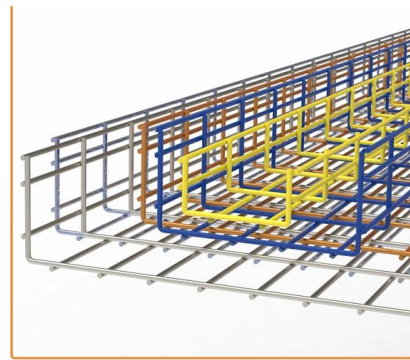
How 800G Ethernet and Industry Standards are Key for

Package escape, signal integrity and power integrity analysis provide the groundwork for the basic floorplanning of the 800G Ethernet tile. Hardening



Networks

Networks - A Simple Guide to SFPs, DAC Cables, RJ45, CWDM, DWDM and Network Speeds (1G to 800G) When you hear terms like SFP, DAC, CWDM, or 100G, it can feel confusing at



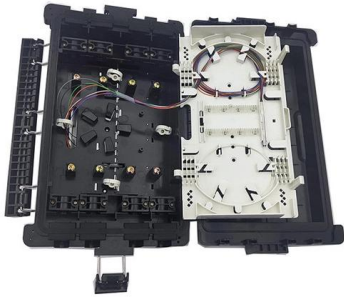
800G Data Center Interconnect Guide: DAC, AEC, AOC

Engineer's guide to 800G cables: DAC, ACC, AEC, AOC, DR8 transceivers. Distance zones, power budgets, TCO, NVIDIA platforms, 1.6T

Cisco OSFP 800G Transceiver Modules Data Sheet

The OSFP 800G transceiver modules are Cisco's new generation of pluggable transceiver modules based on the OSFP specification. They offer





Selection Guide for Routers in Large-Scale Industrial Projects

Router selection for large-scale industrial projects is a "cornerstone project" for digital transformation. With its military-grade protection, intelligent backup, and cloud management capabilities, the USR

Need 800G routing? Meet Ciena's 8192 coherent router!

800G routers: Check! It's not just about 800G interfaces--whether Ethernet or coherent. Next-generation routing silicon technology--with the latest



Cisco 8000 Series Secure Routers

Cisco 8000 Series Secure Routers are built to shrink risk, strengthen future readiness, and boost reliability across modern enterprise networks.

HPE Networking routers: High-performance,

Modular 13U router offering up to 230.4 Tbps throughput with support for 400G and 800G interfaces. Features inline MACsec encryption, SRv6, and advanced



ATN 980 Series

The ATN series routers are in wide-scale commercial use in global mobile transport scenarios, serving more than 130 top carriers worldwide. The routers have helped

800G Specification

This 800G standard will use a MAC scaled up to 800 Gb/s along with two 400Gb/s PCSs (with a few modifications) in order to drive 8x100G lanes. There will be a total of 32 PCS lanes (2x16 from the



FS 800G Transceivers and Cables Complete Guide

This guide details FS 800G transceiver features and solutions. FS tested 800G optics deliver reliable performance with flexible deployment for seamless data center upgrades.





800G OpenZR+

The OIF-800ZR Implementation Agreement and the Open ROADM version 7.0 specifications provide comprehensive guidelines for 800G coherent line interfaces, ensuring

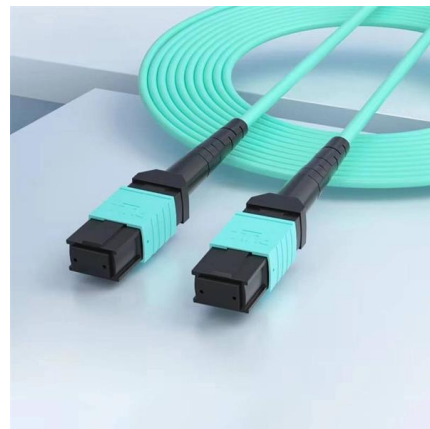


800G Solutions

For the most demanding environments, the 800G routing and switching platforms provide flexibility and choice for large scale cloud, AI, leaf and spine, routing

Windstream, Nokia tout successful 800G trial on single wavelength

Windstream Wholesale teamed up with Nokia to successfully trial 800 Gigabit Ethernet (GE) service transmission over a single 800 Gbps wavelength. The demonstration, which used



PUSR Industrial Router Selection Guide: Matching Performance to

July 24, 2025 PUSR Industrial Router Selection Guide: Matching Performance to Scenarios In the industrial internet era, the selection of industrial routers directly determines the stability, security, and



Understanding 800G Ethernet: Architecture, Standards, and Strategic

Comprehensive guide to 800G Ethernet deployment -- technical architecture, QSFP-DD vs OSFP comparison, migration roadmap, ROI/TCO analysis, deployment checklist, and FAQ for



IP Addressing: NAT Configuration Guide, Cisco IOS XE Fuji 16.7.x

CGN NAT can scale to higher number of translations on ESP200 using the ip nat settings scale bind command. Carrier Grade NAT Support for Broadband Access Aggregation You can

Selection Guide for LTE Routers in Large-Scale Industrial Projects

The selection of LTE routers for large-scale industrial projects is a "cornerstone project" for digital transformation. With its military-grade protection, intelligent backup, and cloud management, the





Contact Us

For datasheets, pricing, or custom telecom energy solutions, please visit:
<https://koskolong.co.za>