



Overview

Complete guide to Extreme Networks 800G transceiver solutions: optical link budget calculation, DDM monitoring capabilities, compatibility verification, and comprehensive deployment checklist for high-speed networks. Cisco QSFP-DD and OSFP 800G ZR/ZR+ digital coherent optics modules enable 800G traffic over amplified Dense Wavelength-Division Multiplexing (DWDM) links up to 120 km for 800ZR and over 1000 km for 800G ZR+. Arista's 800G platforms allow data centers and high-performance computing environments to address growing needs for higher bandwidth at lower cost and power per gigabit. DAC · ACC · AEC · AOC · Optical Transceivers — the complete engineer's framework for choosing the right interconnect for every link in your AI data center.



Selection Guide for 800G Passive Optical Networks with Relay Protection



ITU-T Rec. G.9804.1 (11/2019) Higher speed passive optical networks

Higher speed passive optical networks- Requirements Summary Recommendation ITU-T G.9804.1 serves as a guide for the development of higher speed passive optical network (PON) systems, by

Cisco OSFP 800G Transceiver Modules Data Sheet

Note: The OSFP-800G-VR8, OSFP-800G-VR8P, OSFP-800G-DR8 and OSFP-800G-DR8P require patch cords with angled physical contact (APC) MPO connectors. All cables and cable assemblies



800G Coherent Technology: Principles, Benefits & Use

The rise of 800G coherent optics addresses the escalating need for high-bandwidth, low-latency connectivity across data center interconnects, carrier

ITU-T Rec. Series G Supplement 51 (02/2016) Passive optical network

Passive optical network protection considerations
Passive optical networks (PONs) can generally be



considered point-to-multipoint networks, much like wireless networks such as wireless fidelity (Wi-Fi),



100G to 1.6T Optical Module PHY Product Selection Guide

Broadcom's Active Copper PHY portfolio enables DAC cable providers to build very low insertion-loss profile, ultra-low latency, ultra-low power cables for 100G/400G/800G/1.6T hyperscale/AI networks

800G Transceivers and Cables

800G Transceivers Guide 800G transceivers, Active Optical Cables (AOCs), and Direct Attach Copper (DAC) cables are cutting-edge components designed to



- ✓ Slow Axis Aligned (0°) - for standard sensing applications
- ✓ Fast Axis Aligned (90°) - for special modulation applications
- ✓ 45° Axis Aligned - for depolarizer applications



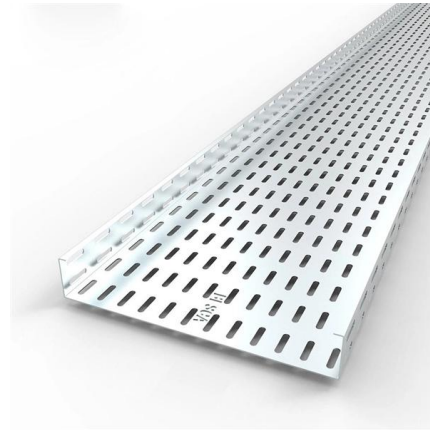
Extreme Networks 400G/800G Cables: DAC & AOC Selection Guide

Complete guide to Extreme Networks 400G/800G cabling solutions. Compare DAC and AOC cables for high-speed network deployments with expert selection criteria and best practices.



800G Multimode Optical Module Selection: QSFP-DD or OSFP? SR8

A comprehensive guide to 800G multimode optical module selection: compare QSFP-DD and OSFP form factors, analyze SR8 vs 2xSR4 application scenarios, and master fiber patch cable



800G Data Center Interconnect Guide: DAC, AEC, AOC

Engineer's guide to 800G cables: DAC, ACC, AEC, AOC, DR8 transceivers. Distance zones, power budgets, TCO, NVIDIA platforms, 1.6T

Cisco OSFP 800G Transceiver Modules Data Sheet

They meet the IEEE 800GE requirements along with the flexibility of 400GE, 200GE, and 100GE connectivity options for data centers, high-performance computing networks, enterprise core and



Introducing the 800G SR8 Solution for Data Centers

Explore the 800G SR8 solution, its benefits, applications, and performance in high-speed data centers. Discover how it enhances network efficiency and scalability.



Cisco OSFP 800G Transceiver Modules Data Sheet

The OSFP 800G transceiver modules are Cisco's new generation of pluggable transceiver modules based on the OSFP specification. They offer



Cisco QSFP-DD and OSFP 800G ZR/ZR+ Coherent

They expand Cisco routed optical networking applications to include 800G links and are compatible with Cisco and third-party 800G-capable routers,

800G OpenZR+

The OIF-800ZR Implementation Agreement and the Open ROADM version 7.0 specifications provide comprehensive guidelines for 800G coherent line interfaces, ensuring





Product Catalog



800G ZR/ZR+ Coherent Optics - MapYourTech

800G ZR/ZR+ Coherent Optics: Comprehensive Technical Guide 800G ZR/ZR+ Coherent Optics Comprehensive Technical Guide to Next

Understanding 800G Ethernet: Architecture, Standards, and Strategic

Comprehensive guide to 800G Ethernet deployment -- technical architecture, QSFP-DD vs OSFP comparison, migration roadmap, ROI/TCO analysis, deployment checklist, and FAQ for



800G QSFP-DD Cable and Transceiver Modules Data Sheet

This transceiver is compliant with IEEE802.3ck, IEEE 802.3cu, QSFP-DD MSA and CMIS Rev 5.0 standards, suitable for 800G Ethernet, Data Center, Breakout 2x 400G XDR4 or 8x

Frequently Asked Questions , Juniper Networks

Higher port density--One 800G optic can replace two 400G optics, providing a higher port density and easier aggregation of 400G optics.
Scalability--800G optics are compatible with upcoming network



REINFORCED VIRGIN PVC TRUNKING

Superior Crush Resistance



37.6MPA
Tensile Strength

2856MPA
Elastic Modulus

9.8KJ/M²
Impact Strength

1.54G/CM
Density



800G OSFP DAC vs. AOC vs. AEC: A Technical Selection Guide

Compare 800G OSFP DAC, AOC, and AEC for AI data centers. Discover why Passive DAC is the king of low-latency, zero-power interconnects for reaches under 3m.

Extreme Networks Transceiver Solutions: Selection Guide for 800G

Complete guide to Extreme Networks 800G transceiver solutions: optical link budget calculation, DDM monitoring capabilities, compatibility verification, and comprehensive deployment



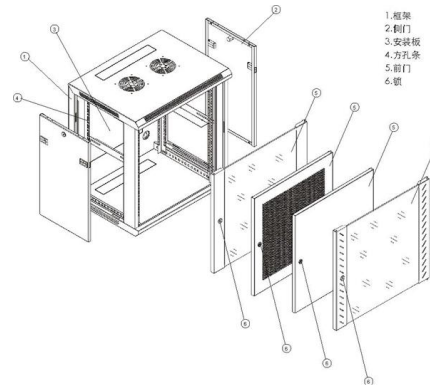
800G OSFP IHS vs RHS: Complete Selection Guide , 2026

800G OSFP Guide: IHS vs RHS Selection for AI Data Centers IHS vs RHS Selection for AI Data Centers. Everything network architects need to know



Juniper 800G Optical Transceivers and Cables Guide

Use this guide to learn about the Juniper Networks® 800G optical transceivers and cables, their specifications, and how to install, remove, and maintain these transceivers.

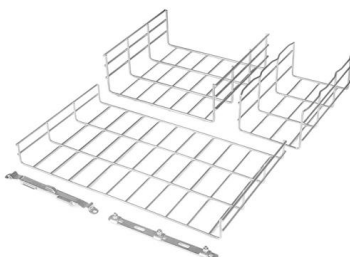


Features of 800ZR and 800G OpenZR+ , Junos OS , Juniper Networks

Describes the 800ZR and 800G OpenZR+ features like application selection, transmit output power, loopback, and so on. This topic also includes the configuration steps of these features.

Choose the Right 800G Optical Transceiver for Your

Need help choosing the right 800G optical transceiver for your data center? Explore our selection of 800G QSFP-DD/OSFP modules with expert tech



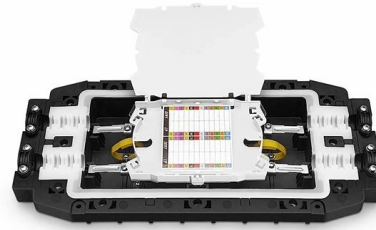
800G: An Inflection Point for Optical Networks

Orion, Marvell's latest CDSP, represents a pivotal moment in the module evolution. Delivering up to 800 Gbps of bandwidth, Orion provides the



NVIDIA Optical Module Solutions|Selection Guide: 800G Optical Link

Comprehensive guide to selecting and deploying NVIDIA 800G optical modules. Learn about optical link budget calculations, QSFP-DD/OSFP compatibility, deployment checklists, and



800G OSFP112 SR8 2xMPO12

800G OSFP112 SR8 100m Optical Transceiver Module P/N: GOS-MPO801-SR8C(2xMPO12)

Arista 800G Transceivers and Cables: Q& A

Arista supports a range of 800G optical transceivers, Active Optical Cables (AOCs), Direct Attach Copper cables (DACs), and Active Electrical Cables (AECs) in both OSFP and QSFP-DD form factors.



800G QSFPDD SR8 100m Optical Transceiver Module , GIGALIGHT

800G QSFPDD SR8 100m Optical Transceiver Module P/N: GQD-MPO801-SR8C(MPO16)



Contact Us

For datasheets, pricing, or custom telecom energy solutions, please visit:
<https://koskolong.co.za>