



**Adam Tas Corridor Energy**

# **Senegal Building Electrical Distribution Box Shell**





## Senegal Building Electrical Distribution Box Shell

---

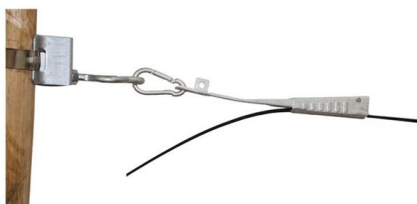


### Senegal on course for universal access to electricity

Three VINCI Energies entities - in Morocco, from where the project was managed, in Senegal and in Paris - have joined forces in a consortium. At its operational peak

### VINCI Secures EUR200 Million Electrical Infrastructure

VINCI Energies and Senelec have signed a EUR200 million contract to build an array of electricity transmission and distribution infrastructure. French

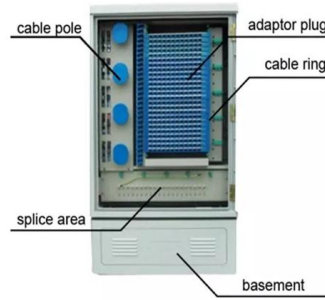


### Understanding Distribution Boxes:A Comprehensive Guide

A distribution boxes is an essential device that manages the safe and efficient flow of electrical power throughout different areas of a building or facility.

### Reliability for Senegal

With the goal of extending reliable electrification, Senelec awarded Vinci a 197-million euro contract to supply build networks in Senegal.



## The Importance of Distribution Boxes in Electrical Systems

Learn more about how distribution boxes play a critical role in the safe and efficient operation of electrical systems.

### Distribution Box Guide

What is a distribution box? A distribution box is a critical component in any electrical system, acting as a central hub for distributing electricity to various circuits. Think of it as the heart of



## Significant electrical infrastructure upgrade for Senegal

VINCI Energies, a global player in concessions, energy and construction, has secured an EUEUR200mn (approx. US\$218mn) contract with Senelec, the state-owned electrical company of



## VINCI to build electrical infrastructure in Senegal

VINCI Energies and Senelec have signed a EUR200 million contract to build an array of electricity transmission and distribution infrastructure. French authorities will



## Vinci wins EUR200m deal to build electrical infrastructure in

A subsidiary of French construction giant Vinci and Senegal's national electricity company Senelec have agreed a EUR200 million (US\$219.5 million) deal

## Distribution Box: Types and Functions , Axis-Electricals

A distribution box ensures that electrical supply is distributed in the building, also known as a distribution board, panel board, breaker panel, or electric panel.



## Modular Enclosures

Modular electrical distribution box A distribution box built to make the work easier for the electrical contractor. This electrical distribution box can be flush-mounted or surface-mounted.



## Distribution Box Guide: Types, Components & Solutions

Understand distribution boxes (DB boxes) in 5 minutes. Learn about types, components, functions, and uses. Find the perfect DB box for your needs.



## What is the Internal Structure of The Distribution Box

Learn about the internal structure of a distribution box, its components, functions, and key types. Understand its role in electrical systems

## VINCI to build electrical infrastructure in Senegal

VINCI Energies and Senelec have signed a EUR200 million contract to build an array of electricity transmission and distribution infrastructure. French





LoRawan outdoor base station

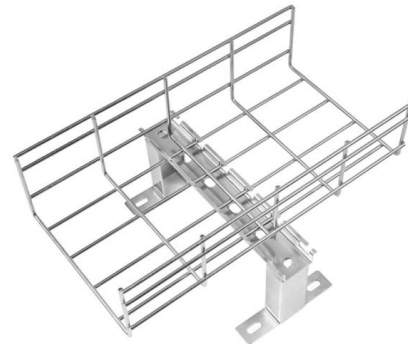


## Senegal sets sights on transmission and distribution

Senelec, the national electricity company of Senegal, has signed a EUR200 million (\$217,570,000) contract with a construction engineering company to

## Senegal electrical distribution system tenders

Get access to latest Senegal electrical distribution system tenders and government contracts. Find business opportunities for Senegal electrical distribution system tenders.



## Distribution Box: Types and Functions , Axis-Electricals

A distribution box ensures that electrical supply is distributed in the building, also known as a distribution board, panel board, breaker panel, or

## What is an Electrical Distribution Box? A

An electrical distribution box is often called the control hub of a building's electrical system, and for good reason. It's where power from the main



### VINCI to build electrical infrastructure in Senegal

This project is part of a wider programme to expand Senegal's transmission and distribution grid, with a view to efficiently and sustainably strengthening the country's energy capacity



### Understanding Distribution Boxes: A Comprehensive Guide

A distribution box, also known as a power distribution box or electrical distribution box, is used to distribute electrical power safely to multiple



### The installation requirements for the distribution box

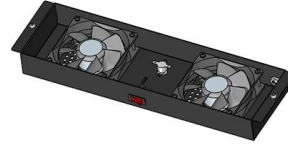
A distribution box is the heart of any electrical system. It takes the incoming power and safely distributes it to different circuits throughout your





## Site Boxes in stock at One Elec: express delivery

Site Boxes A site box is an electrical device used on temporary sites such as construction sites, market stalls, campsites and trade fairs. It provides temporary electrical distribution before the electrical



## Senegal closing on universal electricity access

The Senegal Energy Access Scale-Up Project is building and rehabilitating nearly 4,000 kilometers of power lines and will bring electricity to

## Panelboards and Distribution Panels: What They Are

Introduction Navigating the world of electrical distribution can be confusing, with terms like panelboard, switchboard, and distribution box often



## How to Choose a House Distribution Box , CHINT global

A well-chosen distribution box ensures the safety and efficiency of your household electrical system. This article guides you through selecting a



### **VINCI will build a set of electrical infrastructures in Senegal**

VINCI Energies has signed a EUR200 million contract with the National Electricity Company of Senegal (Senelec) for the construction of a set of electricity transmission and distribution



### **ENERGYBOX Assemblies for Construction Sites (ACS)**

The panels are made in a sturdy and handy two-component technopolymer cabinet with a fire-resistant backrest, which allows them to be stored and reused in the



### **Distribution Boxes Types - The Complete Guide**

The power distribution boxes deliver electricity from the main electrical main to other circuits. Several distribution boxes are designed for specific use in





## Contact Us

---

For datasheets, pricing, or custom telecom energy solutions, please visit:  
<https://koskolong.co.za>