



**Adam Tas Corridor Energy**

# **Separation of fiber optic cable and wire**





## Overview

---

Avoid routing fiber optic cables directly alongside copper cables, as vibrations or weight from copper can stress fiber cables, increasing the risk of macrobending. Use separate trays, ladders, or conduits for fiber optics when possible. Fiber optic joints or terminations - where cables are terminated - are made two ways: 1) connectors that mate two fibers to create a temporary joint and/or connect the fiber to a piece of network gear (left) or 2) splices which create a permanent joint between the two fibers (right). e cited in contract, program, and other Agency documents as a technical requirement.



## Separation of fiber optic cable and wire

---



### Preparing your Fiber Optic Cable for Connectors or Splices

Learn the essential steps and tools for preparing fiber optic cables for connectors or splices. Master mechanical and fusion splicing techniques to

### Fiber Optic Cable Preparation And Termination Instructions

Visit our website at [for complete, easy-to-follow instruction videos for every facet of fiber optic preparation, termination, cleaning and testing.](#)



### Fiber Optic Cable Termination Guide , Fusion & Mechanical

Learn fiber optic cable termination methods including fusion splicing and mechanical connectors, tools, steps, and best practices for low-loss networks.

### Fiber Optic Cable - Method of Joining and Fusion Splicing

Fiber Optic Cable Fiber optic cable transmit information as light pulses, rather than the



electrical impulses used by traditional wire cables. They

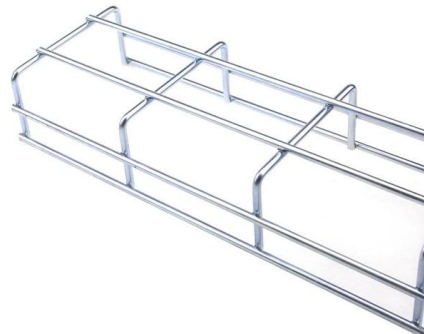


## Everything you need to know about fiber optic termination

We terminate fiber optic cable two ways - with connectors that can mate two fibers to create a temporary joint and/or connect the fiber to a piece of network gear or

## Terminating and crimping for fiber optics: methods and tips

To connect to other devices or equipment, an optical fiber needs to be terminated. This means either fitting a connector to its end, or connecting it directly to another fiber, known as splicing.



## Cable Separation Guidelines in Data Centers: Avoiding

Avoid routing fiber optic cables directly alongside copper cables, as vibrations or weight from copper can stress fiber cables, increasing the risk of



## How to Terminate Fiber in Seconds

In this video, we'll guide you through preparing and terminating fiber optic cables using SimplyFiber products, known for their high quality, ease of use, and reliability.



## Structured Cabling Solutions

ICC is a structured cabling solutions manufacturer of copper & fiber optic connectivity products for commercial & residential applications.

## Complete Guide: How To Terminate Fiber Optic Cable

Fiber optic termination is the process of preparing and connecting the end of a fiber optic cable so it can transmit data. Termination involves attaching either a



## Optical Communications Products

Browse our optical communication connectivity products designed to help you enable your communication networks. Easily create a bill of materials list.



## What are the different types of network cables?

Compare the different types of network cabling: coaxial, fiber optic, shielded twisted pair and unshielded twisted pair.

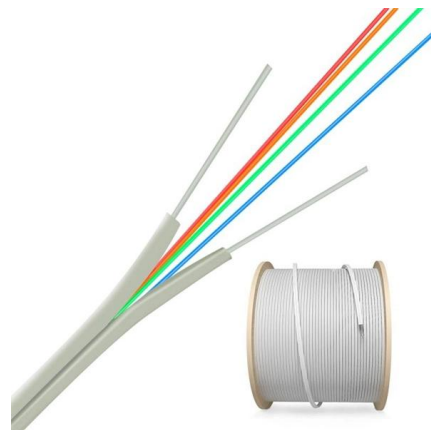


## Everything you need to know about fiber optic termination

Fiber Optic Termination Tutorial We terminate fiber optic cable two ways - with connectors that can mate two fibers to create a temporary joint and/or connect

### 3BL

We've helped over 1,500 organizations build stronger communications and distribute their stories on credible publishers that drive reputation.





## **Cable Cutting Machine Plastic Copper Separator Equipment Fibre Optic**

Function:Recycle Copper Wires Usage:Waste Raw  
Material Shredding Advantage:High Efficiency  
Low Energy Consumption Voltage:380V 50Hz  
3Phase/Customized After-sales Service  
Provided:Online

## **How to Strip and Prepare Fibre Optic Cable for**

Introduction: Stripping and preparing fibre optic cables for termination is a critical step in the installation and maintenance of fibre optic networks.



## **Online Bulk Cable Company , CableWholesale**

As a premier online bulk cable company, CableWholesale carries a large inventory of computer cables, USB, HDMI, fiber optic, VGA cables, and more. Shop now!

## **The Ultimate Guide to Fiber Optic Termination: A Technical and**

This report serves as a comprehensive technical guide to the intricate world of fiber optic termination.



## The Ultimate Guide to Fiber Optic Termination: A Technical and

Proper fiber optic termination is a crucial process for ensuring the reliability, performance, and long-term durability of any fiber optic network. The process of fiber optic cable termination is the

### AFL

AFL is a leading provider of fiber optic solutions for broadband networks, data centers, energy infrastructure, and other applications. We offer a wide range of



## Termination of Fiber Optic Cables

This fiber optic installation method statement covers the termination of fiber optic cables with patch panel, network distribution cabinet NDC and door junction box





## WORKMANSHIP STANDARD FOR FIBER OPTIC TERMINATIONS,

12.2.1 Fiber optic cable assemblies should not be combined in the same wiring bundle as wire or coaxial cable assemblies to ensure they are not exposed to handling practices that are acceptable for



## Fiber Optic Cable Preparation And Termination Instructions

Our Fiber Optic Termination and Test Probe Kits allow field technicians the convenience of completing final termination of precision termini on location for easy and efficient cable routing and installation.

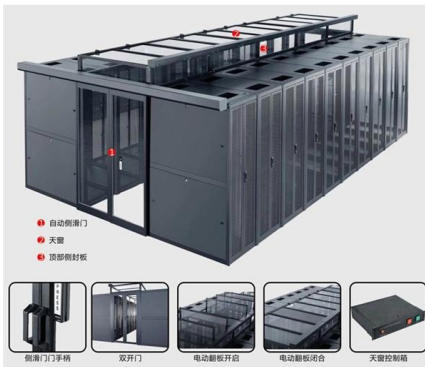
## How to Terminate Fiber Optic Cable: Top 5 Essential Tips

Learn how to terminate fiber optic cable with connectors and splicing. Discover tools, techniques, and tips for precise termination.



## Fiber-optic cable

A fiber-optic cable, also known as an optical-fiber cable, is an assembly similar to an electrical cable but containing one or more optical fibers that are used to carry



## The FOA Reference For Fiber Optics

Different connectors and termination procedures are used for singlemode and multimode connectors. Multimode fibers are relatively easy to terminate, so field termination is generally done by installing

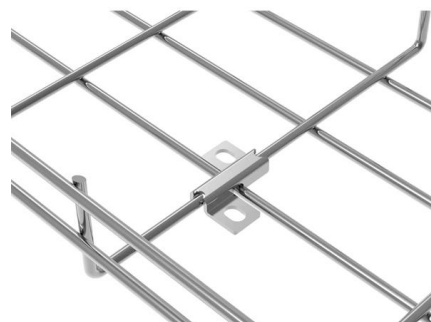


## What Is Fiber Optic Cable Splicing? A Beginner's Guide

Fiber optic splicing is often the preferred way to connect two fiber optic cables because it has lower light loss (attenuation) and back reflection than

## Complete Guide: How To Terminate Fiber Optic Cable

How to terminate fiber optic cable?Fiber optic termination is the process of preparing and connecting the end of a fiber optic cable so it can transmit data.



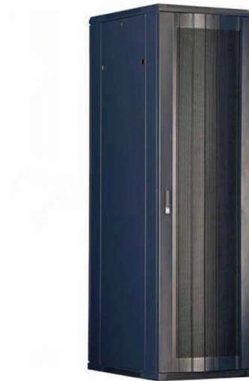


## **Electric cable and Multi mode fiber optic cable**

Apologies if this has been asked before for different levels of voltage is Medium 415 V, 11KV etc.. is there a minimum separation distance from mult

## **Optical Fiber , Optical Fiber Products , Corning**

Optical fiber broadband brings together a culture of innovation, quality, and manufacturing excellence to create life-changing products.



## **Contact Us**

---

For datasheets, pricing, or custom telecom energy solutions, please visit:  
<https://koskolong.co.za>