



**Adam Tas Corridor Energy**

# **Shielded cabling and low-voltage cable trays**





## Shielded cabling and low-voltage cable trays

---



### Cable Tray Shielding Capability: How Well Does It

Discover how a cable tray shielding capability protects cables from EMI. Learn which cable trays work best and how to improve shielding for better

### Multi-core Shielded Cable Market Size, Trends, 2026-2033

The integration of IoT sensors and smart monitoring systems into multi-core shielded cables is transforming traditional cabling into intelligent infrastructure components.



### Cable Shielding

Coreshield design, manufacture and install certificated bespoke cable screening systems for all situations. The most popular is our lightweight high permeability system suitable for most

### PLTC Cable vs Other Tray Cables

It's worth noting that ITC cables should be separated from 600-volt power cabling to avoid noise or cross-talk, even when shielded. This is



### Cable tray

ABB designs and manufactures cable tray systems, including perforated tray, cable ladder, channel tray and strut (metal framing).



### Low-Voltage Power Cable

Belden's Low-Voltage Power Cables include UL tray cable in power sizes and CSA Teck 90 cables (3 conductor with ground or 4 conductor with ground products)



### Power/Control Wiring Separation , Information by Electrical

I'm wondering what most specifications call for regarding separation/spacing between power and DC instrumentation cabling in an industrial environment (for noise/interference reduction).





## Cable Tray Technical Guide A practical guide to product selection and

Cable tray installed in a hazardous location must contain only those cables that are appropriate for this type of environment as defined in Chapter 5 of the NEC.



## Cable Separation Standards , Winnie Industries

Why It Matters: High-voltage and limited energy circuits routed too closely can cause cross-talk, distortion, or packet errors, especially in dense

## Cable trays are finding more low- voltage use , Cabling

The cable-tray market is moving away from products made of galvanized steel and toward aluminum and plastic as materials. Also, center-spine design and



## Annexure D

Cables and cable support systems for extra-low voltage and low voltage must be designed and constructed conforming to the General Electrical Requirements and this Annexure. Specific earthing



### Layout 1

We have the definition, Screening of cabling elements; "When required by the relevant sectional specification the cabling elements shall be screened by one or any combination of the following: Data



### In-Depth Guide to Shielded Cables: From EMC

Shielded instrumentation cables isolate sensitive measurement signals from high-voltage circuits, preventing false readings and protecting control systems in

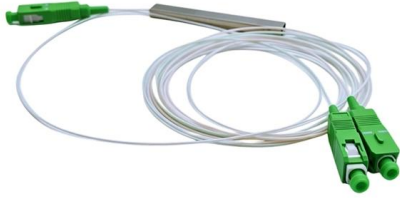
### What is Shielded Tray Cable and How to Install It?

Understanding 'What is Shielded Tray Cable and How to Install It?' is no longer a mystery, is it? This robust and versatile cable, designed to battle the trials of EMI, is a key component in





## Core Principles for Electrical and Instrumentation Cable



Layered Separation: Strong current and high-voltage cables are positioned apart from low-current, low-voltage instrumentation cables. Layered separation reduces

## How to Choose Cable Tray for Low Voltage System

Discover a professional 5-step guide on how to choose the right cable tray for low voltage system. Learn about types, sizing, standards for reliable



## Low Voltage Wiring Code: All You Need To Know

Dive into the essential details of the low voltage wiring code to ensure your installations meet current safety and quality standards.

## Types of Cable Typically Used in Cable Tray

Type ITC - Instrumentation Tray Cable - (NEC Article 727) - These types of cables are instrumentation cables and are available in shielded or unshielded





## 7 Types of Cable Trays: How to Choose the Right One

Cable tray systems are engineered support structures designed to route, support, and protect insulated electrical cables used for power distribution,

### Tray Cable Shield: Should I Choose Shielded or

Unshielded tray cables are an economical solution where electrical interference is not a concern. Shielded tray cables provide some added durability and EMI



## The Ultimate Guide to Tray Cables: Types, Applications and

When it comes to powering, automating and protecting facilities?from factories and petrochemical plants to data centers and high-rises?the right cable makes all the difference. Among the various

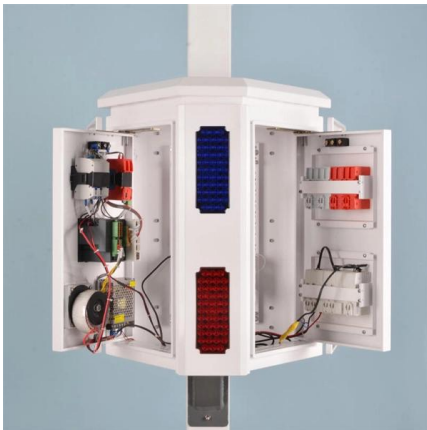
### Search

Search Up to 36% lower carbon footprint than standard plastic cable ties Globally, only 9% of plastic waste is recycled, and by 2050, up to 12 billion tons could pollute our landfills, waterways, and



## SHIELDED

Lake Cable manufactures reliable, highly engineered solutions to your applications' exact specifications and requirements, including Industrial, Utility, Custom OEM and Broadcast quality



## Tray & TC Cable

TC Tray Cables are installed in cable trays, ducts and conduit; they can also be used in direct burial applications. They are extensively deployed in manufacturing



## Tray Cable Shield: Should I Choose Shielded or

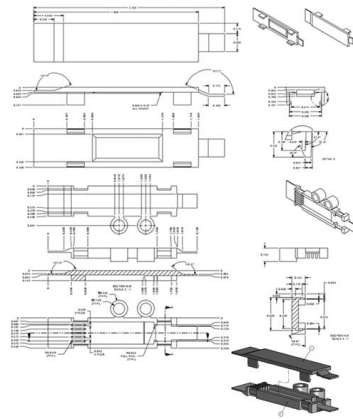
Selecting shielded or unshielded tray cable depends on the application and installation requirements. Shielded cables are necessary in environments with





## Prysmian CHTC® Low Voltage Tray Cables

Application The CHTC® cable is ideal for a wide range of applications, including but not limited to: audio, intercom, control, energy management and alarm circuits. The CHTC® instrumentation cable can be



## Contact Us

---

For datasheets, pricing, or custom telecom energy solutions, please visit:  
<https://koskolong.co.za>