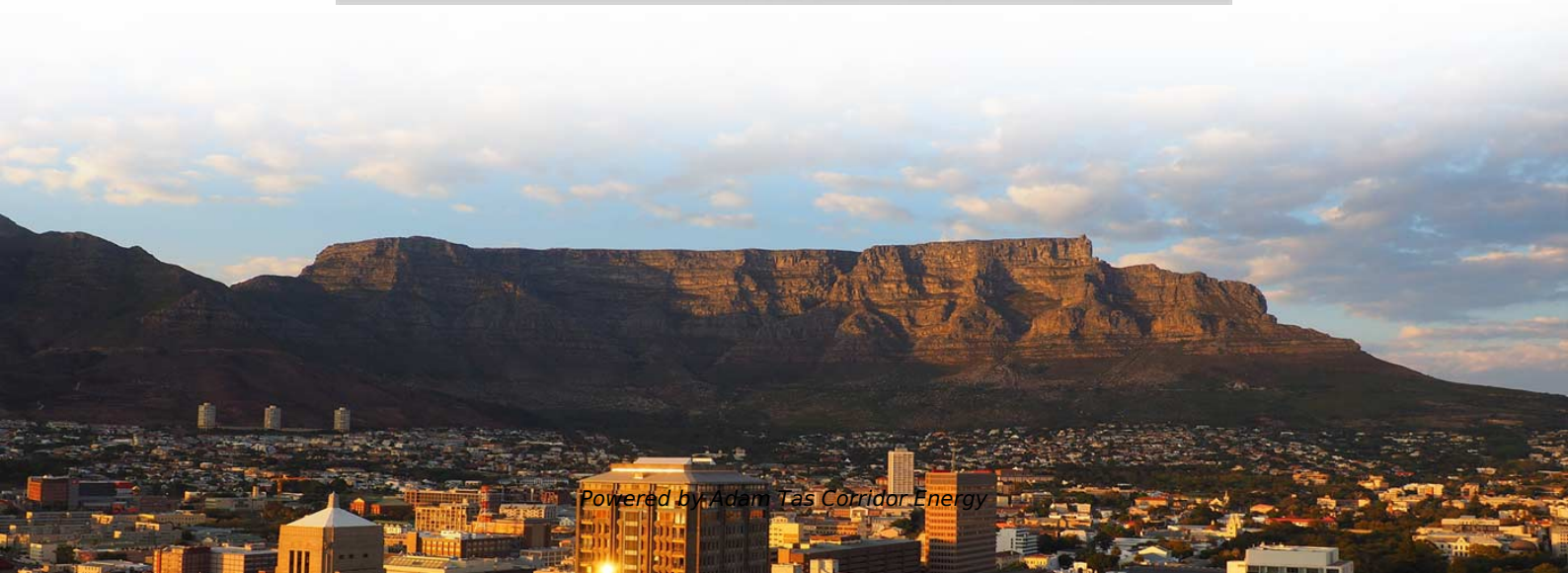




**Adam Tas Corridor Energy**

# **Shipping volume of optical module 100200400g**





## Shipping volume of optical module 100200400g

---



### 400G Optical Transceivers , OEM Compatibility

OEM optical transceivers come with a premium price tag. Carritech Optics provides high-quality alternatives that deliver identical performance,

### Optical module packaging form and size standards

Optical modules are an important part of optical communication systems and are used to transmit and receive optical signals. The packaging form and size standards of optical modules have



### Volumetric Calculator , Unicargo: Calculate Shipment Dimensions and Volumes

Use Unicargo's volumetric calculator to accurately determine shipment dimensions and volumes. Optimize your logistics planning and ensure cost-effective shipping. Try our calculator now!

### Optical Modules Evolution and Innovation From 400G to

Explore the evolution of optical modules in speed and form factors from 400G to 1.6T, stressing



key enhancement technologies, and paths to



### 10-800G Optical Transceiver , Wholesale Optical

Wholesale 10G-800G optical transceivers by Fibrecross: high-performance, cost-effective modules with dedicated support for data centers infrastructures.



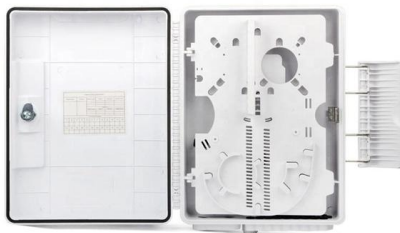
### 400G Optical Module: Growth Opportunities and Competitive

The 400G Optical Module market is projected to reach \$14.8B by 2025, growing at 11.5% CAGR. Demand from data centers and telecom drives this expansion. Access market growth analysis.



### The Ultimate Guide to 1G SFP Modules

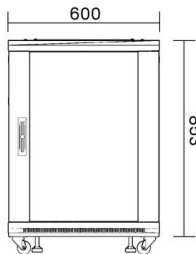
In this comprehensive guide, we delve into the world of 1G SFP modules, providing a complete understanding of their functionality, types, and





## The Most Comprehensive Guide Of Optical Modules

Explore the ultimate guide to optical modules. Learn types, functions, performance metrics & how to choose the right module for your fiber network.



## FiberMall's Mass Production of 400G QSFP-DD Optical

Thereafter, during 2019~2021, FiberMall has successively launched 400G QSFP-DD FR4/ DR4 optical modules and provides a large volume for Internet customers.

## 100g light module characteristics and application

A 100G optical module is a high-speed optical transceiver that is capable of transmitting data at a rate of 100 gigabits per second. These modules are used in a variety of applications,



## The Evolution of Optical Modules: 400G -> 800G -> 1.6T - A Strategic

Why Optical Modules Matter Now Exponential Demand Growth: Shipments of 400G and 800G modules exceeded 20 million units in 2024, generating nearly \$9 billion in revenue. The optical



## FS Community

Hier sollte eine Beschreibung angezeigt werden, diese Seite lässt dies jedoch nicht zu.



## Optical Transceiver Modules Prices & Specifications

What is Optical Transceiver Modules/SFP? Optical Transceiver Modules/SFP, also called fiber optic transceiver or optical transceiver, is a typically hot-pluggable

## Introduction to Common 100G Optical Module Types,

By understanding the different types of 100G optical modules available, their advantages, and application scenarios, organizations can make informed

### STAINLESS STEEL WIRE MESH

- Long-lasting and durable
- Comprehensive specifications
- Customized non-standard products



## Datacom optical modules demand reaches record levels - Signal AI

Telecom optical module shipment growth was concentrated in 400G coherent pluggables, which were up more than 35% YoY. Marvell and Acacia experienced strong shipment growth.



## AI drives ramp-up in datacom optics - report

Total shipments of leading-edge datacom optical modules are projected to tally over US\$9 billion for 2024, according to the latest Optical



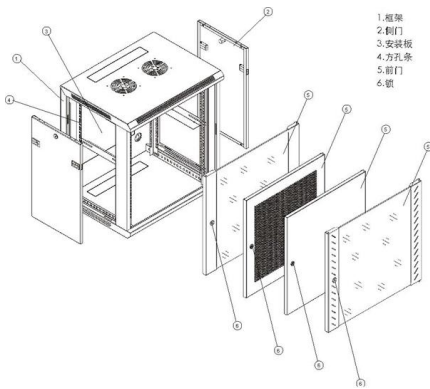
## 200G Optical Module Market 2025

200G Optical Module Market was valued at 2625 million in 2024 and is projected to reach US\$ 4991 million by 2032, at a CAGR of 9.9% during the forecast period.

## Signal AI: 400G and 800G Optical Module Shipments

The demand for high-speed datacom optical modules has surged, with shipments of 400G and 800G units exceeding 20 million in 2024, totaling over \$9





## Optical Components

Detailed unit shipment forecasts for each Datacom and Telecom optical module category. No market share for detailed unit shipments is provided;

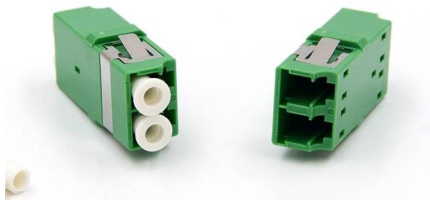
### 400G vs 800G Optical Modules: Differences, Use Cases, and

Compare optical modules for data centers and AI clusters. Learn key differences in standards, power, cabling, and use cases.



### Hyperscaler demands drive up demand for optical

The research firm said the telecom optical module shipment growth was concentrated in 400G coherent pluggables, up more than 35% yearly. Marvell



### Optical Modules Market Research Report 2034

The shift from electrical to optical interconnects at ever-shorter reach distances, including intra-rack co-packaged optics (CPO) configurations, is dramatically





## Contact Us

---

For datasheets, pricing, or custom telecom energy solutions, please visit:  
<https://koskolong.co.za>