



**Adam Tas Corridor Energy**

# **Silent Fan in Distribution Box**





## Silent Fan in Distribution Box

---



### Duct Ceiling Mounted Silent Box Inline Ventilation Fan

DPT series duct-type silent fan adopts a dual-suction and direct-coupled motor structure design, which can maintain ventilation and air exchange in places while

### QV75-10150TE - 75mm 10 Point Top Entry Distribution

QV75-10150TE - 75mm 10 Point Top Entry Distribution Box 150mm spigot - Quiet-Vent - The Quiet-Vent 10 point top entry manifold is recommended to be installed



Motor protection controller



### DUCO DUCOBOX SILENT INSTALLATION MANUAL Pdf Download

Page 3 ENGLISH 01 Introduction Congratulations on your DucoBox Silent, the quietest box in Europe! The DucoBox Silent performs two functions in a DUCO Demand-Controlled Natural Ventilation

### Delta 220v silent cooling fan: a cooling tool for cabinet distribution

Overall, the delta 220v exhaust fan has become



the first choice for many users with its excellent silent effect, strong heat dissipation capacity and sturdy and durable quality.



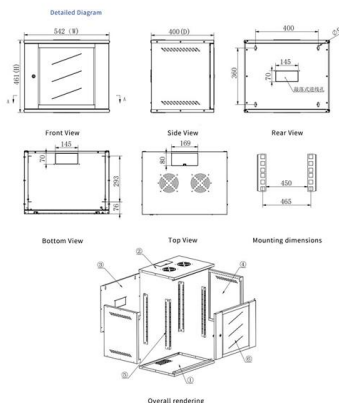
## Discover Europe's digital cultural heritage , Europeana

Hier sollte eine Beschreibung angezeigt werden, diese Seite lässt dies jedoch nicht zu.



## QV75-04125MTE - Top Entry 4 Port Distribution Box -

QV75-04125MTE - Top Entry 4 Port Distribution Box - Quiet-Vent Description: Recommended installation - secure distribution box to a ceiling or floor insert



## FF-018 Electrical Power Distribution Box Enclosure

Functional design of the intake and exit fan hoods very effectively prevents direct intrusion of falling water and dust. The advantage is that the filter mat does not



## Silent Electrical Box Noise Reduction Cooling Fan Low Decibel

Silent Electrical Box Noise Reduction Cooling Fan Low Decibel, Find Details and Price about Distribution Box Control Box from Silent Electrical Box Noise Reduction Cooling Fan Low Decibel - Wenzhou



## Quietest Box Fans for Silent Cooling and Low Decibel

The key to selecting the quietest box fan lies in understanding decibel ratings and motor efficiency. Most quality quiet box fans operate between 25-45

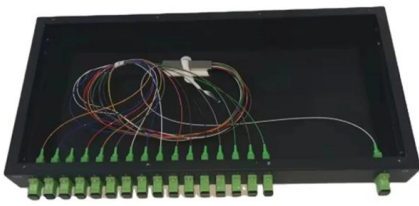
## The Best Quiet Fans to Keep You Cool and

The best quiet fan can help reduce energy costs and provide comfortable airflow. See our reviews of top picks and which features to look for.



## The 8 Best Quiet Fans For Bedrooms - Near Silent Fans

Finding a quiet fan that actually helps to cool a room down can be hard. We have done the hard work and found quietest fans that actually work well.



### **QV75-10150RE - 75mm 10 Point Rear Entry Distribution**

QV75-10150RE - 75mm 10 Point Rear Entry Distribution box 150mm spigot - Quiet-Vent - Supplied with 3 blanking caps. Dimensions - 500mm x 250mm x 200mm



### **Quietest Box Fans: Comparing Decibel Levels and Top**

If you're looking for a cooler, quieter space, a silent box fan is a perfect solution. The decibel level of a fan determines how silent it'll be, impacting

### **Silent Box Fans**

Silent Box Fans The Helios Silent Box (SB) range of Quiet in-line Centrifugal fans, offer a very quiet way to ventilate noise sensitive areas, using ducting up to 400 mm diameter. These Quiet in-line





## Quietest Box Fans: Comparing Decibel Levels and Top Silent Models



If you're looking for a cooler, quieter space, a silent box fan is a perfect solution. The decibel level of a fan determines how silent it'll be, impacting sleep, focus, and comfort. In this guide,

## Best Quiet Box Fans for Silent Cooling and Air

Whether you need silent air circulation for your bedroom, office, or living space, the right quiet box fan can provide the comfort you seek without



## How to Quiet a Loud Box Fan on My Desk : Easy Tips

Is your box fan too loud? Learn how to quiet a loud box fan on my desk fixes like cleaning, lubrication, and vibration reduction for a quieter.

## QV75-15180RE - 75mm 15 Point Rear Entry Distribution

QV75-15180RE - 75mm 15 Point Rear Entry Distribution box 180mm spigot - Quiet-Vent  
-Supplied with 4 blanking caps. Dimensions - 500mm x 350mm x 300mm



### **SB 250 C - SilentBox Centrifugal Fan - Helios**

Very quiet fans in an acoustic casing ideal for ventilating noise sensitive areas achieving good volumes at high pressures. A fully speed controllable centrifugal fan range suitable for indoor use terminal box

### **SilentBox sound-insulated duct fans**

High volume output and pressure performance with ideal sound values make Helios SilentBox centrifugal round duct fans the best solution for extract air and intake air systems with particular



### **Quiet-Vent QV75-12150MTE 12 Point Adjustable Top Entry Distribution Box**

Quiet-Vent 75mm 12 Point Adjustable Top Entry Distribution Box - High-Capacity Airflow Control for Radial Ventilation Systems The Quiet-Vent 12 Point Adjustable Distribution Box is a versatile





## Systemair KVK Silent 200 EC Fan

Systemair KVK Silent 200 EC Fan - 200mm , KVK Silent EC is a box fan with circular duct connections. The casing is insulated with thick and high density mineral wool insulation. The casing is

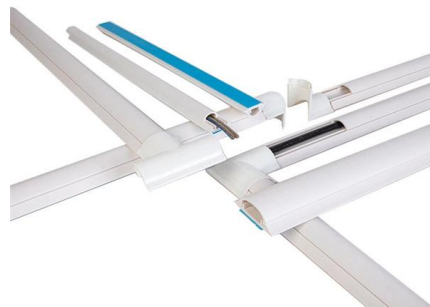


## Quietest Box Fans for Your Home: Low Decibel Options

Finding the quietest box fan for your home can significantly improve your comfort without disturbing your peace. While traditional box fans are known

## Quiet-Vent QV75-04125MTE 4 Point 75mm Adjustable Top Entry Distribution

Quiet-Vent 4 Point 75mm Adjustable Top Entry Distribution Box - Flexible Airflow Management for Radial Ventilation Systems The Quiet-Vent 4 Point 75mm Adjustable Top Entry Distribution Box is a



## Quietest Box Fans for Silent Cooling and Low Decibel

Most quality quiet box fans operate between 25-45 decibels, with the quietest models featuring advanced motor technology and aerodynamic blade



## Streamlined and quiet - insulated fans

Available in both super slim and super silent models, KVK Fans are compact box fans with circular duct connections. With corrosion-resistant casings and



## SilentBox sound-insulated duct fans

Sound-insulated with high volume and pressure performance High volume output and pressure performance with ideal sound values make Helios SilentBox

## Small Axial Fan Distribution Box Cabinet Powerful

Small Axial Fan Distribution Box Cabinet Powerful Cooling Fan 220 V High Speed Industrial Silent Exhaust Fan, Find Details and Price about Cooling Fan Fan from





## Contact Us

---

For datasheets, pricing, or custom telecom energy solutions, please visit:  
<https://koskolong.co.za>