



**Adam Tas Corridor Energy**

# **Single-mode transceiver connected to multimode fiber optic cable**





## Overview

---

Using a single-mode SFP with a multimode fiber cable is not recommended and can lead to several issues: Signal Loss: The core size mismatch between single-mode SFPs and multimode fibers can cause significant signal loss. These differences determine which transceivers work with which fiber and how far signals can travel. Understanding the compatibility constraints prevents costly downtime and troubleshooting. 5 $\mu$ m (OM1) or 50  $\mu$ m (OM2/OM3/OM4/OM5) – so this 1000Base-SX SFP's transmitting interface is conditioned to connect the LED source to this. It has a small core diameter, typically around 8 to 10 micrometers, and is used for long-distance communication because it supports higher bandwidths and longer.



## Single-mode transceiver connected to multimode fiber optic cable

---



### Multi-mode optical fiber

Multi-mode optical fiber is a type of optical fiber mostly used for communication over short distances, such as within a building or on a campus. Multi-mode links can

### Optic Modules Datasheet

Optic Modules Data Sheet SFP (form factor) = small form-factor pluggable transceiver SMF (media) = single-mode fiber-optic MMF (media) = multimode fiber-optic XFP (form factor) = 10-gigabit small



### Dell networking transceivers and cables

This solution can be deployed with a single active optical cable (AOC) with integrated QSFP+ and SFP+ transceivers or using a passive fiber breakout cable. Dell enables cost-savings through the reuse of a

### Fiber Optic Color Code: The Ultimate TIA-598-C Guide

Master the TIA-598-C fiber optic color code standard. Read our complete guide and use our



free interactive calculator to easily identify 1-144 core cables.



### Can I use single mode equipment over multimode cable and vice

To converter MMF to SMF, plug one of the slots with a 10GBASE-SR SFP+ transceiver for multimode fiber connection and the other slot with a 10GBASE-LR SFP+ transceiver for single-mode

### Can i use single mode sfp with multimode cable?

Using a single-mode SFP with a multimode fiber cable is not recommended and can lead to several issues: Signal Loss: The core size mismatch between single



### Fiber Optic Cables , Fiber Patch Cables , Patch Cords,

We stand behind the craftsmanship of every fiber optic product we deliver. From Indoor / Outdoor, Single mode & Multimode to Mode Conditioning and SFP



## Fiber Optic Cables, Patch Panels & Networking Products

Shop high-quality fiber optic cables, patch panels, adapters & networking solutions. Fast US shipping, bulk pricing, and reliable performance.



## How do you connect SFP to fiber optic cable?

To connect a Small Form-factor Pluggable (SFP) module to a fiber optic cable, follow these steps:

1. Ensure that the SFP module is

## Singlemode vs Multimode Fiber Optic Cable

We breakdown the differences between single mode and multimode fiber optic cable, covering aspects like physical structure, bandwidth over



## Whether the Multimode Fiber SFP Transceiver Work Over Single

This article will give you a clear explanation about the feasibility of the solutions, and introduce two relevant devices: mode conditioning cable and multimode to single-mode fiber media



## Multi-Mode to Single-Mode Conversion: How to Bridge

Convert fiber between multimode and single mode using smart methods for better speed, longer distance, and reliable network performance.



## Can we connect multimode SFP with Single mode fiber?

Learn why connecting multimode SFP transceivers to single mode fiber isn't recommended. Technical explanation of compatibility issues and

## Cables and Accessories

SEL manufactures high-quality fiber optic, ethernet, coaxial, and other cables and accessories. Sized to order and quality tested for reliability and operation.





## How to Convert Multimode to Single-mode Fiber: A

Discover the complete guide on converting multimode to single-mode fiber in communication networks. Understand the differences and learn the



## Can I use single mode cable with multimode SFP?

Which SFP fiber Cable Should I Choose for My Fiber Optic Transceivers? Now, I will take the Cisco fiber optic transceiver as an example to discuss this topic. For example, we need to

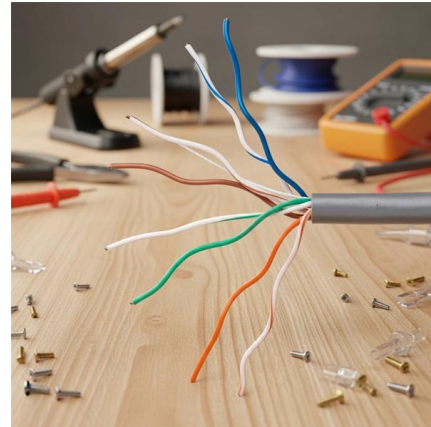


## Single-mode vs. Multimode Transceivers: How Do You

In comparing singlemode vs. multimode transceivers, you'll find that singlemode fiber cabling systems are suitable for long-reach data transmission applications,

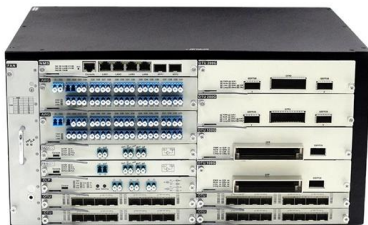
## 2025 How to Identify Single-Mode vs. Multimode SFP Modules for

Learn how to identify single-mode and multimode SFP modules with our comprehensive guide. Explore SFP features, testing methods, and compatibility.



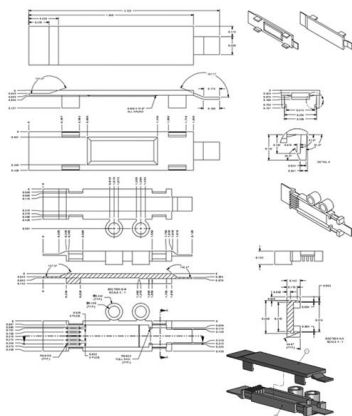
## Multi-Mode vs Single-Mode Transceivers , Complete

Multi-mode vs single-mode fiber transceivers explained. Learn the key differences, distance capabilities, and applications to choose the right solution.



## Fiber Optic Patch Cables: The Complete 2026 Buyer's Guide

Confused by LC, SC, MPO, UPC, and APC? This complete fiber optic patch cable guide covers connector types, single-mode vs multimode, insertion loss specs, and how to choose the right



## Multimode vs Single Mode Fiber Patch Cords: Which

The abbreviation LB and single mode patch cords is fiber patch cords (also known as fiber jumpers), which consist of axially terminating cables to



### Is SC single-mode or multimode?

SC refers to a type of fiber optic connector and can be used for both single-mode and multimode fiber optic cables. The SC connector itself does not specify whether it is single-mode or multimode, as it is



### Fiber Optic Cable Supply , Buy Fiber Optic Products

MTP®/MPO Cables MTP & MPO Fiber Optic Connectors are Multi-Fiber connectors designed for connecting multiple fibers in a small single footprint. Our MTP &



### LC Fiber Optic Pigtail

An LC Fiber Optic Pigtail is a cable that has one end terminated with an LC connector and the other end with a bare fiber. They are used to connect fiber



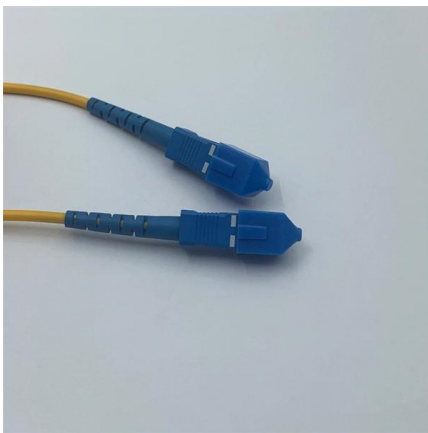
### Fiber-optic communication

An optical fiber patching cabinet. The yellow cables are single-mode fibers; the orange and blue cables are multi-mode fibers: 62.5/125 mm OM1 and 50/125 mm



## **SEL-2829 Single-Mode Fiber-Optic Transceiver/Modem**

Fiber-Optic Link-- Connect a pair of transceivers and an SEL-C809 Single-Mode Fiber-Optic Cable with ST connectors for EIA-232 communication between devices over a fiber-optic link. Create a link from



## **Single-Mode vs Multi-Mode Compatibility -- Guide, Best**

Learn how single-mode and multi-mode transceivers differ, compatibility rules, testing tips, and best practices for reliable fiber deployments.

## **The FOA Reference For Fiber Optics**

Most systems use a "transceiver" which includes both transmission and receiver in a single module. The transmitter takes an electrical input and converts it to an



## **How to Convert Multimode to Single-mode Fiber: A**

If you want to use the single mode transceiver on legacy multimode fiber cabling, MCP cable may be the most cost-effective method. However, a



## Contact Us

---

For datasheets, pricing, or custom telecom energy solutions, please visit:  
<https://koskolong.co.za>