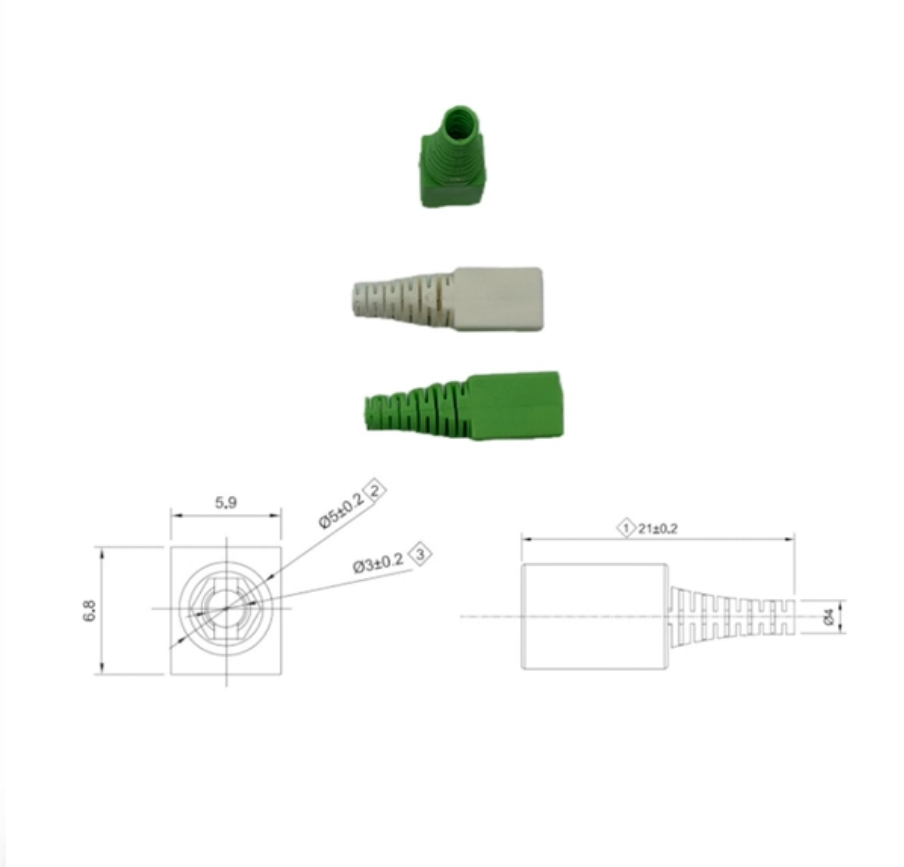




Adam Tas Corridor Energy

Somali construction site electrical distribution box model





Somali construction site electrical distribution box model



Electrical systems CAD Blocks DWG Free Download

Free, 100% Accurate CAD Drawings of Electrical systems, Installations. Browse thousands of CAD Blocks, ready for download.

Coloria's Portable Electrical Distribution Box: Reliable Power

From solar panels to switchgear, Coloria's "one-stop shop" model means you can source all your electrical and construction materials from a single partner, reducing paperwork, streamlining



CONSTRUCTION CABINETS

Electrical distribution cabinets and boxes
Labérine Énergie offers a complete range of electrical distribution cabinets. These site enclosures are simple in design and robust in construction, comply with

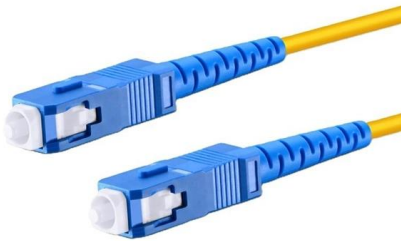
BIM objects

Download free BIM objects for electrical including electrical - distribution as Autodesk Revit families, SketchUp, Autodesk, Vectorworks or



electrical box

The GrabCAD Library offers millions of free CAD designs, CAD files, and 3D models. Join the GrabCAD Community today to gain access and download!



How to design an electrical distribution system with

LayoutFAST is the new-generation design toolset for specifiers and engineers to close electrical distribution gaps in building information modeling.



electrical cad design, electrical cad drawings, electrical layout cad

This section includes electrical layout CAD blocks, lighting symbols, panel board drawings, and complete electrical CAD design files. All CAD files are available in editable DWG format and fully





Temporary Distribution Box on Construction Site 220V

Product Description Product Description Yueqing Beigang Industrial Socket Distribution Box is an electrical distribution device that adopts a plug-in method,

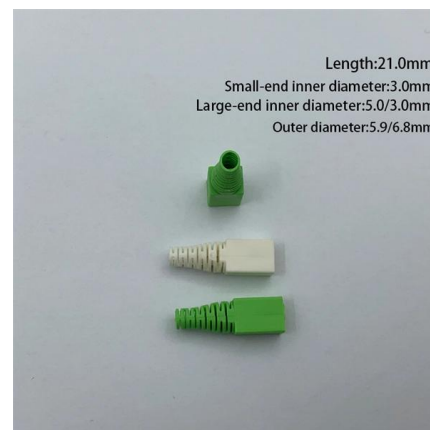


Power Distribution Boxes: 3D models

Discover all CAD files of the "Power Distribution Boxes" category from Supplier-Certified Catalogs SOLIDWORKS, Inventor, Creo, CATIA, Solid Edge, autoCAD, Revit and many more CAD software

Everything You Need to Know About Temporary Power

Portable construction boxes give you the immediate, consistent electricity you need to provide essential services at all times. Since power



Smart Distribution Box Systems for Modern Construction Sites

Enter smart distribution box systems: the unsung heroes that keep construction sites powered, safe, and aligned with the demands of 21st-century building. But what makes these



Site Electrical Distribution Panels & Equipment

We are able to build standard models and one offs for virtually any type of installation and use, these can include lighting controls, contactors, motor starters and

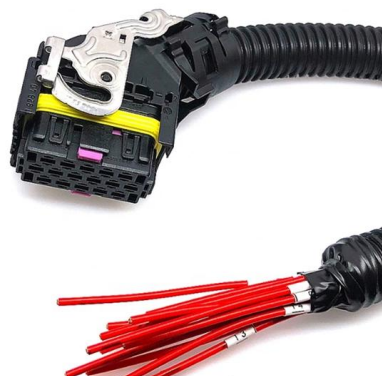


Temporary Power Distribution Panel royalty-free images

This electrical panel is prepared for installation, with cables ready for efficient power supply on the construction site. Fuse box, control panel with automatic fuses and

Construction site

PCE power distribution units are valuable helpers for construction, trade and industry. All devices are subjected to strict quality control and are designed to be extremely user-friendly.





Understanding Distribution Boxes: A Comprehensive Guide

A distribution box, also known as a power distribution box or electrical distribution box, is used to distribute electrical power safely to multiple

Construction site electrical enclosure

Find your construction site electrical enclosure easily amongst the 25 products from the leading brands (HLC, WALTHER WERKE, DIGITAL ELECTRIC,) on



Temporary Construction Site Electrical Box - DDY

Temporary Construction Site Electrical Box - Ensures reliable power distribution in harsh weather. Portable design allows easy transport and setup. Shop now!

Provision of Electrical and Power distribution works in

The United Nations Support Office for AMISOM (UNSOA) requires contractual services for the provision of electrical and power distribution works in Mogadishu, Somalia.



Electrical Distribution Boxes for Power Distribution

The Wieland distribution boxes accommodate all required components of the electrical installation as well as building automation on a project-specific basis.



Electric Panel Installation Method Statement

This document provides a method statement for installing and terminating electric panels and distribution boxes. It outlines 4 steps: 1) Pre-installation preparation



Distribution Box Guide: Types, Components & Solutions

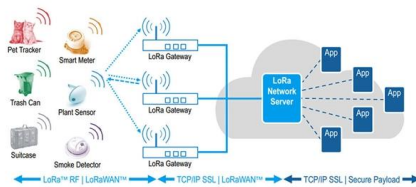
Understand distribution boxes (DB boxes) in 5 minutes. Learn about types, components, functions, and uses. Find the perfect DB box for your needs.





Construction of Transmission and Distribution Lines

A transmission substation decreases the voltage of incoming electricity, allowing it to connect from long distance high voltage transmission, to local lower voltage distribution.



Distribution Boards

Distribution boards, often referred to as electrical panels or breaker boxes, serve as the nerve center of any electrical system. Here we explore the crucial parts of a distribution board and gain insights into

Contact Us

For datasheets, pricing, or custom telecom energy solutions, please visit:
<https://koskolong.co.za>