



Adam Tas Corridor Energy

Standard Requirements for Hotel Electrical Distribution Boxes





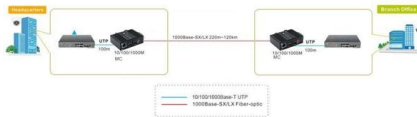
Overview

0 defines specific requirements for distribution boards intended to be operated by ordinary persons (e. The modern hotel industry is facing ever-increasing challenges and opportunities, particularly in the area of electrical installations. alfanar introduces the Hotel Room DB system that maximizes guest comfort and convenience, and provides hotel operators a. Verify, coordinate and confirm product and material dimensions for required d main switchboard. Common Power Supply & Distribution Schemes Two typical 10kV supply schemes were compared: Scheme 1 (With HV Tie): Two utility incomers, each capable of carrying 100% load, with both HV and LV bus tie breakers. Working project - detailed electrical plan for the appointed contractor, including the requirements of the technical and power equipment for the appointed supplier.



Standard Requirements for Hotel Electrical Distribution Boxes

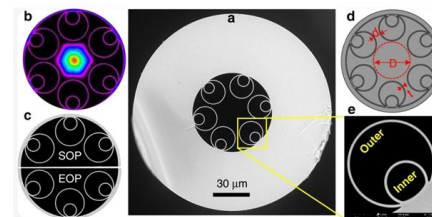
Understanding Distribution Boxes: A Comprehensive Guide



A distribution box, also known as a power distribution box or electrical distribution box, is used to distribute electrical power safely to multiple

hotel electrical wiring

Hotel Electrical Wiring: Safety Standards You Need to Know to Keep Your Business Thriving
Imagine this: a bustling hotel in a major U.S. city makes headlines--not



How to reasonably and economically design the hotel's

Power supply and distribution system design involves applying rational and appropriate technical measures to meet diverse electrical demands, ensuring

Design of electrical installations for HOTELS AND

This can be done according to the conditions of the electricity distribution company, and in some



cases at the request of the investor - according to a techno



Hotel Electrical Installation, Planning & Design , Wieland

Whether you're managing a boutique hotel or a large chain, our solutions are designed to meet your unique electrical installation requirements, making it easy to get started with custom electrical

Requirements And Specifications For Installation Of

In flammable and explosive environments, explosion-proof distribution boxes should be selected and explosion-proof treatment should be carried out.



Outdoor Electrical Distribution Box Specifications: NEC

Complete specification guide for outdoor electrical distribution boxes covering NEC Article 312 requirements, NEMA ratings, sizing calculations, and



Power Distribution Boxes Explained Simply

Learn what a power distribution box is, how it works, key components, types, and why it's vital for safe and efficient electrical systems.

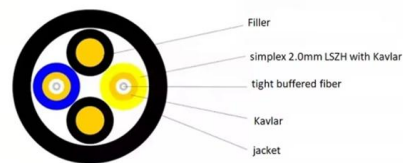


SECTION 130.5 - ELECTRICAL POWER DISTRIBUTION SYSTEMS

Electric circuits serving controlled receptacles in guest rooms shall have captive card key controls, occupant sensing controls, or automatic controls so the power is switched off no longer than 30

How to reasonably and economically design the hotel's

The power supply and distribution system is a critical component of a building's electrical system. Its design rationality directly impacts the investment,



Distribution Box Installation , Singapore

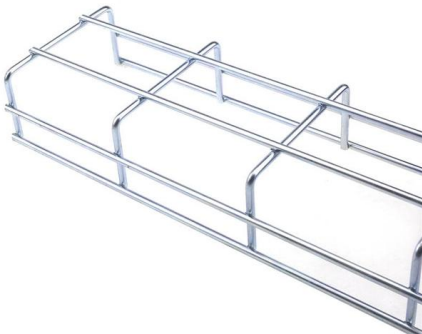
A distribution box, also known as a distribution board (DB) or fuse box, is a critical component of your electrical system. It houses circuit breakers,



- IP65/IP55 OUTDOOR CABINET
- IP54/55
- OUTDOOR ENERGY STORAGE CABINET
- OUTDOOR BATTERY CABINET

ELECTRICAL INSTALLATION OF HOTEL WITH EMERGENCY

Through meticulous planning and adherence to industry standards, the report aims to provide insights into creating a resilient electrical infrastructure that meets both current needs and future challenges.



Hotel Room DB

Hotel Room DB is designed for reliable distribution and control of electrical power specifically for hotel rooms.

Electrical solutions for hotel buildings , Hager

Discover our electrical and connected solutions for hotel guest rooms or communal areas and offer your customers safety, reliability and





Not Enough Outlets? Fix Your Room Electrical Layout

Creating an effective electrical layout of a room is crucial for maximizing functionality and ensuring safety. Whether you're designing a new space or renovating an existing one, understanding

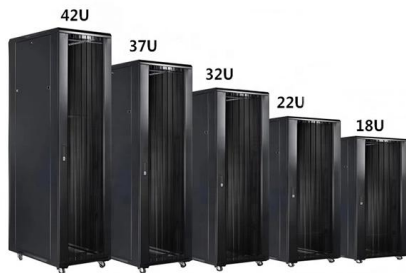
Installation requirements for distribution boxes

Distribution boxes shall be made of non-combustible materials; open distribution boards may be installed in production places and offices with low electric shock risk; enclosed cabinets shall



electrical systems

Comply with applicable standards for design of electrical circuits and equipment to automatically supply, distribute and control electricity for lighting and power when normal incoming power is interrupted.



Safety requirements of distribution box

The distribution box has the characteristics of small size, simple installation, special technical performance, fixed location, unique configuration function, not limited by



IEC 61439-3 Ed. 2.0 b:2024--Operation of Distribution

IEC 61439-3:2024 edition 2.0 defines specific requirements for distribution boards intended to be operated by ordinary persons (e.g., switching



Essential Considerations for Hotel Electrical System Design

Effective power planning in hotel electrical system design is crucial for ensuring reliable, efficient, and safe operations. By considering load analysis, energy

Product Photography



The electrical project for a hotel

The electrical project for a hotel Many projects are involved in the construction of a hotel. And within the large project there is another more specific and technical



Design of electrical installations for HOTELS AND

Electrical design solutions for the tourism industry in all phases of the investment process: Pre-design and consultations - assessment of the electrical parameters



Electrical Rooms

These standards are not intended to restrict or replace professional judgment. .2 Electrical closets which are small auxiliary spaces used to house limited electrical equipment may be required to follow some

Safety First Critical Electrical Design Elements for

This blog will explore the critical elements of electrical design for modern hotels, focusing on ensuring electrical safety, optimizing energy use, and enhancing the



Marriott Electrical Design Standards , PDF , Lighting

The document outlines the electrical systems design standards for Marriott Hotels, detailing minimum requirements, design criteria, and specific guidelines for power



Microsoft Word

GENERAL Electrical installations must comply with the current electricity standards in the host country and canton (Switzerland and Geneva) and must comply with the applicable requirements, rules and



Hotel Distribution Box Factory , Electrical Systems for Hospitality

Behind every memorable hotel stay--whether it's the warm glow of lobby chandeliers, the steady hum of a well-functioning elevator, or the reassuring flicker of a nightlight in the hallway--lies



Design requirements and standards for low voltage

You must make safety your top priority when working with low voltage distribution boxes. Design requirements help you follow important standards like





Contact Us

For datasheets, pricing, or custom telecom energy solutions, please visit:
<https://koskolong.co.za>