



Adam Tas Corridor Energy

Stepper High Beam Control Module





Stepper High Beam Control Module



Stepper Motor Drivers , Robodo

Experience exceptional precision and control with our wide selection of stepper motor drivers, designed to support creators, engineers, and automation

Arduino and Stepper Motor Configurations

Home / Learn / Arduino and Stepper Motor Configurations Arduino and Stepper Motor Configurations Learn how to control a variety of stepper



Active High Beam

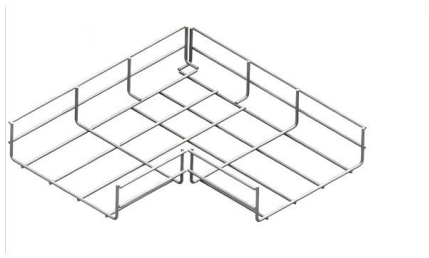
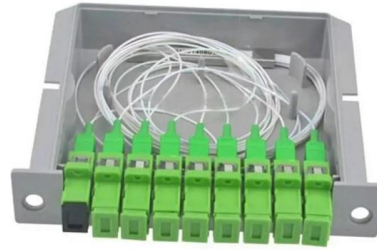
Kann mir jemand sagen, welches Steuergerät für High Activ Beam zuständig ist und was darüber noch so gesteuert/geregelt wird? Seit wir den V90CC MY2020 haben sind wir unzufrieden

Intelligent headlight control

High beam control improves driver visibility at night by automatically controlling the on/off function of the vehicle high beams through traffic



detection. Using video data, the range of the low beam or high

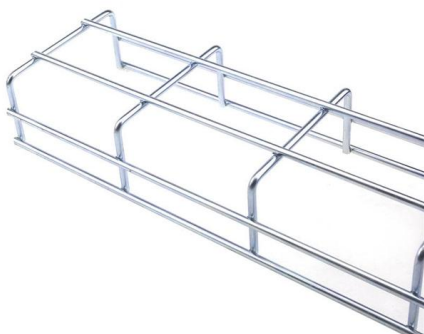


Adaptive Headlight Problem diagnosing question

From what you're describing, it sounds like your driver's side stepper motor control module has failed, most likely due to moisture intrusion. It's pretty common.

B1634 Chrysler Code

Common causes include a faulty left high beam bulb, damaged wiring, a malfunctioning high beam relay, or a defective body control module (BCM). How can I diagnose the B1634 code on my Chrysler?



BMW adaptive headlights (AHL) System Functions

From the various input data received, the AHL control unit calculates the vehicle inclination (along the longitudinal axis, relative to the road surface). Using the stepper motors for adjusting the vertical aim



Electronic control units in LED headlamps , HELLA

In vehicles with high-beam assistant, control units linked within the system control the activation of individual LEDs for each headlamp according to

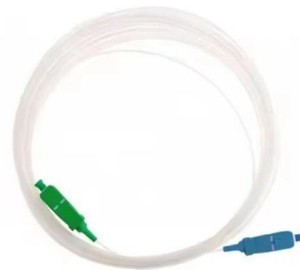


Intelligent high beam control system

The connection method of the high beam control system of this application to control the car's high beam does not affect the driver's control of the high beam through the original

Stepper Motor Control with L293D Motor Driver IC and

Arduino L293D Motor Driver Shield Control DC, Servo, and Stepper Motors DRV8825 Driver Module for Stepper Motor with Arduino Stepper Motors



The development of a sensor-based automatic headlight beam control

The development of an automatic headlight beam control system is a significant leap in automotive safety and efficiency. This system aims to automatically regulate headlight beams,



DRV8825 High Current Stepper Motor Driver Module

Description The DRV8825 High Current Stepper Motor Driver Module can drive one bipolar stepper motor of up to 2.2A. PACKAGE INCLUDES:



Stepper Motors Assist Adaptive Headlights

By offloading the mundane tasks of adjusting the stepper motors in response to vehicle tilt, an intelligent motor controller can accept high-level

Control Stepper Motor with A4988 Driver Module & Arduino

Learn about A4988 Stepper Motor Driver along with Pinout, Wiring, Arduino Code for Microstepping, Controlling Speed & Direction of NEMA 17





DRM047, LIN-bus HID Lamp Levelling Stepper Motor Control Using

1.1 Overview This reference design describes the development of a LIN based High Intensity Discharge (HID) headlamp levelling system, which controls the stepper motors in the lamp module to

Control Stepper Motor with DRV8825 Driver Module

That's where stepper motor drivers come in! And one of the most widely used and beginner-friendly options is the DRV8825 stepper motor driver.



B2580 GMC Code Meaning, Causes, Symptoms & Tech Notes

Common Causes of B2580 GMC Faulty high beam control switch. Damaged wiring harness or connectors. Defective headlamp control module. Malfunctioning relay. Corrosion or poor electrical

Tutorial: Control Stepper Motor using TB6600 Driver and

In this tutorial, you will learn how to control a stepper motor with the TB6600 microstepping driver and Arduino microprocessor board. This



UrbanBeam 40m-6m Yagi Antenna details

The UrbanBeam Yagi is powered using stepper motors, located in an element housing unit (EHU), which in-turn is connected to an electronic controller via



FIREbeam Xtra Intelligent Beam Detector , Hochiki

Hochiki FIREbeam Xtra reflective beam smoke detector with 160m range, EN54-12 certified, self-aligning, and ideal for large open spaces and challenging



BMW 7 Series

The headlight driver module controls and monitors the stepper motors for the adaptive headlights and the headlight beam throw adjustment system of the





Stepper Motors and Arduino - The Ultimate Guide

In this tutorial we will learn everything we need to know about controlling stepper motors with Arduino and the A4988, DRV8825 and TMC2208.



Control Stepper Motor with DRV8825 Driver Module and

Using only two pins of the ESP8266 and DRV8825 driver module, we can control the speed of the rotation as well as the direction of rotation of a stepper motor. We

How to flexibly configure an LED driver for automotive headlights

Electronic technology has advanced so that an electronic control unit (ECU) is required to control the functions of full LED automotive headlights. An ECU consists of mainly LED drivers for headlight



Stepper Controller Module

Important User Information
European Communities (EC) Directive
Compliance Overview
Local Product Support
Operating Modes
Diagnostic Mode
Chapter Objectives
Chapter Objectives
System Start Up
Command Fixed Speed Operation
Programming Command+ commands.
Home to Limit Switch
Home to Proximity Limit Switch and Home



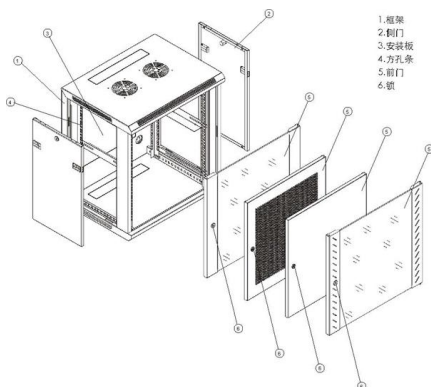
Limit Switch Home to Proximity Limit Switch and Marker Data File Structures Quadrature Encoder Input Use of Direct Inputs Moves Module Status Inputs Chapter Objectives Converter Example Specifications Industry Standards System Limitations Discrete Outputs Environmental Operating Conditions Feedback Circuitry Program Storage Requirements COMMAND INPUT WORDS 2 and 3 Because of the variety of uses for the products described in this publication, those responsible for the application and use of this control equipment must satisfy themselves that all necessary steps have been taken to assure that each application and use meets all performance and safety requirements, including any applicable laws, regulations, cod See more on literature.rockwellautomation cebi

Automotive Actuators , CEBI

Our portfolio also includes a wide offering of motor technologies and controls like rotary, linear and stepper types. Light shields are electrically-actuated shuttering

Control a stepper motor with L298N motor driver and

In this tutorial you will learn how to control a stepper motor with the L298N motor driver and Arduino. Wiring diagram and code included!



TB6560 Stepper Motor Driver with Arduino Tutorial

If you want to control larger stepper motors or need a higher resolution, I recommend going with the TB6600. Wiring - Connecting TB6560 to



B1638 Dodge Code Meaning, Causes, Symptoms & Tech Notes

The B1638 diagnostic trouble code (DTC) for Dodge vehicles indicates a problem with the right high beam control circuit being too high. This code is typically triggered when the Powertrain Control



Contact Us

For datasheets, pricing, or custom telecom energy solutions, please visit:
<https://koskolong.co.za>