



Adam Tas Corridor Energy

Temporary power distribution box configuration requirements





Temporary power distribution box configuration requirements

Typical Temporary Power Distribution For Live



Motion Laboratories offers portable electronic fabrication and assembly including Powersafe Connectors, Phase 3 Connectors and Portable Power Systems. For

what is a temporary power distribution box?

A temporary power distribution box is a portable device designed to distribute electrical power from a single source to multiple outlets. These boxes



- TELECOM CABINET
- BRAND NEW ORIGINAL
- HIGH-EFFICIENCY

Expert Guide: Select the Right Temporary Power Distribution Box

The right distribution box that matches your power requirements, durability needs, and weather resistance will give optimal performance for specific applications. Note that successful power



Temporary Power Construction Site Guide: Industrial Plug Sockets,

Discover how to supply temporary power safely on construction sites using E-abel distribution



Temporary Power and Lighting Systems

Hubbell's Spider box steps up to this challenge by offering advanced electrical and safety features. The Spider II box incorporates the most advanced ground fault module technology available in the



Expert Guide: Selecting Temporary Power Distribution Boxes

Numbers on a spec sheet translate directly into how a temporary power distribution box behaves on site. Understanding what these specifications mean helps separate equipment that will

Expert Guide: Selecting Temporary Power Distribution Boxes

Industrial sites demand electrical systems that perform under pressure. Temporary power distribution boxes handle that role, routing electricity where it needs to go while keeping



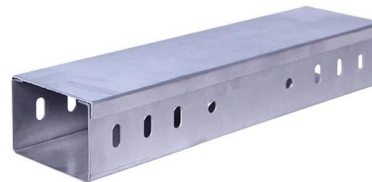
Temporary Power Distribution Boxes for Electrical

To make full use of 40 kVA, both a 40 kVA and a 20 kVA installation distributor is required. Routing and symmetrical load distribution to both installation distributors



Why You Need a Spider Box on Your Next Project

Spider boxes are intended to distribute power from a single source to multiple outlets, making them a convenient and adaptable solution for short-term



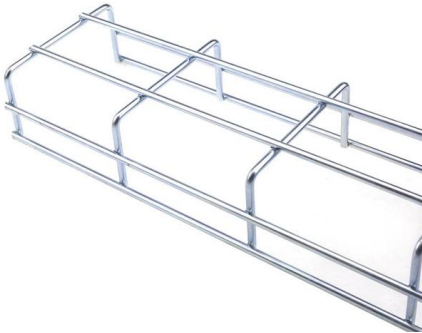
What are the requirements for the temporary use of distribution box

Because the construction distribution box is mainly used to facilitate the handling of power consumption, power failure, power transmission and other effects, its accurate placement and configuration has

Electrical Distro Boxes for Reliable Temporary Power

In this guide, we'll break down how electrical distro boxes work, which specs actually matter, and how to choose the right configuration for your application.





Portable Power Distribution Panels: Everything You

What Is a Portable Power Distribution Panel? A portable power distribution panel, also known as a temporary power distribution box or portable power distribution

Electrical Power Distribution Boxes for Temporary Event

Conclusion Power distribution boxes are an integral part of any temporary event setup, ensuring that power is delivered safely and efficiently to

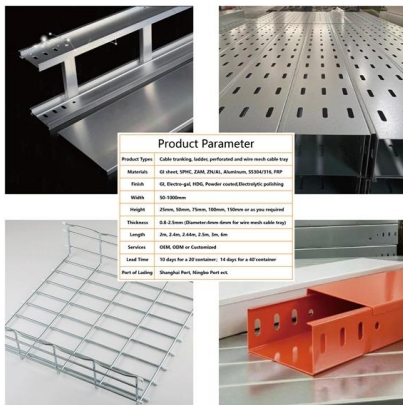


The Ultimate Guide to Temporary Power Distribution Boxes

Learn all about temporary power distribution boxes, their applications, advantages, and how to choose the right one for your needs.

How to Get Temporary Power for Your Construction Site

Temporary power is a short-term or nonpermanent power structure. It's a safe and reliable electricity supply for tools, lights and facilities for the duration of a

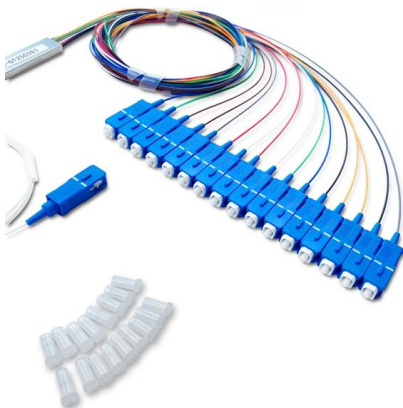


Temporary Power Safety Solutions

One of the more common violations cited by OSHA is the improper use of conventional outlet boxes for temporary power applications. It is NOT acceptable

Does BS 7671 apply to temporary power distribution?

Now, when it comes to electrical installations and power distribution, we know that it's not always immediately clear how and when specific regulations apply. A notable example is with one of the



Temporary Power Safety

However, temporary power is essential to construction worksites and poses a great risk to workers. Follow these steps to ensure proper safety procedures are met



Temporary Power Safety Solutions

Temporary Power Safety Solutions Temporary Power Distribution While the requirements for safely distributing power at construction sites, street fairs,



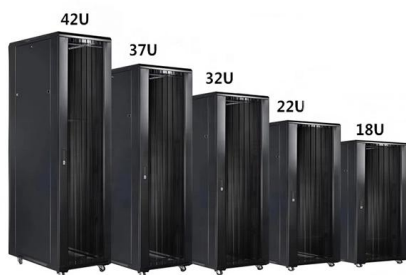
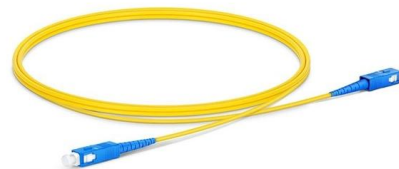
WorkSite Lighting , 3 Phase Power Distribution Box , 40

The Worksite Lighting Portable Power Distribution Unit (PDU) is a durable and reliable 3-phase portable power distribution box, perfect for managing temporary



Temporary Power Systems - an update

The IET's Guide to Temporary Power Systems is undergoing a long-awaited update. Much has changed since the first edition in 2012, not just in respect of the British standards BS 7671 and BS 7909, but



Temporary electrical wiring for construction sites

work requires electrical power for many purposes. However, exposure to weather, frequent relocation, rough use and other conditions not normally encountered with conventional wiring systems



Contact Us

For datasheets, pricing, or custom telecom energy solutions, please visit:
<https://koskolong.co.za>