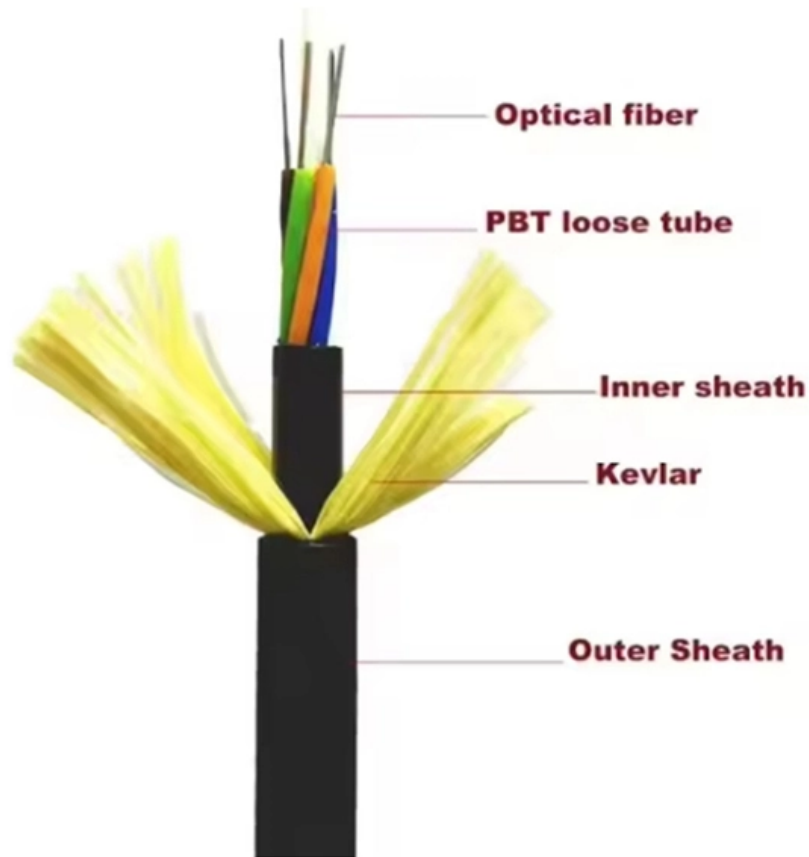




The distribution box is not installed properly





Overview

Be sure the clasp is not closed on insulation and that the conductive wires are installed in the proper opening on the DIN terminals and breaker. Whether in a home or an industrial facility, this box keeps your electrical setup organized, functional, and efficient. Let's see what factors need to be taken care of when choosing the installation place. Inspect the appearance of the distribution box intuitively, check if there are any signs of damage, corrosion, or water ingress, observe the status of the internal component indicators, and pay attention to any unusual sounds or odors.



The distribution box is not installed properly



Distribution box

Yet the distribution box is a highly complex component that not only ensures safe power distribution, but is also responsible for protection in an emergency. In this article, you will learn everything you need

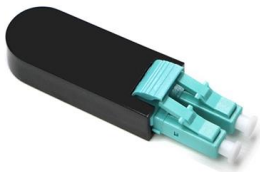
How to install solar panel distribution box , NenPower

HOW DO I KNOW IF MY SOLAR PANEL DISTRIBUTION BOX IS WORKING PROPERLY?
Determining whether a solar panel distribution box is



Fix: windows subsystem for Linux has no installed

Reason: No Linux Distribution Installed Solution 1: Install Linux Distribution Solution 2: Upgrade WSL Environment for Linux (WSL 2) Let's start with the first reason.



Distmgr.log The Distribution Point is not installed or

Hello, all! I have 3 DPs that are repeatedly showing up in my primary site server's



dismgr.log. The distribution point
["Display=server.domain "]MSWNET:



7 Signs Your Septic Distribution Box Is Failing & How to Fix

The Hidden Linchpin: How Your Septic System's Distribution Box Protects Your Home (and Wallet)
For millions of homeowners, particularly in rural and suburban areas, a properly



How to Install a Distribution Box--A Comprehensive

Whether you are an electrical contractor or a construction brigade, knowing how to properly and safely install distribution boxes is the basis of



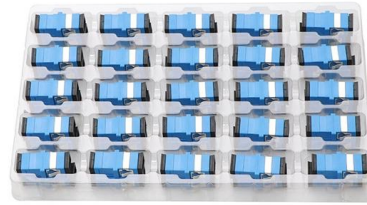
How to Troubleshoot a Newly Installed Electrical Box

If you just installed your own new electrical box, and things aren't working properly, it's not fun. The good news is that most issues are easy to



Septic D Box FAQs

Septic system D box FAQs: Frequently-asked questions and answers about septic system distribution boxes or D-boxes: what is a D-box, where is the D-Box, why do we need a D-box, and how do I fix or

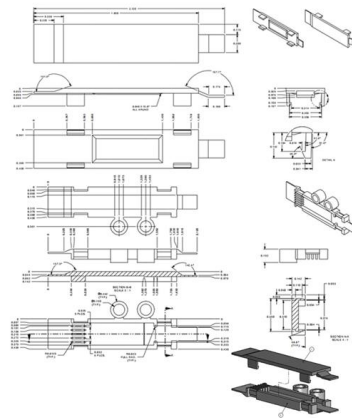


Essential Insights and Tips for Septic System Distribution Boxes

Introduction to Septic System Distribution Boxes
Septic systems are essential for managing wastewater in areas not connected to municipal sewer systems. At the heart of these

Kaggle

```
" review = review.split()n", " review = [lemmatizer.lemmatize(word) for word in review if not word in stopwords.words('english')]n", " review = ' '.join(review)n", " corpus.append(review)" ] }, { "cell_type":
```



How to Install a Cable Distribution Box Safely and

This article provides a detailed overview of the entire process of installing a distribution box, from pre-installation preparation to post-installation



Requirements And Specifications For Installation Of

The installation requirements and specifications of Distribution box involve many aspects, including site selection, fixing method, wiring specifications



Septic Tank Distribution: All You Need to Know about

Professional installers have the knowledge and expertise to properly position and connect the distribution boxes, ensuring optimal functionality.

Redistributable Package Not Installed Successfully

Fix Redistributable Package Not Installed Successfully Get the Latest Windows Updates Check for any pending Windows Updates. If you have updates waiting,



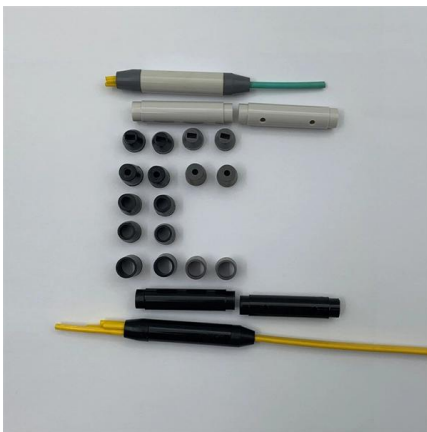
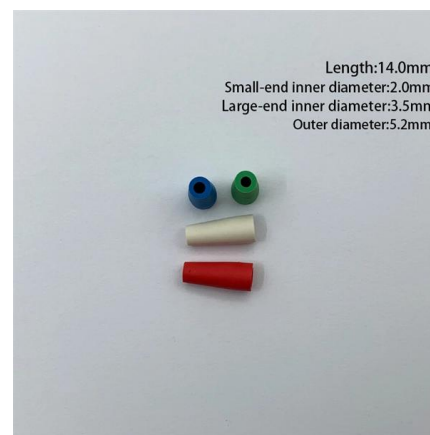


Essential Steps for Effective Septic Distribution Box Installation

Learn how to install a septic distribution box with essential steps, tips, and maintenance recommendations for long-lasting efficiency.

SQL Server replication error

There is more, sometimes, I am able to set up the PublicationName4, and a failure occurs when PublicationName4_XX My initial thought was about space limitations, however I am not even



Distribution Box Installation: A Complete Guide to Safe

In this comprehensive guide, we'll cover everything you need to know about distribution box installation, from the basics to the step-by-step installation

How to solve the problem of distribution box?

If you're not sure, it's best to contact a professional electrician for repairs. Preventive measures: Once the fault is resolved, regular inspection and maintenance of the distribution box is recommended to



How to solve and prevent the failure of the distribution

During the construction and installation process, the methods to solve and prevent the failure of the distribution box include: Quality inspection: Make sure the



The Complete Guide to Septic Tank Distribution Boxes ,

The Complete Guide to Septic Tank Distribution Boxes Septic tank distribution boxes, also known as D-boxes, are a crucial component of any septic



Server is Distributor, but Can't set database for replication

My opinion is that nothing can be using it because it's not installed properly anyway. But don't take a random guy on the internet's opinion if you need 100% confidence.





VirtualBox kernel driven not installed (missing gcc-12)

Indeed, in our log, we have: /bin/sh: 1: gcc-12: not found For whatever reason, the system does not have the gcc-12 compiler, needed to build the VirtualBox kernel modules. Just so you know,



Step-by-Step Guide: Testing a Septic Tank Distribution Box

A septic system's distribution box is a key component that ensures wastewater is evenly spread across the drain field. If it's not working properly, you could face serious issues like backups or flooding.

Is Your Fiber Distribution Box Installed Correctly? Here's

If the box is not installed properly, you might face issues like high signal loss, unstable connections, or water damage. Let's go step-by-step



Power Distribution Box

Be sure that the power distribution box has sufficient power provided to it. Long cable runs can result in a voltage drop, which can be solved by using a heavy gauge wire. Check wires/DIN terminal clasps



The Distributor has not been installed correctly. Could not enable

The Distributor has not been installed correctly. Could not enable database for publishing.", which indicates that source is not correctly configured to allow for ongoing replication



Comprehensive Guide to Septic Tank Distribution Box Issues

Septic tank distribution boxes are often overlooked components of a septic system, yet they are vital for ensuring that wastewater is properly managed. When problems arise within these

How to Install SCCM Distribution Point , ConfigMgr DP

In this article, I will show you how to set up or install SCCM distribution point. We will look at ConfigMgr DP Installation and Configuration





DirectX not installed properly

Standard Disclaimer: There are links to non-Microsoft websites. The pages appear to be providing accurate, safe information. Watch out for ads on the sites that may advertise products frequently

Contact Us

For datasheets, pricing, or custom telecom energy solutions, please visit:
<https://koskolong.co.za>