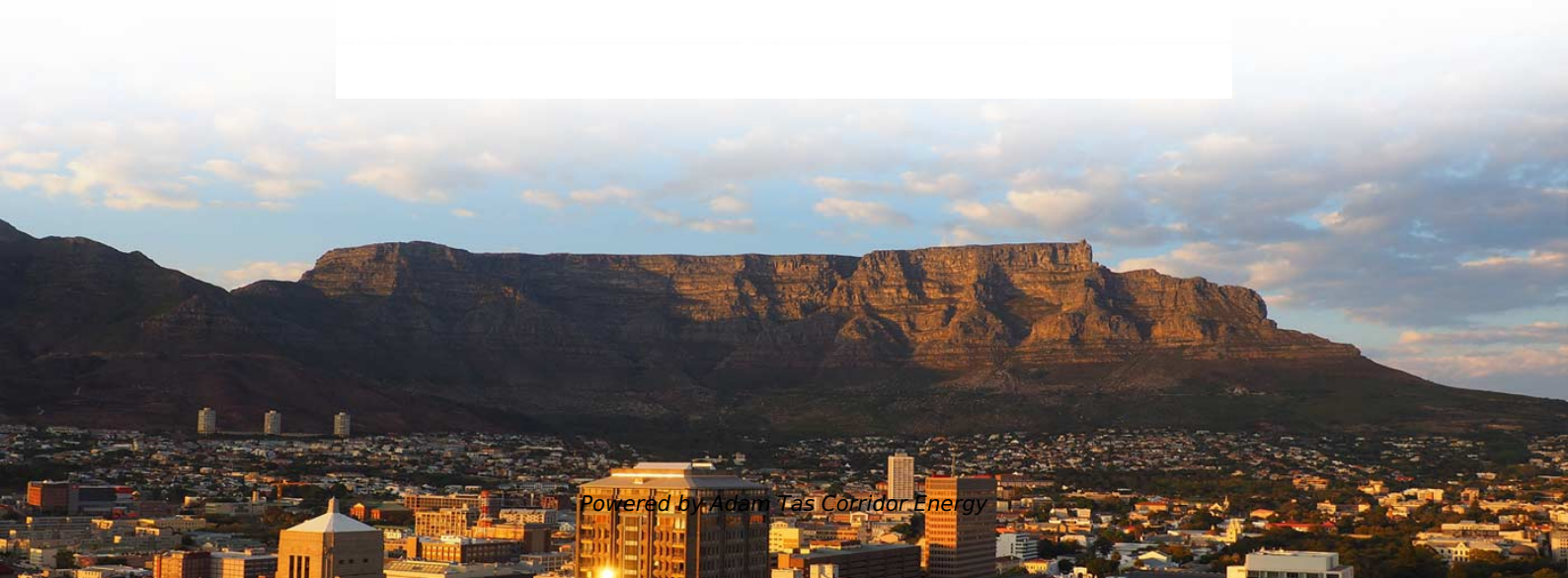




**Adam Tas Corridor Energy**

# **The extinction ratio of polarization-maintaining fiber cannot be improved**





## The extinction ratio of polarization-maintaining fiber cannot be imp

---



### An article to understand the principle of polarization-maintaining

An article to understand the principle of polarization-maintaining fiber, fast and slow axes, polarization-maintaining beat length, and extinction ratio Time:Jun 16,2022 Views:2906 Source:Shenzhen

### Impact of mode instability on polarization extinction ratio

Abstract The influence of mode instability (MI) on polarization extinction ratio (PER) has been investigated in a 2 kW level polarization-maintained (PM) fiber laser system with backward



### Polarization-maintaining Fibers - Buying Guide & Suppliers

This polarization-maintaining fibers buying guide provides technical background, comparison of major types, selection criteria, and an overview of suppliers.

### Compact and broadband polarization splitter-rotator on

Our device shows efficient polarization extinction at the telecom C-band, providing a polarization



extinction ratio (PER) of 26.6 dB and 12.2 dB for



### **On-Chip Light Polarization Management by Mapping the Polarization**

The polarization state and the polarization extinction ratio (PER) of the transmitted light can be dynamically tuned by introducing some phase difference between the MZI arms electrically.

### **Definition, meaning, and measurement of the polarization extinction**

We clarify the definition of the polarization extinction ratio--also called polarization cross talk--of fiber-based devices. Its strong wavelength dependence, even for simple devices such as a single-fiber



### **Why Is the Extinction Ratio of Polarization-Maintaining Fiber So**

This article analyzes the problem from the perspectives of polarization principles, testing methods, environmental influences, and practical engineering experience.



## Extinction Ratio of Light Output by Polarization Maintaining Fiber

One way to improve the alignment between the source and fiber is to rotate the polarization angle of the source around the optical axis until the temperature-dependent fluctuations



## Polarization extinction ratio of the polarization crosstalk caused by

A study of the orthogonal polarization modes crosstalk changes in the point of different mechanical actions (pressure force) in the polarization-maintaining fiber with straining elliptical

## Polarization Extinction Ratio (PER) , Fibercore

If you subject the fiber to high mechanical stress and small-diameter bends, then it is possible to disrupt the internal stress (which generates the birefringence) and this reduces the extinction-ratio significantly.



## Polarization extinction ratio promotion in high-power linearly

In this article, we have updated the previously established thermal-induced polarization coupling model and conducted detailed calculations on the PER distribution within the gain fiber of



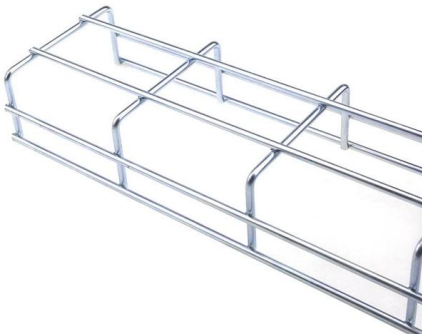
### Accurate alignment

The polarization-extinction ratio can be degraded by any stresses or microbends in the connectors, or by external optical components that do not maintain polarization properly.



### Compact and high extinction ratio polarization beam splitter using

A compact and high extinction ratio polarization beam splitter using subwavelength grating (SWG) couplers is proposed and characterized, where the SWG couplers are located



### Polarization in Fiber Optics

Polarization in optical fiber has been extensively studied and a variety of methods are available to either minimize or exploit the phenomenon. In this tutorial, basic





## What is PM Fiber? Polarization Maintaining Fiber Explained

Learn what Polarization Maintaining Fiber (PMF) is, how it works, and its applications. Explore fast/slow axis, beat length, extinction ratio, and types of

## Impact of mode instability on polarization extinction ratio

The influence of mode instability (MI) on polarization extinction ratio (PER) has been investigated in a 2 kW level polarization-maintained (PM) fiber laser system with backward pumping

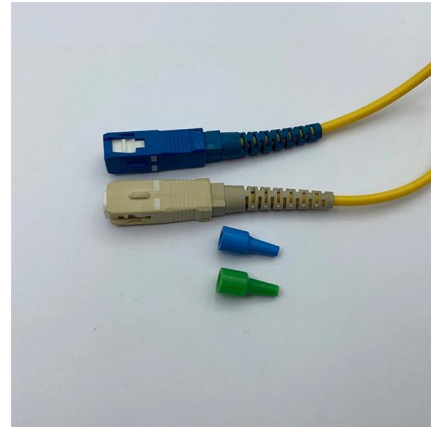


## Definition, meaning, and measurement of the polarization extinction

We clarify the definition of the polarization extinction ratio--also called polarization cross talk--of fiber-based devices. Its strong wavelength dependence, even for simple devices such as

## Why Should Polarization Maintaining Filter Coupler Feature High

The polarization maintaining filter coupler features low excess insertion loss, low back reflection, and high extinction ratio. In this post, we will discuss one of the features of polarization



## An Overview of Polarization Extinction Ratio Measurement Methods

In PM fiber, light polarized along the slow axis and light polarized along the fast axis travel at different speeds. If light launched into a PM fiber is not fully aligned to one of these axes, or is not fully



## Experimental study on the polarization extinction ratio degradation in

Hybrid fiber amplifier chains employing polarization-maintaining (PM)/non-polarization-maintaining (non-PM) Yb-doped fibers (YDF) were proposed and the polarization extinction ratio



## Microsoft Word

For polarised light incident on a polarising filter and analyser, the polarisation extinction ratio (PER) is defined as the ratio of power transmitted by the device when the polarisation axes are aligned



### Signal Propagation Over Polarization-Maintaining Fibers: Problem and

Polarization-maintaining (PM) fibers are able to preserve the state of polarization (SOP) of a signal in the fiber reference frame. The SOP follows one of the axes of the fiber defined by the mechanical



### Polarization-Maintaining Fiber Optic Technology

By maintaining a high polarization extinction ratio (PER) and reducing polarization-dependent loss and polarization mode dispersion, PM fibers mitigate signal



### Characterizing polarization-maintaining fibers

Due to the termination of the fiber connector, the polarization state at the cable exit might generally be slightly elliptical. The preservation of linear SOPs in





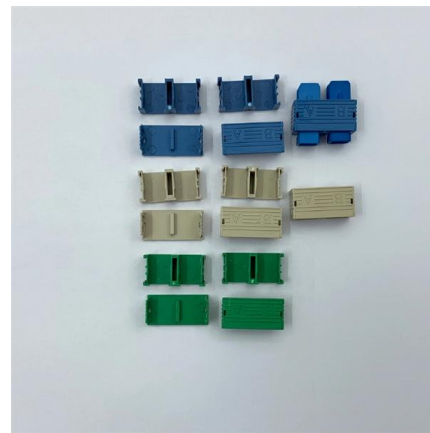
## APN0005

The following method outlines how to measure the extinction ratio of a spool of polarization maintaining fiber, without any connectors on the ends of the spool.



### Polarization-Maintaining Single Mode Optical Fiber

Thorlabs offers both PANDA and Bow-Tie Single Mode Polarization-Maintaining (PM) fiber. These two fibers are named based on the stress rods used. Stress rods run



## Contact Us

---

For datasheets, pricing, or custom telecom energy solutions, please visit:  
<https://koskolong.co.za>