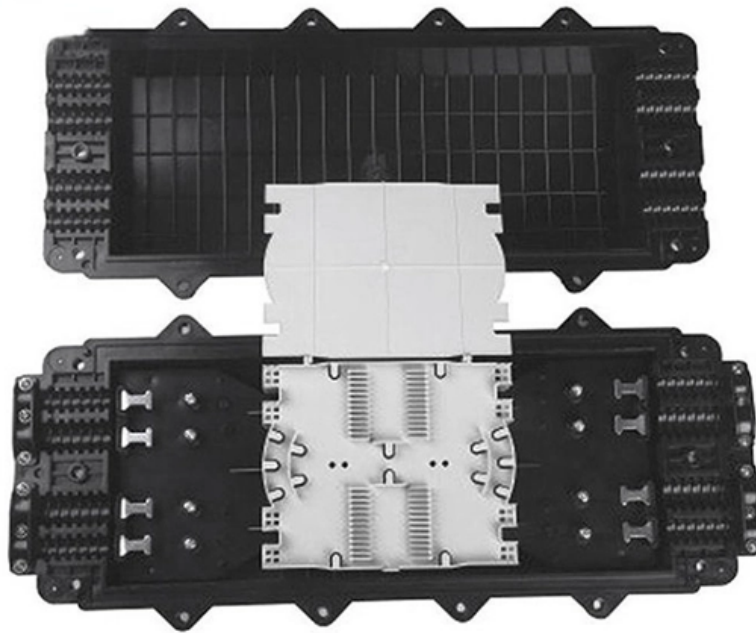




Adam Tas Corridor Energy

The function of cleaning cloth for fusion splicing optical cables





Overview

Microfiber cleaning cloths serve as an invaluable tool in any comprehensive fibre optic cleaning kit. Their unique structure allows for effective removal of dust, fingerprints, and smudges from delicate optical surfaces without scratching or damaging the connectors. Because high heat is generated by arcing electrodes during the fusion splicing process, technicians should always follow the recommended processes supplied with the fusion splicing equipment. With the patchcord removed from the bulkhead the backplane connector is cleaned effectively with Coventry 48040 Fiber Optic Cleaning Swab. It provides an expert-curated supplier directory, buyer-focused technical background information, and structured selection criteria to support professional procurement decisions. A cleaning kit plays a vital role in maintaining fibre optic systems, especially in environments such as data centres where dust and lint accumulation can lead to performance degradation. Regularly using appropriate tools and materials, like isopropyl alcohol and specially designed swabs, prevents.



The function of cleaning cloth for fusion splicing optical cables



Fusion Splicer: The Ultimate Guide to Fibre Optic Splicing

Fusion splicing is a critical process in fibre optic technology, the backbone of modern communication networks. By using a fusion splicer, fibre optic professionals can achieve ultra-fast, high-bandwidth

How To Master Fusion Splicer For Fiber Optic Cables?

Fiber-optic cables are the backbone of modern communication systems, enabling rapid data transfer across vast distances. The efficiency and



Daily Cleaning Process Of Optical Fiber Fusion Splicer

Usually, the optical fiber fusion splicer observes the optical fiber through the imaging of two CCDs arranged at a right angle, and the front of the



How to Prepare Fibre Optic Cables for Fusion Splicing , CMW Ltd

Proper preparation is the key to successful fusion splicing. You ensure strong, low-loss connections



by stripping, cleaning, cleaving, and protecting fibres correctly.



Fiber Optic Cleaning Best Practices

When cleaning the alignment grooves (or v-grooves) on a fusion splicer many technicians will use an alcohol presaturated wipe to remove the contamination. If the contamination is not removed, it can

Optical Fiber Splicing 01 - From Preparation To Cleaning

Thorough cleaning between steps prevents debris from interfering with tight core alignment and low-loss fusion. Pro tip: Always leave enough strength members to



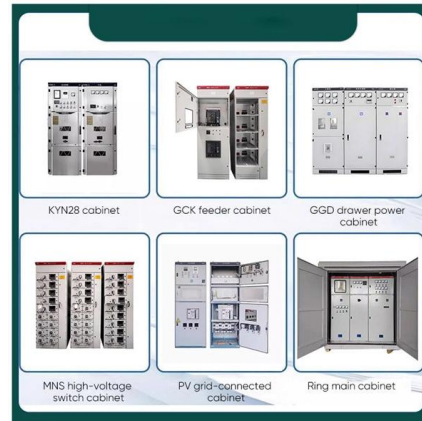
Cleaving of Fibers - tools, mechanical precision

Why is proper fiber cleaving important? A clean, flat fiber end face is essential for low-loss fiber splicing, for efficient connectorization, and for properly launching



Care of Optical Fibers During Splice Preparation

After removing the filling compound, dry the fibers with a lint-free cloth to remove any residue and prevent unnecessary exposure of the fiber to the cleaning agents. Corning Optical Communications'



Fibre Optic Fusion Splicing: Back to Basics 101

A good fibre optic splicing machine such as Swift K33A, normally has a cleave tool. Stage 2 - Fusion Splicing The fibre optic cables are then placed into the fusion splicer to perform the fusion

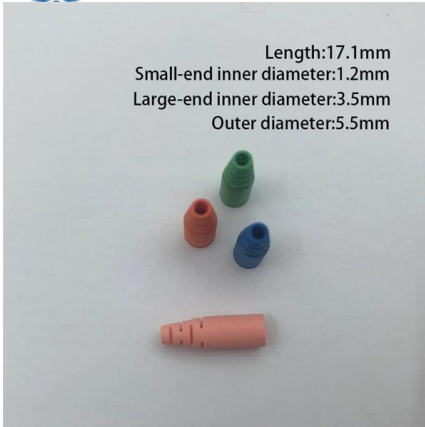
Skilled cleaning leads to first-rate fiber splices , Cabling

For the best results, opt for an optical-grade fabric wipe engineered for cleaning fiber. Fabric wipes are highly absorbent to effectively wick the contamination away from



Preparation / Fiber Optic Fusion Splicing / Why Clean

Cleaning fiber optic splices is essential to network function and reliability. To ensure a robust and long-term reliable fiber optic network, it is



Fiber Fusion Splicer Maintenance

Cleaning: The cleaning of the optical system, including the cleaning of the objective lens, CCD, reflectors, LEDs, etc., can solve the problems such as blurred fiber image, dark background, slow core

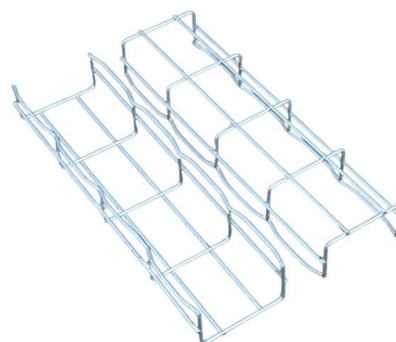


Steps and precautions for using a fusion splicer

For successful fiber optic fusion splicing, prepare tools like a fiber fusion splicer, cleaver, wire stripper, 99% alcohol, cotton, and heat shrink tubing. Strip and clean the fiber, then cut it with a

Precautions and daily maintenance of optical fiber fusion

Frequently noticed problems during operation 1. Clean, the inside and outside of the fiber fusion splicer, the fiber itself, the important parts are the V-groove, fiber





The FOA Reference For Fiber Optics

We recommend you always keep dust caps on connectors, bulkhead splices, patch panels or anything else that is going to have a connection made with it. Not only

Daily maintenance of Optical Fiber Fusion Splicer

A. Cleaning the whole splicing machine As a socially responsible company that makes regular visits to its customers, Splicemarket's Engineers



- ✓ 50KW/100KWH
- ✓ HIGHER POWER OUTPUT IN OFF-GRID MODE
- ✓ CONVENIENT OPERATION & MAINTENANCE
- ✓ PRE-WIRED

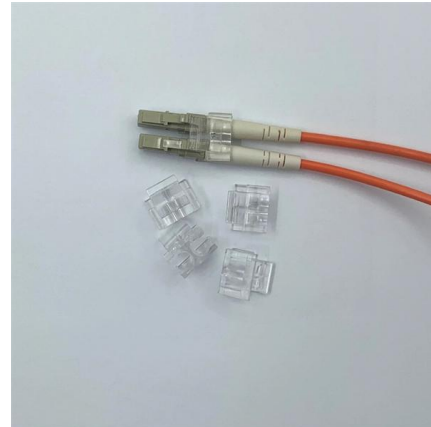


Maintaining Your Fiber Optic Fusion Splicer

3. Clean the fusion chamber lenses. Within the fusion splicing chamber, there are lenses that can be found just below the top and bottom electrodes. To clean

Maintaining Your Fiber Optic Fusion Splicer

Maintaining and proper upkeep of your fusion splicer can effectively prolong the life of your splicer and ensure reliable connections.



What is Fiber Fusion Splicing? , FS Community

This article describes the principle, steps, precautions, as well as advantages and disadvantages of fusion splicing. Based on the understanding of fusion splicing, this article allows

Skilled Cleaning Leads to Fiber Optic Splices , MicroCare

Cleaning fiber optic splices is essentially to network function and reliability. To ensure a robust and long-term reliable fiber optic network, it is important that the fiber is cleaned during fusion splicing.



Video: Cleaning Fiber for Fusion Splicing with Sticklers(TM) Products

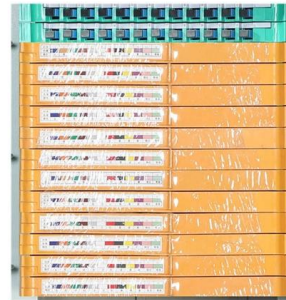
View all our MicroCare products here. Transcript: Here we will look at the importance of cleaning in preparation for fusion splicing, and explain the best process to follow this. Particles that





24 Core Fiber Fusion Splicing Sequence Diagram_NEWS_OPTICAL FIBER CABLE

Abstract The diagram of 24 core fiber fusion splicing sequence is an essential tool for engineers in the telecommunications industry. This article provides a detailed explanation of the sequence, covering

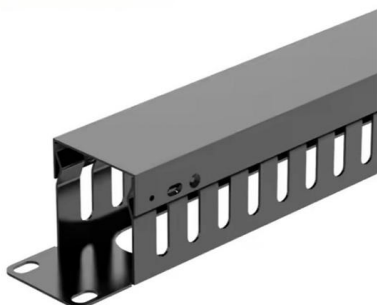


Optical Fiber Fusion Splicing

This is the most high-tech part of your work. It is crucial that your hands are clean! Optical fiber fusion splicing usually takes a little less time than previous

Fusion Splicing Basics (Part 2): Strippers and Cleavers

This sleeve is placed over the fiber prior to splicing and placed away from the splice point during preparation and fusing. After the splice is complete,



Mini Fiber Cleaver Fiber To The Home Toolbox Fiber Cleaning

KLAZHYD Mini Fiber Cleaver Fiber To The Home Toolbox Fiber Cleaning Toolbox Fiber Optic Construction Toolbox Fiber Optic Toolbox Fiber Fusion Splicing Tool Kit : Amazon.ae: Tools & Home



Fiber Optic Splicing Techniques Guide

The document outlines the methodology for fiber optic splicing, detailing both fusion and mechanical splicing techniques. Key steps include preparation of the fibers,



Essential Tools for an Effective Fiber Optic Cleaning Kit

Microfiber cleaning cloths serve as an invaluable tool in any comprehensive fibre optic cleaning kit. Their unique structure allows for effective

Fiber Optic Fusion Splicing Guide: From Safety to

Learn Fiber Optic Fusion Splicing: step-by-step guide to safe, precise fiber prep, fusion, and testing for low-loss, high-quality splices in optic networks.



Detailed Explanation Of Fiber Optic Fusion Splicing

Fiber optic fusion splicing is mainly divided into four steps: stripping, cutting, fusion and protection. Stripping: refers to the fiber



Preparation / Fiber Optic Fusion Splicing / Why Clean

For the best results, opt for an optical-grade fabric wipe engineered for cleaning fiber. Fabric wipes are highly absorbent to effectively wick the



Contact Us

For datasheets, pricing, or custom telecom energy solutions, please visit:
<https://koskolong.co.za>