



Adam Tas Corridor Energy

Transparent Optical Cable 8-Core Overseas Warehouse for Carrier Backbone Network





Transparent Optical Cable 8-Core Overseas Warehouse for Carrier B

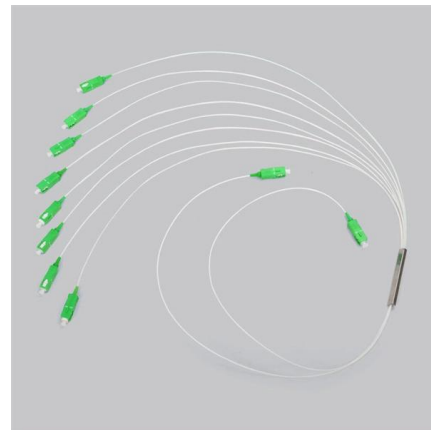
8 Core Optical Fiber Distribution Cable



Main products are optical fiber cables, data cables, communications cables etc. Its yearly productive capabilities are 4 million core kilometers, 0.5 million boxes, and

All-Optical Switching Supports Full Mesh Backbone Networks to

However, the mesh connections require optical grooming in more degrees and ultra-large switching capacity on core nodes. Huawei OXC all-optical switching solution has large-capacity switching and



National Optical Backbone Network

The national all-optical backbone network leverages the high bandwidth, long distance, and high reliability empowered by Huawei's advanced optical

National Optical Backbone Network Solution

Huawei's next-generation OTN platform for 100G and beyond, ideal for building high-performance



backbone and metro networks for DCI, ISP, grid, finance,

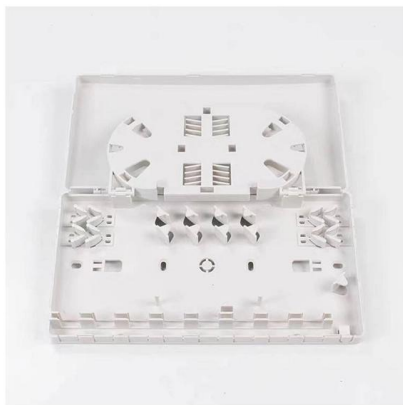
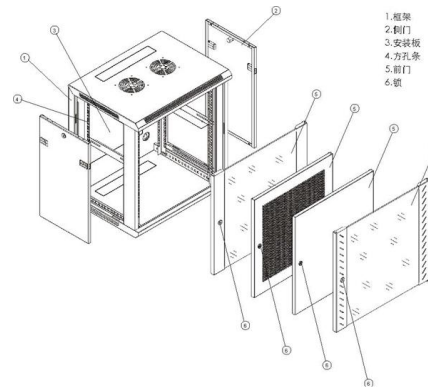


Carrier Backbone Network : Service Provider : Solutions for : Solutions

In the current carrier backbone networks, handling increasing traffic is a serious challenge facing network operations. In addition, providing a value-added service as an advantage over others is an

Connectix 002-005-014-08LS 8-Core CST Armoured

The fibre cable has excellent tensile strength and crush resistance characteristics and is also rodent proof. The cable consists of a central jelly filled green polyester



Backbone und Core

Sie können jetzt den Carrier Ethernet/IP Router Backbone und Core bei Pan Dacom Direkt entdecken. Schnell und kosteneffizient. Fordern Sie Informationen an.



Optical networking lightens carrier-backbone burden

Optical networking implies that data entering the network at any node traverses the network in the optical domain and exits at any other node. An optical network converts data bits from



Optical Transceiver Manufacturer, 12 Core Vs 8 Core

Choosing between 12-core and 8-core MPO connections for 40G network cabling? This guide compares fiber utilization, insertion loss, density, and

CloudBackbone: Converged Network, Improved Efficiency

CloudBackbone: Converged Network, Improved Efficiency Huawei's CloudBackbone solution consists of Network Cloud Engine (NCE) and network devices. It features ultra-broadband, simplified, and



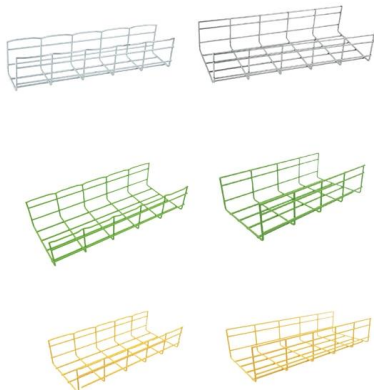
Cloudflare Backbone: A Fast Lane on the Busy Internet

It's important that our network continues to help bring improved performance and resiliency to the Internet. To accomplish this, we built our own



NOKIA

OUR PARTNER High-performance IP and optical networks for carriers and enterprises About NOKIA: Nokia is a leading provider of IP routing, optical



unsupervised_topic_modeling/topics/en/15/100/50/topics at master

Contribute to [annontopicmodel/unsupervised_topic_modeling](#) development by creating an account on GitHub.

Fibre optic cables

Whether it is a rewire that requires up to 288 fibres or an ex-tension to the existing backbone network that needs two or more fibres, the Lapp Group is your expert solutions partner in all things related to



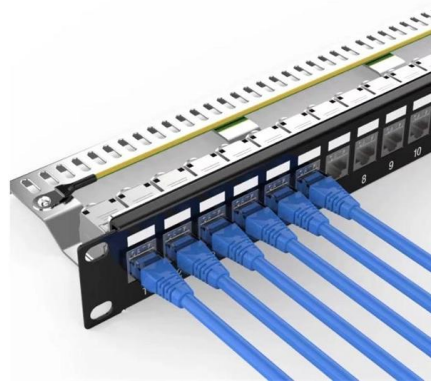
Enbeam OM1 SWA Direct Burial Fibre Optic Cable Loose Tube 8

These cables are constructed from standard single loose tube cables which are then packed into a flexible but strong fibreglass water blocking strength member. An internal sheath of material is then



Rethinking Internet Backbone Architectures

In this blog, Johan Gustawsson, Head of Network Engineering & Architecture writes about the technology transitions over the last years that keep



Designing a Future-Proof Fiber Backbone for Multi

Discover how to design a future-proof fiber backbone for multi-tenant buildings. Learn about cabling standards, fiber types, bandwidth planning, and

CommScope , now meets next

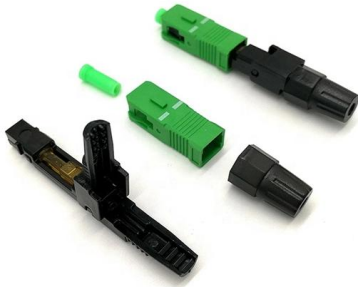
This white paper discusses fiber backbone cabling in buildings, exploring its importance and implementation for efficient connectivity.





8 Core Fibre Cable Singlemode Buffered , Brand-Rex

Brand-Rex 8 core single mode OS2 PDC internal and external LSZH optical fibre cable. Cut to order per metre. Universal PDC cable is constructed around the



Fiber Optic Cable

Across the facility, riser fiber optic cable has applications routing long distances to remote equipment cabinets (called IDF enclosures) that are in areas outside of air handling spaces and considered non



On the Capacity of Optical Backbone Networks

Optical backbone networks, characterized by using optical fibers as a transmission medium, constitute the fundamental infrastructure employed today

The Role of Optical Modules in Backbone Networks

Backbone networks form the foundation of modern communication, linking cities, countries, and even continents through high-capacity fiber optic





Subsea cable systems: the new high-capacity, high

Conclusions: The subsea cable market is rapidly evolving into a hyperscale-driven, AI-optimized, resilience-centric segment of global

Fiber Optic Cable 8 Core

Overview: Rayoptic Communication Co., Ltd (Rayoptic) offers high-quality 8-core fiber optic cables designed for reliable and efficient data transmission in various networking applications.



Learn about the best infrastructure map of the internet

plan connect buy Our focus is to show the layer 1 structure of the global network. View information about key internet infrastructures including fiber optic submarine

Optical Carrier

An Optical Carrier (OC) is a communication system that utilizes fiber optic cables and the Synchronous Optical Network (SONET) protocol to transmit data at varying speeds, ranging from 51.84 Mbps to



Contact Us

For datasheets, pricing, or custom telecom energy solutions, please visit:
<https://koskolong.co.za>