



Adam Tas Corridor Energy

Trends in Smart Distribution Boxes



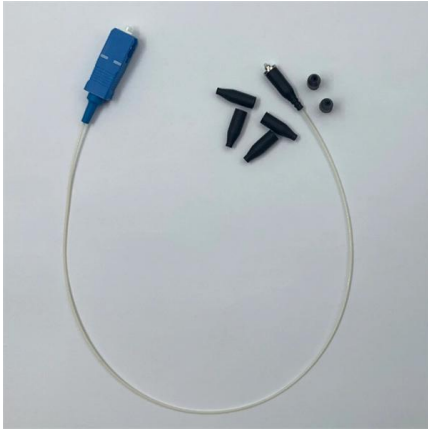


Overview

Artificial Intelligence (AI) is fundamentally transforming the Residential Distribution Box Market by enabling predictive maintenance, optimizing energy distribution, and enhancing safety protocols through real-time monitoring. Market Size and Projections: The Electrical Box Assembly market was valued at \$3690. Global Distribution Boxes Market Size By Product Type (Wall-Mounted Distribution Boxes, Floor-Mounted Distribution Boxes), By Material (Plastic Distribution Boxes, Metal Distribution Boxes), By Application (Residential, Commercial), By End User (Construction Companies, Electric Utility). The electrical distribution landscape is rapidly evolving with the integration of smart technologies, transforming traditional distribution boxes into intelligent, connected devices. These innovations improve system reliability, safety, and operational efficiency by enabling real-time monitoring. Furthermore, the push for renewable energy integration and the modernization of aging power distribution networks are propelling the demand for reliable. The Distribution Box Market is expected to grow from 2,640 USD Million in 2025 to 5 USD Billion by 2035.



Trends in Smart Distribution Boxes



Innovations in Distribution Boxes: Smart Monitoring and Remote

This article explores the latest innovations in Distribution Boxes, focusing on smart monitoring and remote maintenance capabilities that are redefining power distribution management.

Sensor Distribution Boxes Market 2026: A Deep Dive into Market Trends

Sensor Distribution Boxes Market Drivers and Emerging Trends to 2033 The global sensor distribution boxes market is propelled by a confluence of regulatory, technological, and



Trend of Distribution Box in 2025: Smart & Sustainable Growth

Discover the latest trend of distribution box market growth in 2025. Explore smart grid integration, rising demand for IoT-enabled solutions, and key regional opportunities. Click to uncover



Residential Distribution Box Market Size, Share & 2034 Growth

This growth trajectory is underpinned by several factors, including the increasing demand for



efficient electrical distribution systems in residential buildings, the rise in smart home



Top 6 Distribution Box Makers with Innovative Features in 2025

See the best distribution box manufacturer picks for 2025, featuring top brands with advanced safety, smart features, and global certifications.

Pet Care Market Size, Share , Industry Report [2026-2034]

PET CARE MARKET TRENDS Increasing Interest in Smart Pet Care Products & Customization to Trigger Market Expansion Tech-savvy consumers



Europe Civil Distribution Boxes Market Size, Trends & Forecast

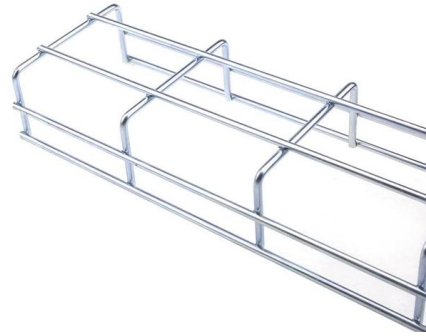
Smart grids are transforming how electricity is distributed, managed, and consumed, and as a result, civil distribution boxes must be capable of supporting these innovations.





Distribution Boxes Market Size, Share, Trends & Forecast

Gain valuable market intelligence on the Distribution Boxes Market, anticipated to expand from USD 1.5 billion in 2024 to USD 2.8 billion by 2033 at a CAGR of 7.5%. Explore detailed market



Trends in the warehouse and distribution industry for 2026

Warehouse and distribution industry trends 2026
2026 comes around as we are at the height of advancements in technology, from AI to

Development Trend Of Artificial Intelligence Distribution

Development trend of intelligent distribution box
With the development of science and technology, more humanized and intelligent



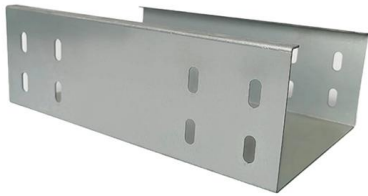
Smart Distribution Boxes, Complete Energy Management

Present households demand side management implementations are turning conventional appliances into smart ones to support auto demand (AutoDR) response function. Present concept features a



Advanced Distribution Box Technology: Smart & Connected Solutions

The Road Ahead: What's Next for Smart Distribution Boxes? The future of smart distribution boxes isn't just about more features--it's about deeper integration and sustainability.



Distribution Boxes Market Report , Global Forecast From 2025 To 2033

Application Analysis The application segment of the distribution boxes market includes residential, commercial, and industrial sectors. In the residential sector, the demand for distribution boxes is

Top 10 Distribution Trends & Innovations

Discover the Top 10 Distribution Trends plus 20 out of 5100+ startups in the field and learn how they impact your business.



Distribution Boxes Market Size, Trends, Key Highlights

Technological advancements in smart distribution boxes, integrated with IoT-enabled monitoring and real-time diagnostics, are enabling predictive maintenance and reducing downtime.



Traditional Distribution Boxes vs. Smart Distribution Boxes: Function

Smart distribution systems bridge that gap, making power management visible, intuitive, and responsive. While traditional boxes remain perfectly functional for basic protection needs, smart systems



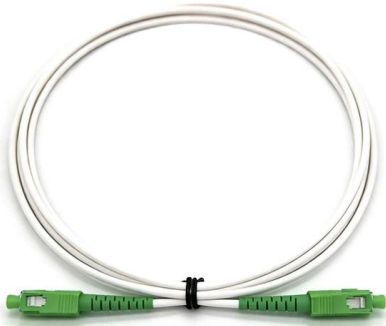
Distribution Box Market Report - Trends & Opportunities 2035

Technological advancements are reshaping the market with the integration of smart technologies; manufacturers are increasingly focusing on IoT-enabled distribution boxes that enhance operational

The Future of Delivery Box Technology: Innovations and

Lockable delivery boxes for packages represent one of the most promising trends in this space, offering a secure, convenient, and sustainable





Residential Distribution Box Market Size, Trends, 2026-2033

The Residential Distribution Box Market is experiencing a strategic transformation driven by rapid urbanization, evolving building codes, and the proliferation of smart home technologies.

Distribution Boxes Market Report , Global Forecast From 2025 To 2033

The key trends in the Distribution Boxes market include the development of eco-friendly and sustainable products, the expansion of product portfolios by major players, and the increasing



Future Distribution Trends & Innovations

Table 2. Future Distribution Trends To achieve these advances, companies focus on: Enhancing efficiency throughout business processes

Trend of Distribution Box in 2025: Smart & Sustainable Growth

Discover the latest trend of distribution box market growth in 2025. Explore smart grid integration, rising demand for IoT-enabled solutions, and key regional opportunities.



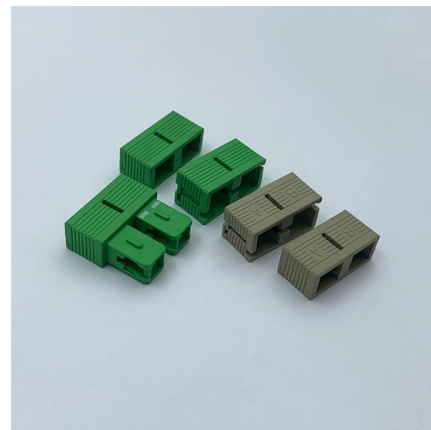
Distribution Boxes Market Size, Share, Trends & Forecast

The demand for intelligent distribution boxes is accelerating rapidly, driven by the proliferation of IoT, automation, and smart grid initiatives. These enclosures incorporate sensors,



Global Evolution of Distribution Boxes: Powering the Future of Smart

Looking ahead, the evolution of distribution boxes will continue to align with emerging trends in energy efficiency and sustainability. Smart grids, 5G infrastructure, and decentralized power



Global Smart Pill Boxes and Bottles Market Size, Industry Share, Trends

The Smart Pill Boxes and Bottles Market is expected to witness robust growth from USD 1.2 billion in 2024 to USD 4.5 billion by 2033, with a CAGR of 16.5%. Explore comprehensive market analysis,

2. Improved design is convenient for expansion.

The design of two inlets saves space and allows for rear line entry.



2025 Top Distribution Boxes Trends for Optimal Power Management

The landscape of power management solutions is evolving rapidly, particularly with the advent of smart distribution boxes. In 2025, we're witnessing innovations that enhance energy efficiency by



Contact Us

For datasheets, pricing, or custom telecom energy solutions, please visit:
<https://koskolong.co.za>