



Adam Tas Corridor Energy

Tunisia Optical Cable





Overview

This report provides a comprehensive view of the optical fiber cables industry in Tunisia, tracking demand, supply, and trade flows across the national value chain. Created in 1978, we are a cable provider, connecting cities and communities and contributing to the electrification of the world. Part of OneTech group, Tunisie Cables is a leading manufacturer of medium and low voltage cables. Market Forecast By Mode (Single Mode Fiber, Multi-Mode Fiber), By End-Use (Telecommunications, Networking, IT & Data Centers, Broadcast), By Application (Telecommunication, Power Utilities, Medical, Industrial), By Fiber Type (Glass Fiber, Plastic Fiber) And Competitive Landscape How does. Overall, the total consumption indicated a notable increase from 2012 to 2025: its value increased at an average annual rate of X% over the last twelve years. During the same year, Optical Fibers and optical fibre bundles were the 167th most exported product (out of 1,075).



Tunisia Optical Cable



STS Group

Wiring of turnkey FO networks: Supply of FO connection cables and accessories, pulling, blowing and cable carrying, Connection and Optical Assessment. Preventive and curative maintenance for the

Orange Tunisia to Land Medusa Submarine Cable System in Bizerte

Orange Tunisia and Medusa Submarine Cable System signed an agreement on May 11 to deploy a submarine cable linking Tunisia (Bizerte) to Europe, via France (Marseilles). This cable



Tunisia: Ooredoo connects to the PEACE optical fiber submarine cable

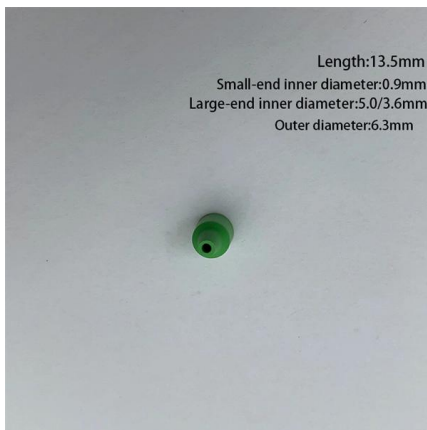
Tunisia: Ooredoo connects to the PEACE optical fiber submarine cable to strengthen its international connectivity Demand for high-speed connectivity continues to increase in Tunisia in a

Tunisia Fiber Optics Cable Market (2025-2031) , Outlook, Strategy

6Wresearch actively monitors the Tunisia Fiber Optics Cable Market and publishes its



comprehensive annual report, highlighting emerging trends, growth drivers, revenue analysis, and forecast outlook.



Tunisia Fibre Optic Cable Market (2025-2031) , Trends, Outlook

6Wresearch actively monitors the Tunisia Fibre Optic Cable Market and publishes its comprehensive annual report, highlighting emerging trends, growth drivers, revenue analysis, and forecast outlook.

Tunisia: the historic operator strengthens its fiber optic network

National operator Tunisie Telecom launched on Monday, November 11, a program to expand its fiber optic network in the Tataouine region. With an investment of about 500,000 dinars



Tunisia: Ooredoo connects to the PEACE optical fiber submarine cable

Read all about 'Tunisia: Ooredoo connects to the PEACE optical fiber submarine cable to strengthen its international connectivity' and get the latest news & updates from Extensia.



Tunisia Fiber Optic Cable Market (2022-2028) , Trends, Outlook

Tunisia Fiber Optic Cable Market Competition 2023 Tunisia Fiber Optic Cable market currently, in 2023, has witnessed an HHI of 2653, Which has decreased slightly as compared to the HHI of 3135 in



Optical Fibers and optical fibre bundles in Tunisia

Find the latest exports, imports and tariffs for Optical Fibers and optical fibre bundles trade in Tunisia.

Tunisie Telecom joins Medusa Submarine Cable System

This Friday, February 7, the national operator Tunisie Telecom has signed a strategic partnership agreement with Medusa Submarine Cable System.



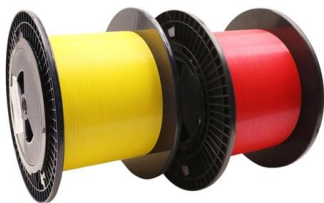
STS Group Fiber Optic and networking

STS Group Int. Leader in integration of innovative telecommunications solutions In Tunisia and internationally. Listening, Innovation, Responsiveness, Quality, Competence Thanks to its 25 years



Construction of Medusa subsea cable commences

Construction will be done by ASN and Elettra Tlc and will see an 8,700km 24-pair fiber optic cable offering 20Tbps of capacity per fiber pair



Telecommunication Cable Supplier Tunisia

The supplier landscape for Tunisia is competitive, with a strong focus on fiber optics and structured cabling from experienced Chinese manufacturers. Key differentiators are review scores,

Tunisie Telecom Takes a Fiber Pair on Medusa Submarine Cable

Tunisie Telecom has signed a strategic partnership agreement with Medusa Submarine Cable System. The agreement covers the supply and operation of a dedicated fiber-optic link





Medusa Optical Fibre Cable

The project will install a 7,100 km state-of-the-art submarine optical fibre cable in the Mediterranean to connect Northern African countries with Cyprus, France, Italy, Portugal and Spain. The aim is to

Câble Optique Tunisie

Découvrez notre gamme complète de câbles optiques certifiés (ISO/CEI) chez i3t Tunisie. Monomode, multimode, câbles extérieurs et accessoires de soudure.

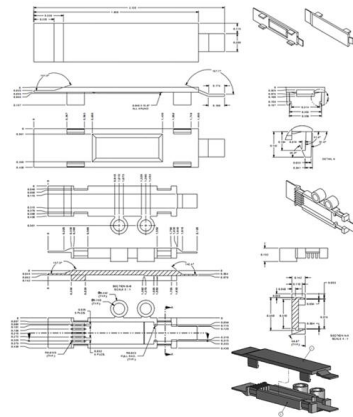


SNTT Company

With a capital of 150,000 Dinars and a team of 3 engineers, 3 administrators, 5 senior technicians and 19 technicians and skilled workers, SNTT has become the

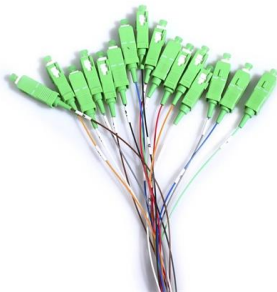
STS Group

Blowing, splicing and commissioning of 170 KM fiber optic cable between well pads. (2016-2017)
civil works, laying, splicing and testing of Fiber optic cable for FTTX customers on behalf of Tunisie



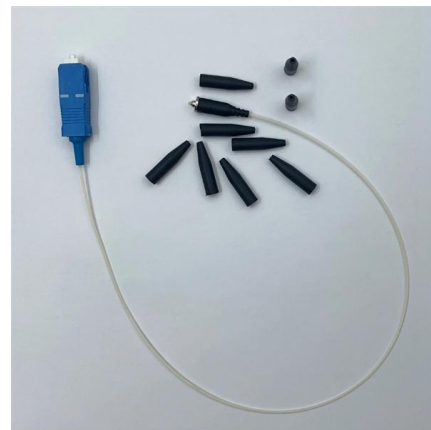
Tunisia

Tunisie Telecom is the leading provider of international internet connectivity. The company manages three sub-sea cables, including a 112-mile fiber-optic cable connecting the city of



Câble Optique Tunisie

Câble Optique en Tunisie : Guide Complet et Solutions Réseaux Performance Bienvenue chez i3t, votre partenaire de confiance pour l'achat de câble optique en Tunisie. Dans un monde où la rapidité de



Tunisia

Imports of Optical Fibers, Bundles and Cables Imports into Tunisia In 2024, supplies from abroad of optical fibers, bundles and cables was finally on the rise to reach X tons after two years of





Tunisia Fiber Optics Cable Market (2025-2031) , Outlook, Strategy

6Wresearch actively monitors the Tunisia Fiber Optics Cable Market and publishes its comprehensive annual report, highlighting emerging trends, growth drivers, revenue analysis, and forecast outlook.



Xxion PRO 1.5 Metre TOSLINK SPDIF Digital Optical Audio Cable

Shop Xxion PRO 1.5 Metre TOSLINK SPDIF Digital Optical Audio Cable - Supports all formats up to 24 bit - 96 kHz such as PCM Stereo, Dolby Digital, Dolby 5.1, AC-3 and DTS online at best prices at

Leader in cable manufacturing

Created in 1978, we are a cable provider, connecting cities and communities and contributing to the electrification of the world. Part of OneTech group, Tunisie Cables is a leading manufacturer of



Tunisia's Optical Fiber Cables Market Report 2026

This report provides a comprehensive view of the optical fiber cables industry in Tunisia, tracking demand, supply, and trade flows across the national value chain.



Tunisie Telecom joins Medusa submarine cable system

Tunisie Telecom has entered into a strategic partnership with Medusa, the advanced submarine fibre optic system connecting the Mediterranean, Atlantic, and Red Sea. This partnership



Câbles à Fibre Optique

Explorez notre gamme de câbles à fibre optique et profitez d'une qualité premium à des prix attractifs en Tunisie, avec une livraison rapide. Transformez votre

Tunisia Fiber Optic Cables Market (2024-2030) Outlook

Tunisia Fiber Optic Cables Market is expected to grow during 2024-2030





Telecommunication Cable Supplier Tunisia

Find trusted telecommunication cable suppliers in Tunisia. Explore verified manufacturers with custom options, competitive pricing, and fast delivery. Click to discover top-rated suppliers for

Contact Us

For datasheets, pricing, or custom telecom energy solutions, please visit:
<https://koskolong.co.za>