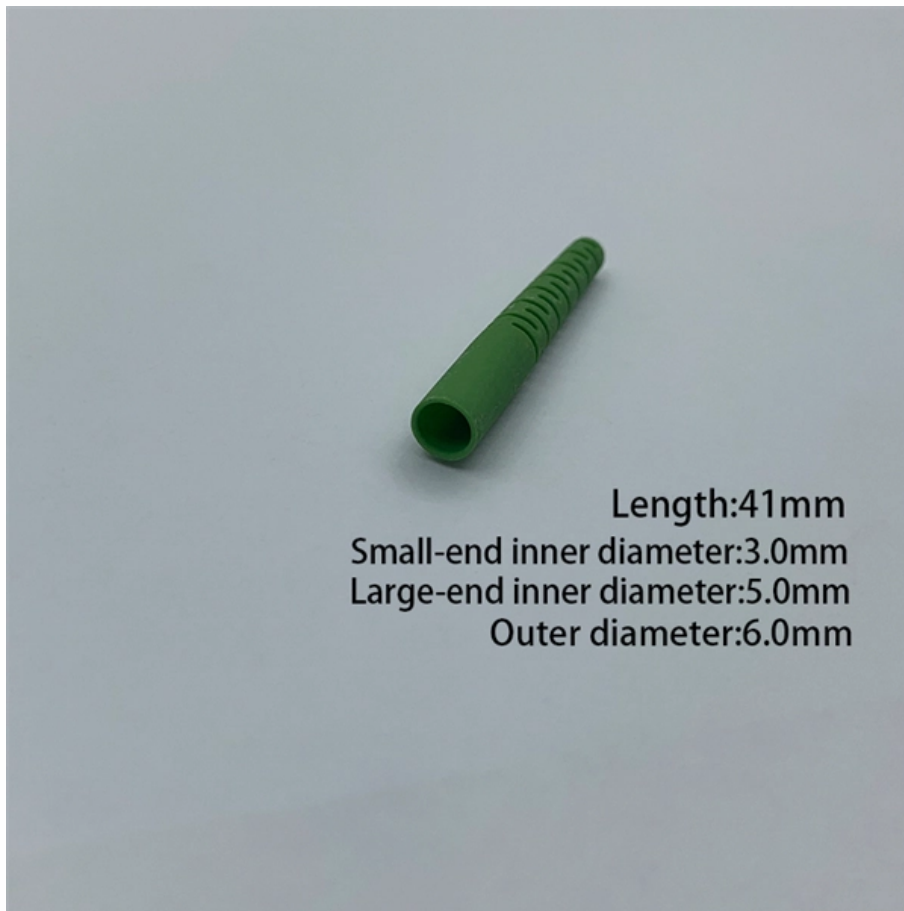




Adam Tas Corridor Energy

Tunisian industrial-grade optical modules for sale





Tunisian industrial-grade optical modules for sale

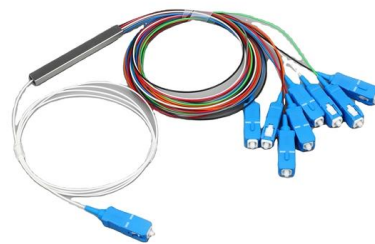


What is an industrial grade optical module?

Many people may not be aware that optical modules are an integral part of all network connectivity deployments. Most of the optical modules we

Optical module

An optical module is a typically hot-pluggable optical transceiver used in high-bandwidth data communications applications. Optical modules typically have an electrical interface on the side that



STS Group

Blowing, splicing and commissioning of 170 KM fiber optic cable between well pads. (2016-2017)
civil works, laying, splicing and testing of Fiber optic cable for FTTX

Optical Modules Market Size, Growth Trends & Forecast

The Optical Modules Market encompasses the design, manufacturing, and deployment of



compact, high-performance devices that facilitate the



Optical Transceivers: SFP, SFP+, QSFP, and Industrial Grade Modules

Explore Miray's full range of optical transceivers: SFP, SFP+, QSFP, and more. Find industrial-grade, high-speed fiber optic modules for data centers and industrial networking.

1/2/4G Transceiver Modules , Optical Transceivers

FS provides 1/2/4G transceivers modules in SFP form factor, supporting transmission distances from 100m to 120km over SMF/MMF fiber and enabling low power and



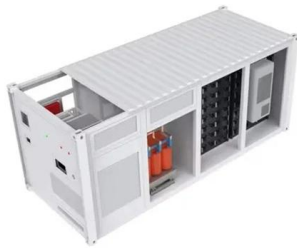
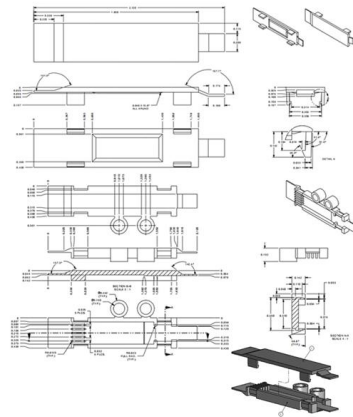
SFP28 Optical Transceiver Modules (25G-SR/LR)

Our 25-Gigabit Ethernet SFP28 Optical Modules will plug into any SFP28 port and will output to a Duplex LC receptacle (port). Our SR modules use Duplex LC OM3/OM4 Cables up to 100m (330ft)



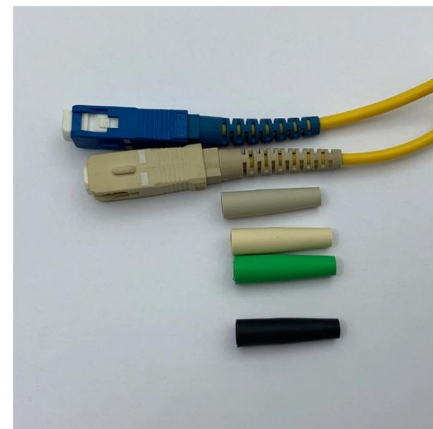
SFP28 Optical Transceiver Modules for Sale (25G) , Cables on Demand

SFP28 Optical Transceiver Modules (25G-SR/LR)
Buy 25G SFP28 Optical Transceiver Modules by Amphenol XGIGA Factory-Direct at Cables on Demand! Optimized for data rates up to 28.0 Gbps



Best Fiber Optic Modules in Tunisia , Buy Bulk Fiber Optic Modules

Customize MOQ of Fiber Optic Modules manufacturer from Tunisia, deal with top Fiber Optic Modules verified suppliers.



Top 10 Optical Module Brand & Manufacturers

This section provides a list of the top 10 Optical Module manufacturers, Website links, company profile, locations is provided for each company. Also provides a detailed product description of the Optical



Industrial Fiber Optics

Industrial Fiber Optics is a world leader in manufacturing polymer and large-core silica optical fiber cable assemblies. We specialize in



Optical Modules Market Size, Growth Trends & Forecast

Access detailed insights on the Optical Modules Market, forecasted to rise from USD 3.5 billion in 2024 to USD 8.2 billion by 2033, at a CAGR of 10.3%.

SFP28 o QFSP28 Optical Modules for Sale , Cables on Demand

SFP28 o QFSP28 Optical Modules Amphenol 25G SFP28 Optical Transceiver Modules and 100G QSFP28 Optical Transceiver Modules Available Now in SR (Short-Range) Multimode and LR (Long





Tunisia Coherent Optical Equipment Market (2025-2031)

Historical Data and Forecast of Tunisia Coherent Optical Equipment Market Revenues & Volume By Fiber-to-the-Building/Premises (FTTB/P) Optical Network for the Period 2021- 2031

SFP Optical Transceiver Products , Syrotech Networks

Syrotech Networks is market leader in manufacturing and supplier of sfp module, optical transceiver, sfp port, sfp optical transceivers, fiber sfp.



SFP+ Optical Transceiver Modules (10G-SR/LR)

Amphenol SFP Optical Modules o SFP+ Optical Modules from Cables on Demand are Now Available in both Short Range (SR) Multimode and Long Range (LR)

Tunisia Optical Instrument And Lens Market (2025-2031) , Companies

6Wresearch actively monitors the Tunisia Optical Instrument And Lens Market and publishes its comprehensive annual report, highlighting emerging trends, growth drivers, revenue analysis, and



Transceivers, optical modules

SFP MODULES - COMPATIBILITY LightOptics
Transceivers are safe and reliable optical transceivers compatible with leading vendors of networking and telecommunication. Thanks to finest components,



Global Industrial Grade Optical Modules Market 2024 by

Chapter 2, to profile the top manufacturers of Industrial Grade Optical Modules, with price, sales quantity, revenue, and global market share of Industrial Grade Optical Modules from 2019 to 2024.



Industrial Grade Optical Modules Market 2026

Industrial Grade Optical Modules Market are high-performance components designed for harsh environments, providing reliable data transmission in applications such as telecommunications,





Optical Fibers and optical fibre bundles in Tunisia

Find the latest exports, imports and tariffs for Optical Fibers and optical fibre bundles trade in Tunisia.

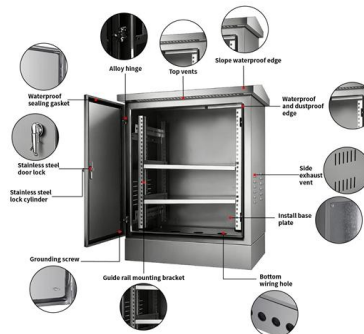


Optoelectronic Modules

We provide a complete range of services including design, modeling, alignment, packaging, Telecordia qualification and testing for optoelectronic modules. Our

Tunisian Optical Buyers, Importers & Purchasing Managers

Find trusted Tunisian Optical Buyers. Send inquiries and quotations to high volume B2B Tunisian Optical buyers and connect with purchasing managers. Page - 1



Contact Us

For datasheets, pricing, or custom telecom energy solutions, please visit: <https://koskolong.co.za>