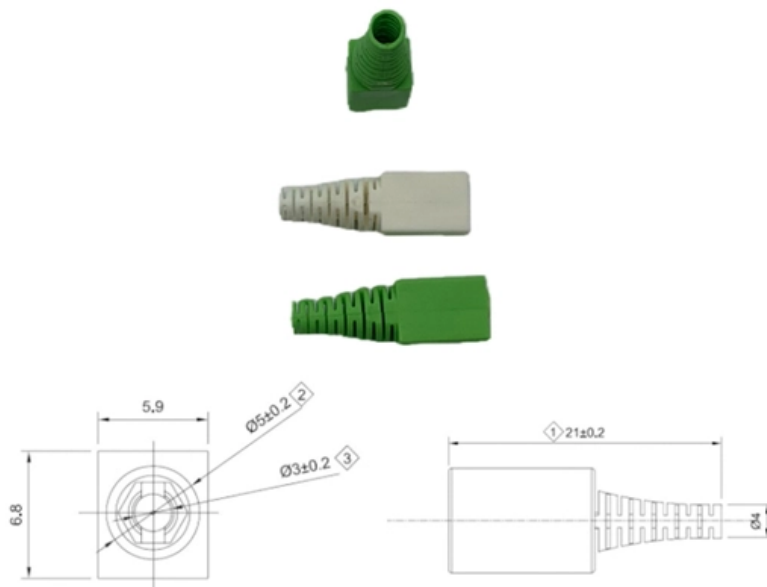




Adam Tas Corridor Energy

Tuvalu Opsens fiber optic sensor



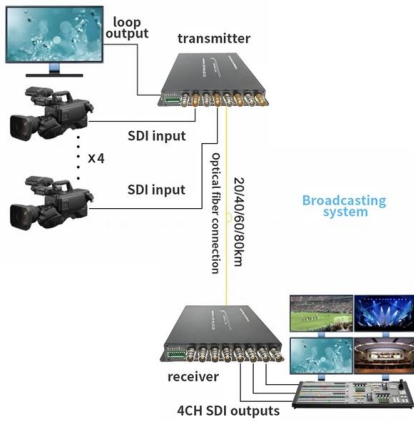


Overview

OpSens supplies a wide range of fiber optic sensors and signal conditioners for temperature, pressure, strain and deformation measurement based on proprietary patent and patent-pending technologies. Opsens Solutions optical pressure sensor delivers reliable results in harsh environment. Shaping a new standard - An advanced FFR pressure guidewire with fiber optic sensing technology. The OPP-W, which is based on an optical sensing element made of monocrystalline sapphire, offers superior.



Tuvalu OpSens fiber optic sensor



IMP0091 OPP-C Rev 2.1_Layout 1.qxd

Description OpSens' OPP-C, MEMS-based fiber-optic pressure sensor, is perfectly tailored to meet the challenges of pressure monitoring applications in submerged and/or harsh environments. The OPP

FIBER OPTIC TEMPERATURE KEY FEATURES SENSOR

Combined with OpSens Solutions' SCBG (Semiconductor Bandgap) signal conditioning technology and with the inherent advantages of fiber optic, the OTG-M Series delivers unprecedented repeatability



OPP-C Series

Fiber Optic level sensor - OPP-C Series Thanks to optical sensors, hydrostatic pressure measurement enables accurate long-term monitoring of liquid levels

OpSens a fractional flow reserve, Oil & Gas and fiber optic sensor company.

OpSens Solutions delivers a high-end fiber optic



sensing solution to Oil & Gas producers,
providing them with reliable real-time downhole



Opsens fiber optic sensor company for FFR and Oil & Gas.

Fiber optic sensors manufacturer offering solutions for interventional cardiology Fractional Flow Reserve FFR, Oil and Gas and industrial applications.



Opsens Solutions, Fiber Optic Temperature Sensors

Fiber Optic Temperature Sensors: OTG Series (SCBG) OTG series fiber optics temperature sensors are designed for applications that require very focal



OTG-R Fiber Optic Temperature Sensor

This compact and robust fiber optic temperature sensor is available with different optical cables and sheath options and is customizable according to customer





OPP-M fiber optic pressure sensor, probe and transducer

OPP-M Fiber optic miniature pressure sensor
MEMS-based fiber optic pressure sensor
providing high frequency response and additional
functions resistant to MR for industrials
applications.



OPP-B Fiber Optic Pressure Sensor

WLPI-based fiber optic pressure sensor for water
level, geotechnical, Aerospace Defense, aviation,
transportation, test and measurement and
general industry.

Opsens a fractional flow reserve, Oil & Gas and fiber optic sensor company.

About OpSens Fiber optic sensors manufacturer
offering solutions for interventional cardiology
Fractional Flow Reserve FFR, Oil and Gas



Opsens Solutions temperature, pressure, strain,

Fiber Optic Temperature Sensors High accuracy
and repeatable optical temperature sensors for
your needs. More details



OPP-C Fiber optic pressure sensor

Opsens Solutions' OPP-C, MEMS-based fiber-optic pressure sensor, is perfectly tailored to meet the challenges of pressure monitoring Applications in submerged

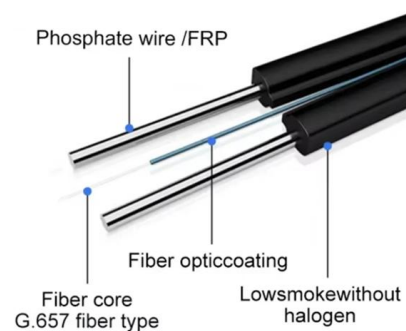


Fiber optic sensors for industries

Industries Opsens Solutions' fiber optic for temperature, pressure, strain & displacement for industries. Opsens Solutions offers sensors and signal conditioners adapted to your needs and specific

OpSens Solutions Fiber Optic Sensing Technology Selected for the

OpSens, through its subsidiary OpSens Solutions (), is also involved in industrial activities in developing, manufacturing and installing innovative fibre optic





OTG-I220 & OTG-I360 Fiber Optic Temperature Sensor

GaAs-based fiber optic temperature sensor for demanding industrial environment with high voltage, RF and microwave.

OSP-SW fiber optic strain sensor

WLPI-based fiber optic strain sensor for geotechnical, Aerospace and Defense, transportation, cryogenic superconductivity MR coils and general industry.

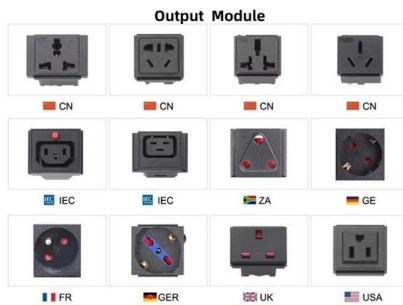


Optical Fibre-Based Sensors--An Assessment of

Optical fibre sensors are an essential subset of optical fibre technology, designed specifically for sensing and measuring several physical parameters. These

ODP-A fiber optic displacement sensor, probe and transducer.

WLPI-based fiber optic displacement sensor for geotechnical, Aerospace Defense, aviation, transportation, test and measurement and general industry.



Why Choose Us

- 29 Years of OEM/ODM**
20 Years factory manufacturing experience.
- Professional R & D team**
10-years experience/mold/electronic engineer.
- Fully Certified**
Our are certified CE,UL,FULV,ISO9001,ISO14001 etc.
- Timely Delivery**
23 production lines, 1000 employees, Timely delivery guaranteed.
- Quality Assurance**
Professional QC team with full-process inspection.
- After-sales service**
After-Sales Service for Customer Satisfaction.

Tuvalu Distributed Fiber Optic Sensor In Oil & Gas Market (2025-2031)

6Wresearch actively monitors the Tuvalu Distributed Fiber Optic Sensor In Oil & Gas Market and publishes its comprehensive annual report, highlighting emerging trends, growth drivers, revenue

Opsens fiber optic sensing technologies

Opsens actual offer includes a complete family of fiber optic Fabry-Perot pressure sensors covering a wide range of applications such as for medical catheters,



OPP-GF Fiber Optic Pressure Sensor

Opsens Solutions' OPP-GF, MEMS-based fiber optic pressure sensor specially packaged for spot welding installation. Its low and smooth profile is perfectly



OPP-W Fiber Optic Pressure/Temperature Sensor

Designed especially for demanding hazardous environments, it is encased in robust inconel-718 housing for applications requiring a rugged sensor. The OPP-W delivers in- situ and



Fiber Optic level sensor WaterSens

Fiber Optic level sensor WaterSens Reliable measurement of liquid levels in the most demanding environments

OTP-M

The OTP-M is compatible with the WLPI AccuSens signal conditioners. This compact and precise fiber optic temperature sensor, available in different cables and



Optical Fiber Sensors and Sensing Networks: Overview

In this work, we identified several areas of potential future developments, namely optical fiber sensors and sensing networks, and the



OTG-A Fiber Optic Temperature Sensor

GaAs-based fiber optic temperature sensor for demanding industrial environment with high voltage, RF energy, microwave, and radiations.



OTG-F Fiber Optic Temperature Sensor

GaAs-based fiber optic temperature sensor for demanding industrial environment with high voltage, RF and microwave.



OPP-C & OPP-CT Fiber OPTiC KEY FEATURES Pressure sensOrs SENSOR

Opsens Solutions' OPP-C, MEMS-bases fiber-optic pressure sensor, is perfectly tailored to meet the challenges of pressure monitoring applications in submerged and/or harsh environments.



OPP-C & OPP-CT Fiber OPTiC KEY FEATURES Pressure sensOrs

Opsens Solutions' OPP-C, MEMS-bases fiber-optic pressure sensor, is perfectly tailored to meet the challenges of pressure monitoring applications in submerged and/or harsh environments.

Contact Us

For datasheets, pricing, or custom telecom energy solutions, please visit:
<https://koskolong.co.za>