



Adam Tas Corridor Energy

VFD Distribution Box



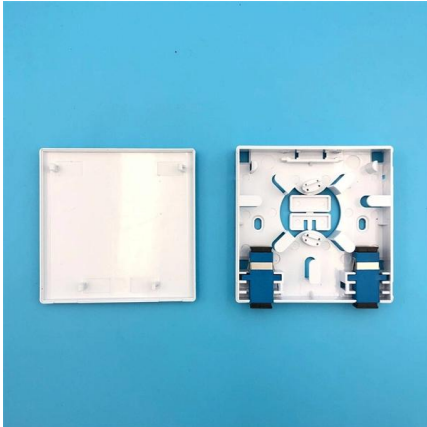


Overview

✂ Distribution Box for VFD – Built for Control, Protection & Efficiency The Distribution Box for VFD ensures safe and efficient power delivery to Variable Frequency Drives. It's engineered to handle high-performance industrial applications with precision and durability. Speed regulation and energy-saving core: With the help of frequency conversion technology, the motor speed can be seamlessly adjusted from low speed to rated speed (such as smooth switching of water pump from 30% speed to 100% speed), avoiding energy waste caused by traditional power frequency. Manufacture custom made Local Control Stations & Distribution Boxes, local control panel boards and stations, explosion protected control units, distribution. A Variable Frequency Drive, also known as a VFD or AC drive, is a device used to control the speed and torque of an electric motor by varying the frequency and voltage supplied to the motor.



VFD Distribution Box



VFD Control Panel

Variable Frequency Drive Roughly 50% of the total electrical energy generated in the US is consumed by rotating equipment. Variable frequency drive technology

VFD Cable Termination: A Step-By-Step Guide to Ensure Optimal Performance

Beginner-friendly VFD cable termination guide with step-by-step tips, shield grounding, and kits to boost safety, reduce EMI,



VFD Control Panels

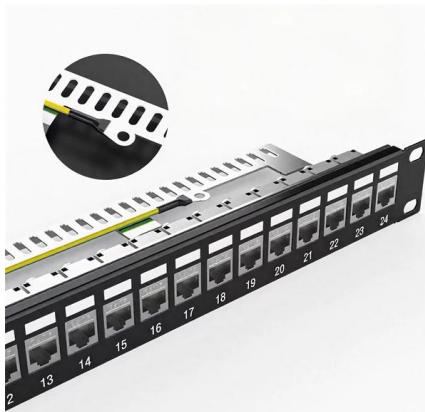
Shop VFD control panels built for turnkey motor control with prewired drives, disconnects, protection components and ready-to-install configurations.

Power distribution box-GRL

Distribution boxes are mainly used for high-voltage switchgear, transformers and other electrical equipment in indoor or outdoor



substations. The power distribution



Comprehensive Guide to VFD Panels: Functions,

Learn about VFD panels functions, applications, and benefits. Optimize motor speed and performance, improve energy efficiency, and enhance process control.

Ex Local Control Stations & Distribution Boxes

Atex control stations, explosion protected control units and distribution boxes made stainless steel maritime grade AISI 316L or AISI 304L. Atex Delvalle provides a



Distribution boxes - For modular and decentralised solutions

We provide you with information on our distribution boxes for download. Download our product catalogue for sensor-actuator cabling and circular connectors or our portfolio overview for



VFD Panel , Simple and Scalable , Automation Ready

Explore our VFD Panel Design and all of the benefits these VFD Panels bring. Learn more deeply about VFD panels and it's other optional components.



Variable Frequency Drive(VFD)Distribution Box for Flow

Our Variable Frequency Drive (VFD)Distribution Box is a state-of-the-art power management solution designed specifically for flow-through fish farming

Outdoor Stainless Steel Distribution Monitoring Instrument Box

Outdoor Stainless Steel Distribution Monitoring Instrument Box Rainproof Strong Current Wiring Enclosure NEMA 4 Metal Steel Box No reviews yet certified Yueqing Saip Electric Co., Ltd. Custom



Distribution boxes - For modular and decentralised

Downloads We provide you with information on our distribution boxes for download. Download our product catalogue for sensor-actuator cabling and circular



Understanding Distribution Boxes: A Comprehensive Guide

A distribution box, also known as a power distribution box or electrical distribution box, is used to distribute electrical power safely to multiple

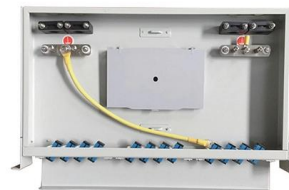


VFD Distribution Panel/VFD Electrical Panel/VFD Electrical Cabinet/VFD Distribution Box

VFD Distribution Panel/VFD Electrical Panel/VFD Electrical Cabinet/VFD Distribution Box

Distribution boxes - For modular and decentralised

Modern automation solutions are becoming increasingly decentralised. As a result, you need distribution systems that can be easily integrated into the common



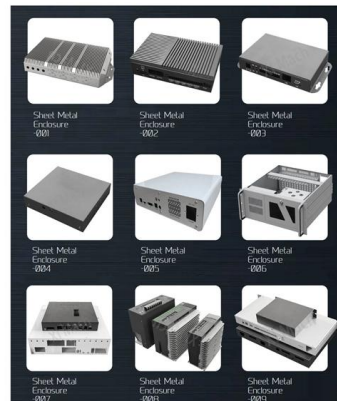
Pvc Distribution Box

Lighting System Motor Drive for Automobile Industry Positive Displacement Pumps Pvc Distribution Box Solar Lighting System Solar Power Systems Solar Pump



VFD and Enclosures , ACI Controls Inc

By offering VFDs with enclosures as solutions, ACI Controls provides customers with a complete package that not only addresses their motor control requirements but also ensures the safety,

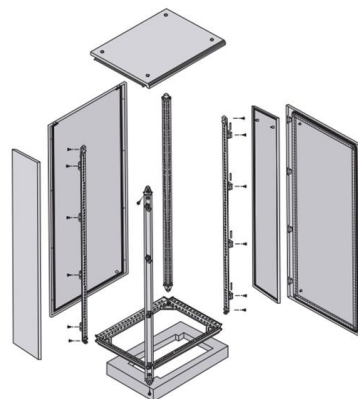


Distribution Box for VFD

? Distribution Box for VFD - Built for Control, Protection & Efficiency The Distribution Box for VFD ensures safe and efficient power delivery to Variable

Sensor and actuator distributor - ipf electronic

Distribution boxes with M8 and M12 connection cables made on both sides facilitate the wiring of sensors and actuators (short cable routes and less wiring effort). Distribution boxes are often used in





Complete VFD Control Panel Box Floor-Mounted Power Control



1.VFD cabinets 2.PLC control cabinets 3.Energy-saving transformation projects 4.Capacitance compensation cabinet 5 dustrial control cabinet 6.Explosion-proof cabinet 7.Generator

DURApulse GS4 VFD Conduit Box Installation from AutomationDirect

GS4 Variable Frequency Drive (VFD) Conduit Boxes are a great way to save money and space in your installations. This brief demo/tutorial talks about the benefits of conduit boxes and shows you who to



Shield Termination and Grounding in VFD Circuits

Shield Termination and Grounding in VFD Circuits
Variable Frequency Drives (VFDs) can provide motor control and significant energy savings for industrial applications. They also have the potential to

VFD Basics and Installation: A Comprehensive Guide

Learn the basics of Variable Frequency Drives (VFDs) and how to install them with ease. Discover how VFDs enhance motor efficiency, reduce energy costs, and



Ex Local Control Stations & Distribution Boxes

Manufacture custom made Local Control Stations & Distribution Boxes, local control panel boards and stations, explosion protected control units, distribution



VFD Wiring and Connection Diagram , PDF

The document discusses the wiring diagram of a variable frequency drive (VFD) and its connection with a motor, external switches, and external



The Ultimate Guide to VFD Control Panel Wiring Diagrams

VFD Wiring When it comes to wiring a VFD control panel, there are several important considerations to keep in mind. The wiring diagram for a VFD control panel



Variable-Frequency Drive (VFD) Control Panels , Spike

Explore high-quality VFD control panels by Spike. Custom-built, UL 508A certified, and designed for energy efficiency. Get same-day shipping & 24/7 support!



VFD Control Board VFD Distribution Box

Complete sets of distribution boxes, distribution panels, control panels, control boxes, power supply cabinets, electrical cabinets, etc.

Dual-Pump Stainless Steel VFD Distribution Box for Water Supply

Power distribution transformation and upgrading: For old systems, we provide replacement of old cabinets, energy efficiency optimization, adaptive transformation for special scenarios, and adopt the



VFD Enclosures , Drive Systems , Wiegmann

Explore Wiegmann's VFD Enclosure Systems, engineered to protect and enhance the performance of your drive applications in various environments.



Electrical Considerations for Variable Frequency Drives

Variable Frequency Drives (VFD) are commonplace in the design of mechanical systems. Where "VFD" is the most common terminology used, they are also called



Contact Us

For datasheets, pricing, or custom telecom energy solutions, please visit:
<https://koskolong.co.za>