



Adam Tas Corridor Energy

Vietnam Trunk Optical Cable Network





Overview

The VTS cable system is led by Viettel and Singtel which signed an MOU for the project in Dha Trang, Vietnam on April 11, 2024. HCMC - The Ministry of Information and Communications is accelerating investments in fiber optic networks to enhance internet access capacities, with plans to deploy at least two new undersea cables by 2025. The announcement was made during the Internet Day 2024 conference and exhibition held on. Graphic: Hoang Khanh
Deployment of 2-4 New International Cable Routes Vietnam has unveiled ambitious plans to significantly enhance its international telecommunications infrastructure. Vietnamese operators such as Viettel, VNPT, FPT, and CMC collectively own or co-own seven submarine cables.



Vietnam Trunk Optical Cable Network



Vi?t Nam expects to have 15 undersea cable routes by

HÀ N?I - Vi?t Nam plans to build at least 10 new undersea cable routes by 2030, increasing the total number to 15 with a minimum capacity of 350

VTS

The VTS cable system consists of 8 fiber pairs on its main trunk. The Vietnam-Singapore Cable System (VTS) directly connects Vietnam and Singapore, with



The VSTN international terrestrial fiber optic cable line

Press the button to officially launch the VSTN international terrestrial fiber optic cable line. On August 4th, Vietnam Post and Telecommunications

Viettel partners Singtel to develop new submarine cable system

The main trunk landing stations are planned to be in Vietnam (managed by Viettel) and



Singapore (managed by Singtel). Additionally, the VTS cable is expected to have branch landing



Strategy for Developing Vietnam's International Fiber

+ Implement and activate at least 6 additional new submarine cable routes, raising the total designed capacity of submarine fiber optics to at least 350 Tbps. +

Vietnam confirms cable enhancement plans

Vietnam has confirmed plans - approved by the government and announced by the Ministry of Information and Communications - to invest in two to four more international



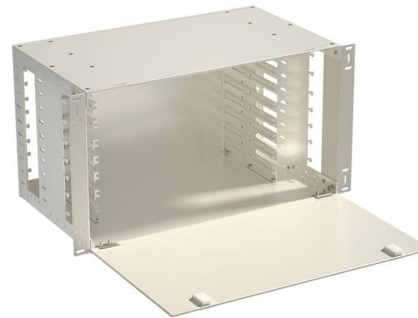
VNPT and Viettel expand international fibre-optic network capacity

Across the industry, Vietnamese operators such as Viettel, VNPT, FPT and CMC collectively own or co-own seven submarine cables. This infrastructure is considered important for



Viettel and Singtel co-found new undersea cable

This project aligns with Vietnam's international optical cable development strategy to 2030, with a vision to 2035. Once operational, the cable



SJC2 Subsea Cable is Finally Operational

SJC2's main trunk links Singapore, Hong Kong China, and Japan, with additional branches covering other key Asia-Pacific countries and regions.

Putting into operation at least 10 more undersea fiber optic cable

According to the Strategy, Vietnam's international fiber optic cable system is an important component of digital infrastructure, and must be prioritized for modern investment, one step ahead,



Vietnam Boosts Connectivity with Asia's Largest Subsea

Vietnam activates Asia's largest subsea cable, boosting internet capacity by 50 Tbps and connecting directly to major hubs in Singapore, Japan,



Submarine cable connecting Vietnam to Singapore

The main trunk landing stations are planned to be in Vietnam (managed by Viettel) and Singapore (managed by Singtel). Additionally, the VTS

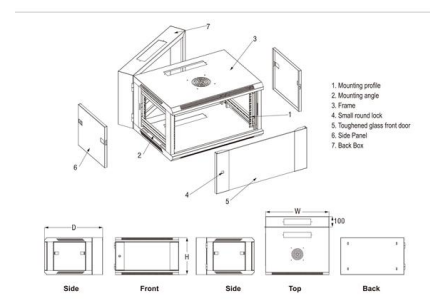


Vietnam

Viettel and Singapore have signed an MOU to build the Vietnam-Singapore submarine cable system (VTS). Sovico Group and Keppel are discussing plans for new subsea fibre-optic cables that would

Viettel partners Singtel to develop new submarine cable system

The Vietnam - Singapore Cable System (VTS) is a key project for Viettel under this initiative. As part of the MoU, both parties intend to develop the submarine cable system connecting





Fiber Optic Trunk Cable Market Emerging Trends and Dynamics , Vietnam

The fiber optic trunk cable market is experiencing rapid growth driven by the escalating demand for high-capacity data transmission, expanding telecommunications infrastructure, and the

Vietnam expects to have 15 undersea cable routes by 2030

Vietnam plans to build at least 10 new undersea cable routes by 2030, increasing the total number to 15 with a minimum capacity of 350 Tbps.



Vietnam Plans to Expand International

As part of this concerted effort, the projection is set that by the year 2025, the collective international connectivity capacity, encompassing both land



VNPT and Viettel expand international fibre-optic

Across the industry, Vietnamese operators such as Viettel, VNPT, FPT and CMC collectively own or co-own seven submarine cables. This



Fiber-optic cable strategy to give VN more control of

Deputy Chair of the Vietnam Internet Association (VIA) Vu The Binh said Vietnam's international fiber optic cable network strategy will allow the



Viettel and Singtel Sign MOU for Vietnam-Singapore

The main trunk landing station is in Vietnam (managed by Viettel) and Singapore (managed by Singtel). Additionally, the VTS cable is expected to have



Vietnam to Have 10 New Undersea Fibre Optic Cable Lines

Vietnam plans to expand its international fibre optic cable system with 10 new undersea cables by 2030, enhancing digital infrastructure.





VNPT Launches Vietnam's First Terrestrial Cable

VNPT has inaugurated Vietnam's first fully terrestrial fibre-optic cable line connecting directly to Singapore, enhancing the country's



Vietnam to launch two new undersea cables in 2025

Strengthening Vietnam's undersea fiber optic cable systems is vital for ensuring stable international data exchange and uninterrupted

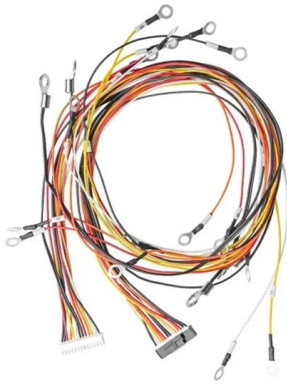
Vietnam's submarine fiber optic cables break about 10

That's why when a submarine cable incident occurs, domestic telecommunications businesses do not have enough infrastructure to respond. In



The VSTN international terrestrial fiber optic cable line

With the VSTN cable line, Vietnam has affirmed its position as a data transit hub in the region, contributing to the establishment of a seamless digital



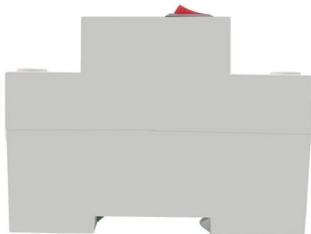
Vietnam to have 10 new submarine optical cable lines by 2030

The Government of Vietnam has announced plans to expand its international optical cable system and introduce at least 10 new submarine optical cable lines by 2030. This initiative,



Vietnam to launch two new undersea cables in 2025

By 2025, Vietnam aims to bring at least two new undersea cables into service, with plans to expand this network to eight by 2030. These upgrades



Contact Us

For datasheets, pricing, or custom telecom energy solutions, please visit:
<https://koskolong.co.za>