



Adam Tas Corridor Energy

WB Microcomputer Relay Protection Tester





WB Microcomputer Relay Protection Tester



Single-phase Relay Protection Tester (single-chip microcomputer)

Description WDJB-II relay protection tester the AC and DC voltage and current sources inside the instrument adopt the latest power supply technology, which makes the instrument reach the

Three phase relay protection microcomputer test system

Test-330 three phase microcomputer protection relay test system is the highly efficient relay test equipment of GFUVE company. It is produced by referring to technical condition for "DL/T624-2010"



RDJB-802M Microcomputer Relay Protection

RDJB-802M Microcomputer Relay Protection Tester is our company extensively listening to user opinions, summarizing the advantages and disadvantages of similar domestic products at present,

Wxjb-902 Relay Protection Tester Three Phase Micro Computer Protective



WXJB-902 Relay Protection Tester Three Phase
Micro Computer Protective Relay
Tester Description WXJB-902 Protective relay
tester combine various type of current or voltage
conveniently and has



Functional Testing of Microcomputer Protection Devices: Verifying

For testing high-voltage microcomputer protection devices, it is recommended to use a microcomputer relay protection tester capable of simultaneously outputting three-phase voltage and three-phase



HuaZheng Electric HZJB-1700 Handheld Three phase

The secondary defect elimination tester HZJB-1700 is controlled by single chip microcomputer, which is simple in function and convenient to carry. It can be



What is a microcomputer relay protection tester and its significance?

The microcomputer relay protection tester can manually or automatically test various types of voltage, current, frequency, power, impedance, harmonics, differential, synchronous relays, etc.



Micro Computer Protection Relay Tester Protective Relay Test System

Three Phase Microcomputer Relay Protection Tester Protective Relay Test System 1.Product Description WXJB-902 Microcomputer Protective Relay Tester Combine various type of current or



How to choose the type of microcomputer relay protection tester

It has the characteristics of high precision, multifunctionality, and easy operation, and can be used for testing, calibrating, and diagnosing relay protection devices in power systems.

LND-802 Microcomputer Relay Protection Tester

It can test not only various traditional relays and protection devices, but also various modern microcomputer protections, especially for transformer differential



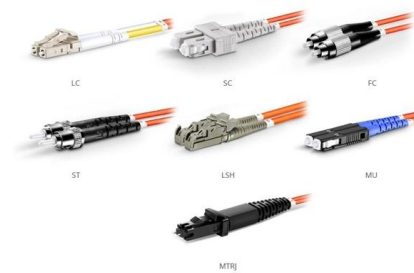
WXJB-902 Microcomputer 3 Phase Relay Protection Tester-Wuhan

Use reasonable design of the heat dissipation structure, has various reliable and perfect protection and power soft start, along with fault self-diagnosis and locking function.



What is Wrindu 3 phase Relay Protection Tester?

The RDJB-802M 3 phase relay protection tester is a high-performance, compact microcomputer relay protection tester developed by Wrindu. Designed for professionals in the field of relay protection, it



OM1 Fiber Patch Cable Family

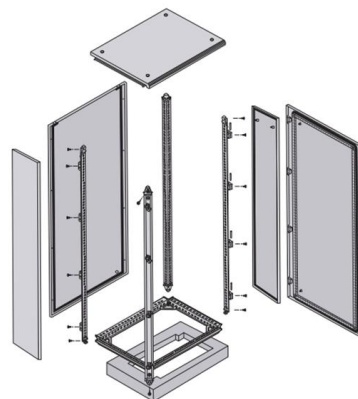


Wxjb-902 Protective Relay Tester Microcomputer Control Relay Tester

We have developed total more than 160 kinds of electrical test products cover full range: High voltage hipot tester, Circuit breaker Switchgear Tester, Transformer tester, Relay Protection Tester, CT/PT

Protection Relay Tester

TEJB-PC microcomputer protection relay tester is a new type of miniaturized microcomputer relay protection tester. This device has super little cubage and high precision. It has the advanced





How to Use a Microcomputer Relay Protection Tester-RDJB-1600Y

Method of use Starting up(1) Connect the tester power cord with AC220V outlet, start main power, after IPC start the Windows 7 system, the tester auto ente

Relay protection tester,microcomputer relay protection tester,relay

Featuring a 10.5-inch HD touchscreen, dual-core DSP processing, and robust AC/DC output capabilities, it delivers laboratory-grade accuracy for on-site testing of protective relays--ideal for field engineers



Three phase relay protection microcomputer test system

This model relay test equipment can independently finish device test in professional fields of microcomputer protection, relay protection, excitation, metering, fault recording, etc.

Wxjb-902 Protective Relay Tester Microcomputer Control Relay Tester

Protective Relay Tester Microcomputer Control Relay Test EquipmentDescription WXJB-902 Protective relay tester combine various type of current or voltage conveniently and has diversity type of



Microcomputer Relay Protection Tester

Product Description Relay protection testing device is an important testing tool for ensuring power system running safely and reliably. HDJB series



Microcomputer Protective Relay Tester-XWBOO

Zcar-1600 microcomputer relay protection tester is developed based on the standards of Technical conditions of microcomputer relay protection test device which was published by electric power



Contact Us

For datasheets, pricing, or custom telecom energy solutions, please visit:
<https://koskolong.co.za>